

# CHERY T1E Labour Time Manual 2020

## ВСТУПЛЕНИЕ

Это руководство по рабочему времени было подготовлено, чтобы предоставить стандартное рабочее время для моделей T1E при выполнении ремонта в условиях, предписанных Chery.

Это руководство относится только к моделям, перечисленным ниже:  
E4T15C+CVT25  
E4T15C+6MT  
F4J16+7DCT

Предоставляются пояснения по рабочему времени, условиям и тому, как пользоваться данным руководством. Пожалуйста, внимательно прочитайте эти пояснения.

Данное руководство передано участникам CHERY Community **без указания точного времени** в ознакомительных целях последовательности действий и номеров запчастей. Перевод только оглавления для удобства поиска.

Все права защищены. Любое подразделение или физическое лицо не имеет права воспроизводить или копировать данное руководство в любой форме и любыми средствами, а также передавать его по сети в любой форме для любых целей без письменного разрешения Chery Automobile Co., Ltd.



# ОГЛАВЛЕНИЕ:

КАК ПОЛЬЗОВАТЬСЯ ЭТИМ РУКОВОДСТВОМ. ....	01
ДВИГАТЕЛЬ МЕХАНИКА. ....	02
ЗАЖИГАНИЕ - ОХЛАЖДЕНИЕ. ....	03
ВПУСК ДВИГАТЕЛЯ - ВЫХЛОП - ТОПЛИВО. ....	04
ТРАНСМИССИЯ - КАРДАННЫЙ ВАЛ. ....	05
ПОДВЕСКА - РУЛЕВОЕ УПРАВЛЕНИЕ. ....	06
РУЛЕВАЯ - ТОРМОЗНАЯ СИСТЕМА. ....	07
ШИНЫ - КОЛЕСА. ....	08
СНАРУЖИ КУЗОВА. ....	09
ИНТЕРЬЕР КУЗОВА. ....	10
КУЗОВ ОБВЕСКА. ....	11
ЭЛЕКТРИКА. ....	12
ВЕНТИЛЯЦИЯ И КОНДИЦИОНИРОВАНИЕ. ....	13
ОБСЛУЖИВАНИЕ. ....	14



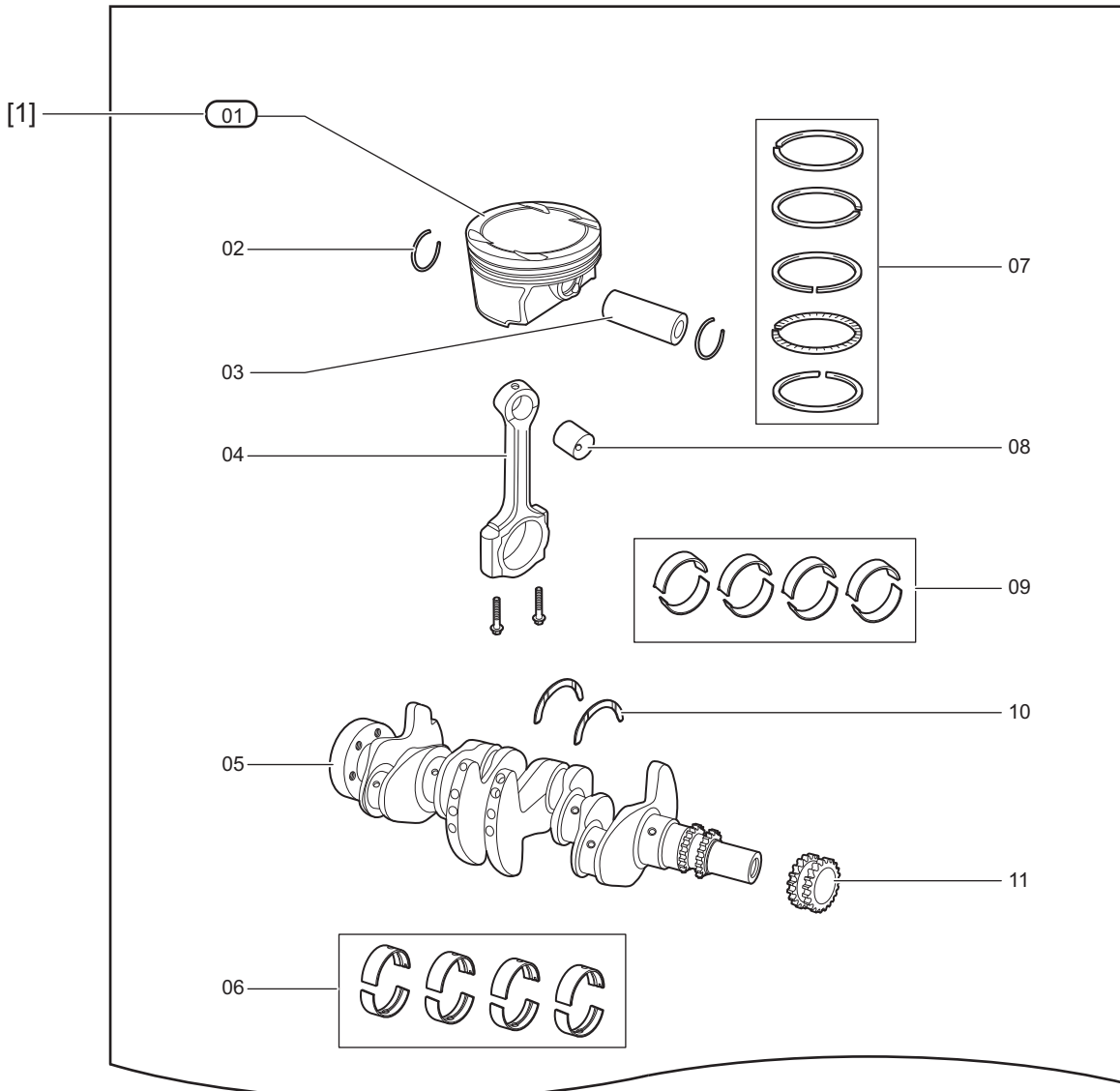
# HOW TO USE THIS MANUAL

## General Information

Следующие иллюстрации предназначены для того, чтобы показать, как читать это руководство. Иллюстрации, показанные здесь, являются только примерами.

Example 1

01



[1]: Part Sequence No.

Используйте порядковый номер детали, чтобы как можно скорее найти номер станции на нужной странице.

Example 2

No.	Part No.	Station No.	Station Name	
[2] 01	D4G15B-1009031	T116DM10090313701	Replace oil dipstick	
02	D4G15B-1009032AB	T116DM10090323751	Replace oil dipstick tube	
		Ex: T116DM10090102701	Remove and reinstall oil pan assy	
03	477F-1009021	T116DM10090213751	Replace gasket-oil pan	[6]
		Ex: T116DM10090102701	Remove and reinstall oil pan assy	
04	477F-1009012	T116DM10090122751	Remove and reinstall oil deflector-oil pan	[7]
		Ex: T116DM10090102701	Remove and reinstall oil pan assy	
05	477F-1009010	T116DM10090102701	Remove and reinstall oil pan assy	[7]
[3] D4G15-1009010				
06	480-1002017	T116DM10020172701	Remove and reinstall cup plug	[7]
07	484J-1009014	T116DM10090142701	Remove and reinstall oil drain plug	
[4] 08	480-1010021	T116DM10100213751	Replace gasket-connecting flange	
		Ex: T116DM10090102701	Remove and reinstall oil pan assy	
[5] 09	480-1010010	T116DM10100103751	Replace oil strainer assy	
		Ex: T116DM10090102701	Remove and reinstall oil pan assy	

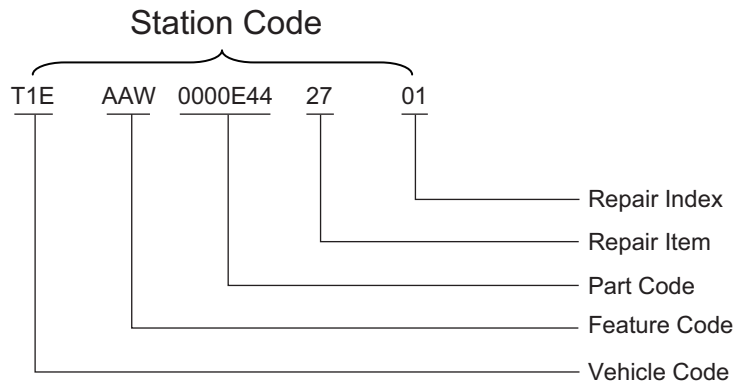
[2]: Station Sequence No.

Используйте порядковый номер станции, чтобы как можно скорее найти соответствующую часть на нужной странице.

**[3]: Station Code**

Код станции состоит из следующего:

## Example 3



- **Vehicle Code**  
В коде автомобиля используется 3-х значное число или буква для обозначения моделей, производства Chery.  
Vehicle code of T1E
- **Feature Code**  
Код функции это 3-значное число или букву для обозначения деталей в сборе, таких как двигатель, трансмиссия и т. д., которые произведены, произведены и приобретены на аутсорсинге Chery. За исключением двигателей и трансмиссий, код «ККК» используется для обозначения других деталей.

**Feature Code Chart**

Feature Code	Component	Feature Code	Component
AAW/AAY	E4T15C/F4J16	CVT/DHB	CVT25/7DCT

- **Part Code**  
Код детали состоит из 7 цифр, которые исходят из номера детали для обозначения конкретной детали. Если номер детали меньше 7-знаков, будет заполнен «0».

**01 - HOW TO USE THIS MANUAL**

- Repair Item

Repair item is made up of 2-digit and it is used to determine the repair item to be performed.

**Repair Item Chart:**

Code	Description	Code	Description	Code	Description	Code	Description
10	Check	24	Noise Elimination	43	Turning	65	Rework
11	Measurement	26	Installation	44	Reaming	70	Sealing
12	Check & Adjustment	27	Removal & Installation	45	Grinding	73	Manufacturing
13	Adjustment	28	Removal	46	Leveling	75	Welding
14	Power Check	30	Additional Installation	47	Chambering	78	Press out
15	Power Check & Adjustment	31	Modification	48	Tapping	79	Straightening
16	Maintenance	35	Disassembly & Check	49	Chambering & Tapping	80	Balancing
17	Cleaning	36	Disassembly & Reassembly	50	Correction	90	Refinishing Fore & After Painting
20	Draining	37	Replacement	52	Pore filling	91	Polishing
21	Adding	38	Matching	55	Lubricating	92	Painting
22	Draining and Filling	40	Repair	58	Loading up	95	Paint Repair
23	Vacuum and Filling	42	Drilling	60	Screwing up	97	Word Spraying
98	Sticker						

- Repair Index

It is made up of two digits showing the repair complexity, quantity of repair items, primary operations and secondary operations.

The range between "00-49" represents primary operations, which can be conducted independently. The range between "50-99" represents secondary operations, which cannot be conducted independently and need to be combined with corresponding primary operations to finish the repair work.

The complexity of repair item is indicated by the first digit ranging from 0 to 9, among which, based on the complexity of the repair, 0-4 for primary operations and 5-9 for secondary operations.

The quantity of the item to be repaired is indicated by the second digit. "1" indicates there is one item to be repaired for a car; "2" is two items, and so on. As long as the items to be repaired exceed nine, the digit "9" is used. In case of the repair item is about some function system instead of a component or a part, the digit "0" is used.



**[4]: Repair Instructions**

Briefly explain repair items in the form of text.

**[5]: Part No.****[6]: Additional Station**

Ex is the abbreviation of Exclude.

Additional station indicates the repair station needs to be performed before proceeding to the next repair station. When calculating labour time, add the labour time of additional station.

**Abbreviations**

Abbreviations	Meaning	Abbreviations	Meaning
A/C	Air Conditioning	LWR	Lower
ABS	Anti-Lock Brake System	MD	Middle
ASSY	Assembly	MT	Manual Transmission
BCM	Body Control Module	OTR	Outer
CD	Compact Disc	PCV	Positive Crankcase Ventilation
CVT	Continuously Variable Transmission	RH	Right
FR	Front	RR	Rear
HVAC	Heating, Ventilation and Air Conditioning	SD	Side
INR	Inner	UPR	Upper
LH	Left	W/	With
W/O	Without		

**[7]: Labour Time Standard**

Labour time standard: The time to a series of activities (including vehicle reception, malfunctions judgment, parts procurement, servicing & operating, vehicle delivery, etc.) is included.

For labour time, every 100 units is one hour.

Calculation of labour time:

**NOTE**

- When calculating working hours, only repairing time of the primary operations would be given directly. In case of both primary and secondary operations are co-existed, the working hours are calculated by adding the time amount for secondary operations to that for primary operations.

- w/o Additional Station

As shown in the illustration, the labour time is 20 if there is no additional station.

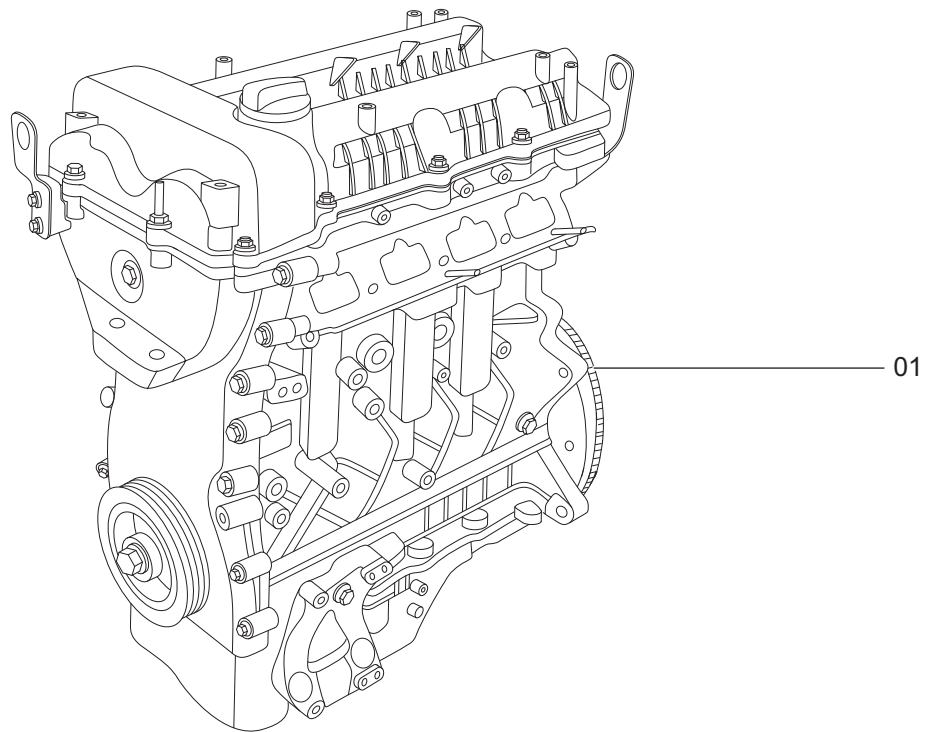
- w/ Additional Station

As shown in the illustration, if there is additional station, calculation of labour time is  $10 + 120 = 130$ .



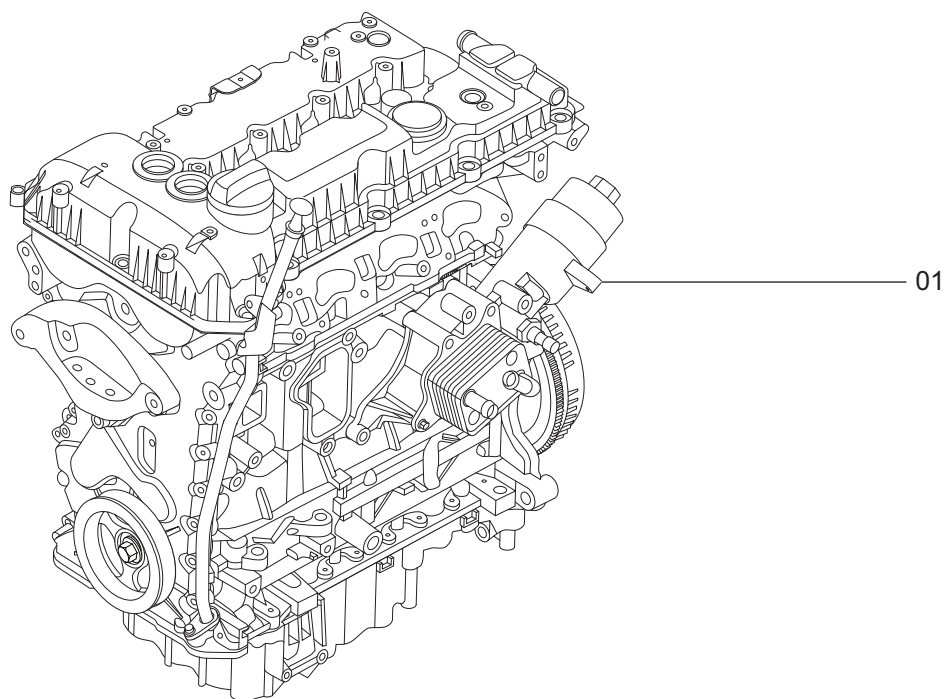
## ENGINE MECHANICAL

Engine assy (E4T15C).....	02-2
Engine assy (F4J16).....	02-4
Engine trim cover (E4T15C) .....	02-6
Engine trim cover (F4J16) .....	02-8
Cylinder head cover (E4T15C) .....	02-10
Cylinder head cover (F4J16) .....	02-12
Cylinder head (E4T15C).....	02-14
Cylinder head (F4J16).....	02-30
Cylinder block, oil pump, flywheel (E4T15C).....	02-46
Cylinder block, oil pump, flywheel (F4J16).....	02-48
Crankshaft connecting rod mechanism (E4T15C) .....	02-52
Crankshaft connecting rod mechanism (F4J16) .....	02-60
Timing, gear train (E4T15C).....	02-68
Timing, gear train (F4J16).....	02-72
Power assy mounting system (E4T15C) .....	02-76
Power assy mounting system (F4J16) .....	02-78



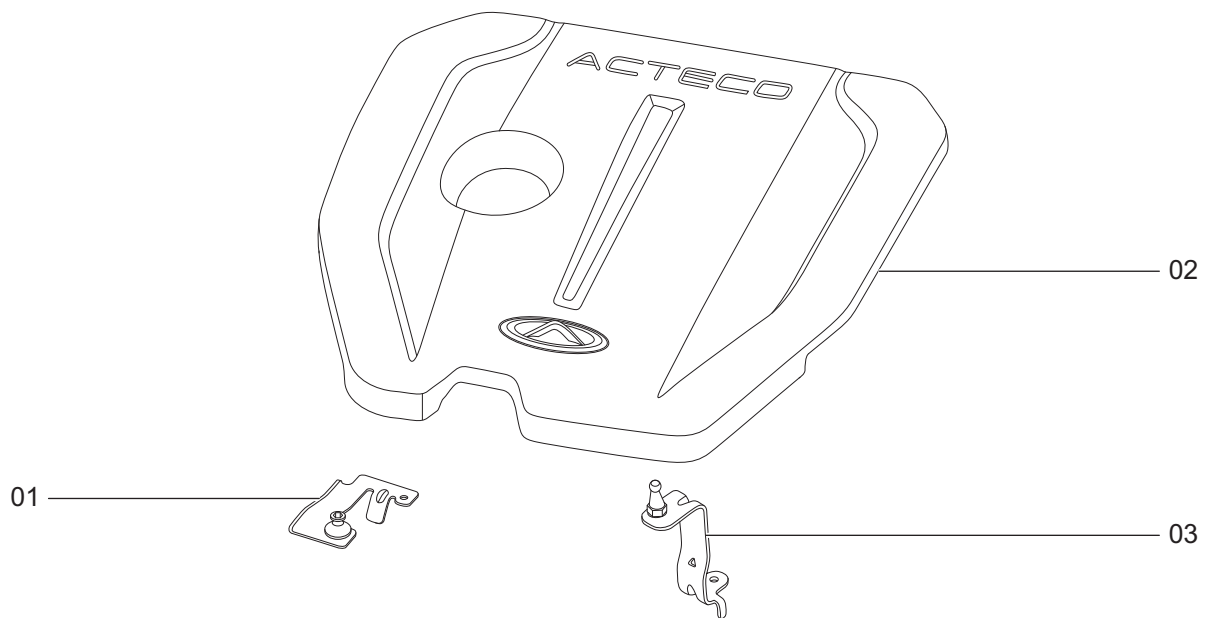
T1E020010

No.	Part No.	Station No.	Station Name	
01	DM1-BJ0000E93AA	T1EAAW0000E932701	Remove and reinstall E4T15C engine assy	
		T1EAAW0000E933651	Disassemble and reassemble E4T15C engine assy	
		Ex: T1EAAW0000E932701	Remove and reinstall E4T15C engine assy	



T1E020020

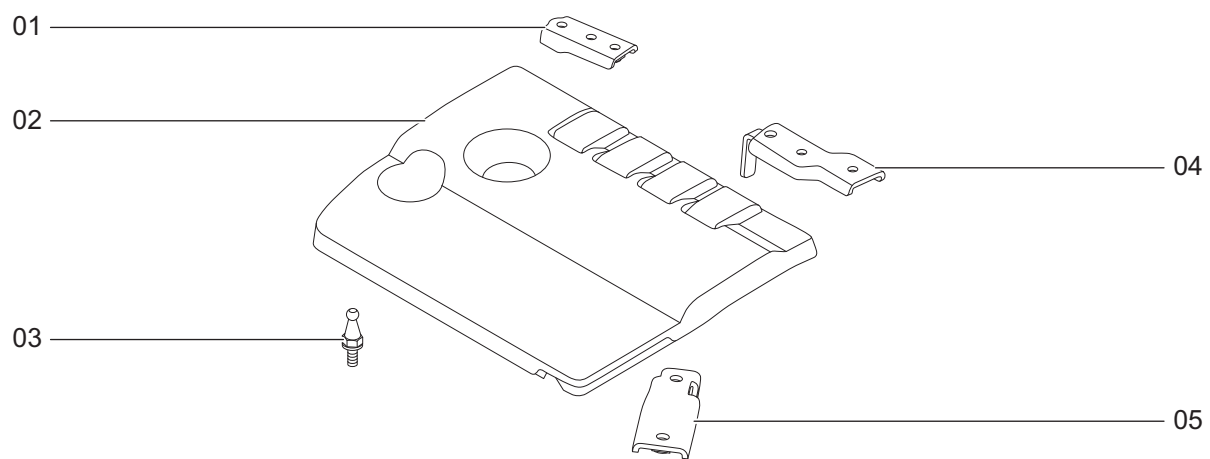
No.	Part No.	Station No.	Station Name	
01	DT1-0000E83AA	T1EAAY0000E832701	Remove and reinstall F4J16 engine assy	
		T1EAAY0000E833651	Disassemble and reassemble F4J16 engine assy	
		Ex: T1EAAY0000E832701	Remove and reinstall F4J16 engine assy	



T1E020030

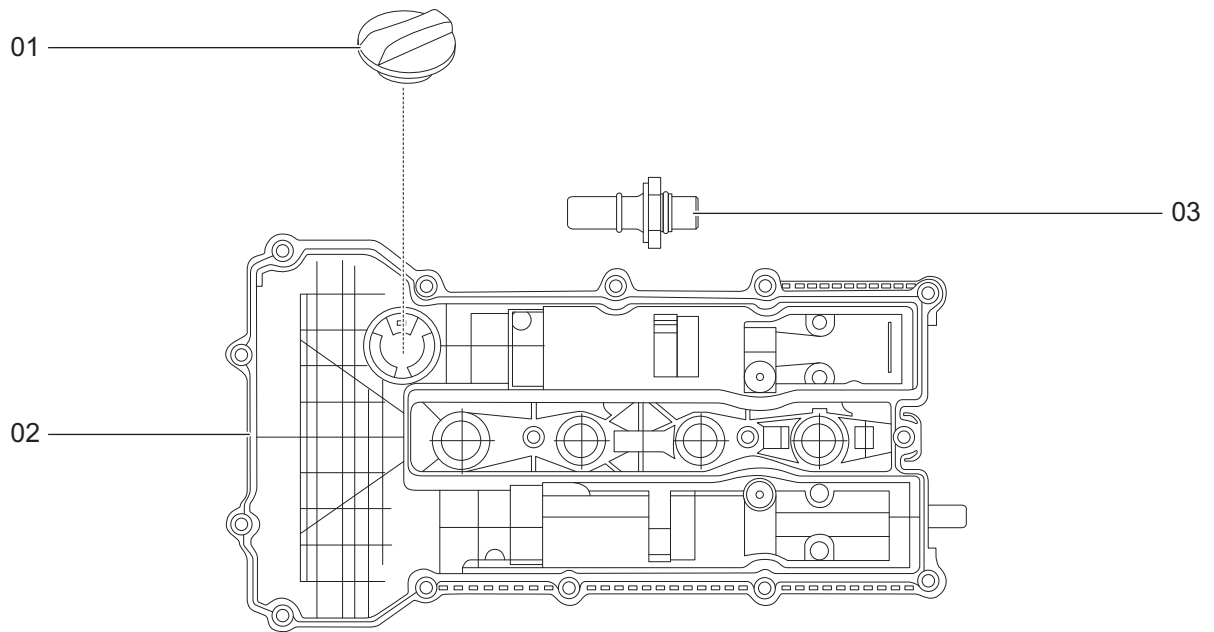


No.	Part No.	Station No.	Station Name	
01	T15-1031210AD	T1EAAW10312102701	Remove and reinstall Trim cover bracket assy I	
02	J60-1031110AB	T1EAAW10311102701	Remove and reinstall Engine trim cover assy	
03	T15-1031220AD	T1EAAW10312202701	Remove and reinstall Trim cover bracket assy II	



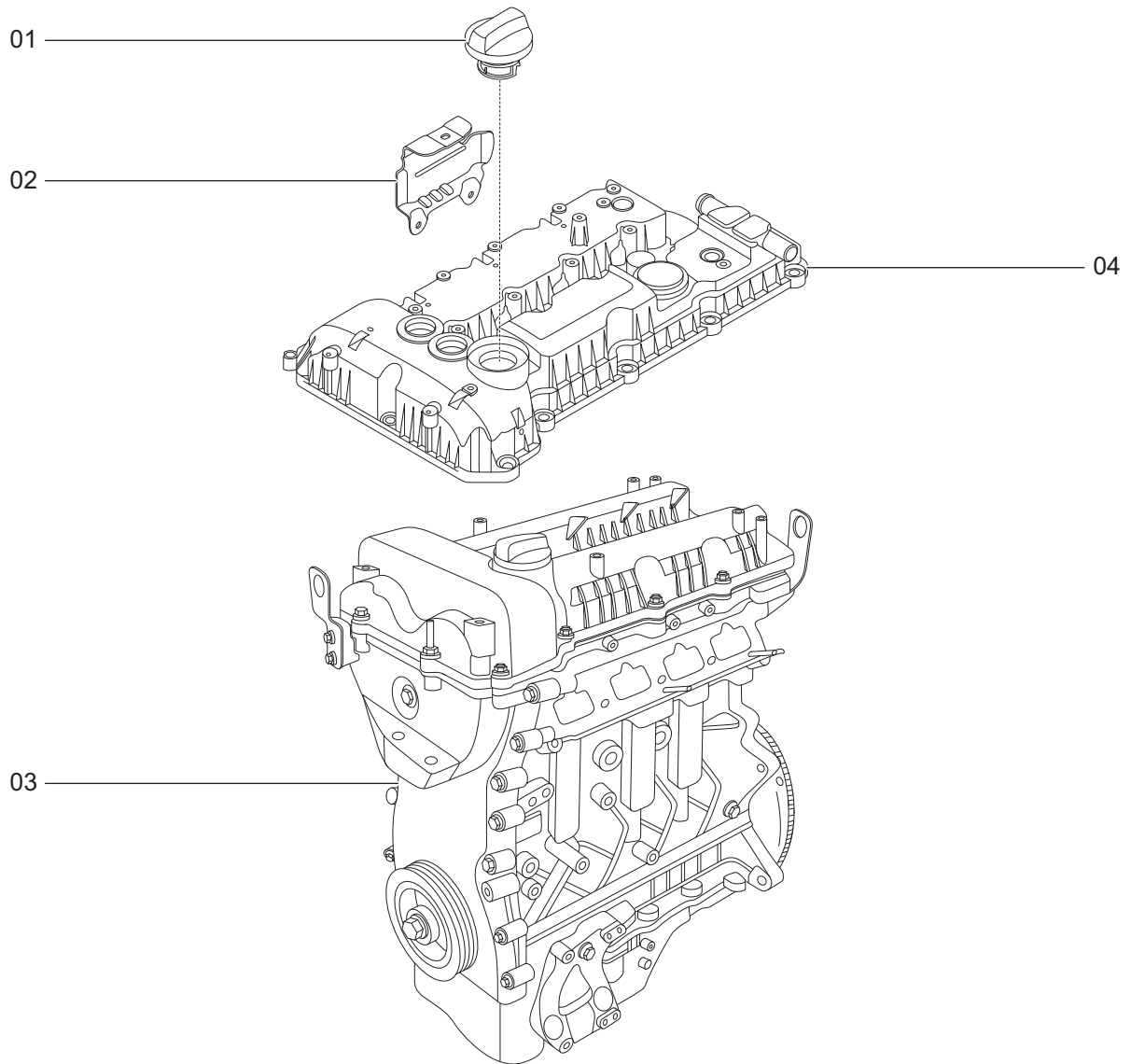
T1E020040

No.	Part No.	Station No.	Station Name	
01	119000026AA	T1EAAY90000262701	Remove and reinstall Hood cover bracket	
02	151000032AA	T1EAAY10000322701	Remove and reinstall Engine trim cover assy	
03	M11-1031211DC	T1EAAY10312112701	Remove and reinstall Tappet	
04	119000022AA	T1EAAY90000222701	Remove and reinstall Hood cover bracket	
05	119000025AA	T1EAAY90000252701	Remove and reinstall Hood cover bracket	



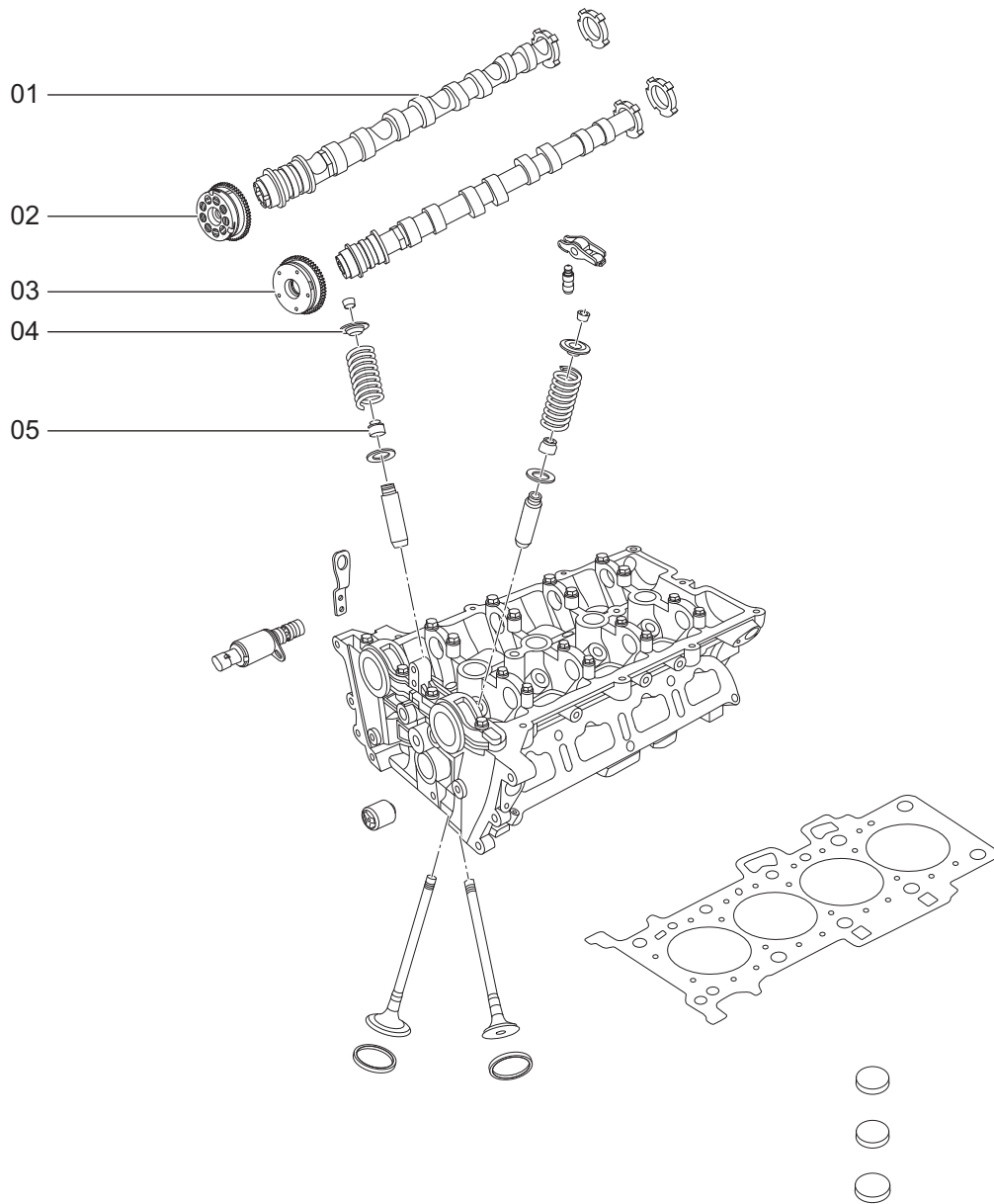
T1E020050

No.	Part No.	Station No.	Station Name	
01	473F-1003050	T1EAAW10030502701	Remove and reinstall Oil filler cap assy	
02	E4T15C-1003030	T1EAAW10030302701	Remove and reinstall Valve chamber cover assy	
03	E4G15C-1014040	T1EAAW10140402701	Remove and reinstall PCV valve	



T1E020060

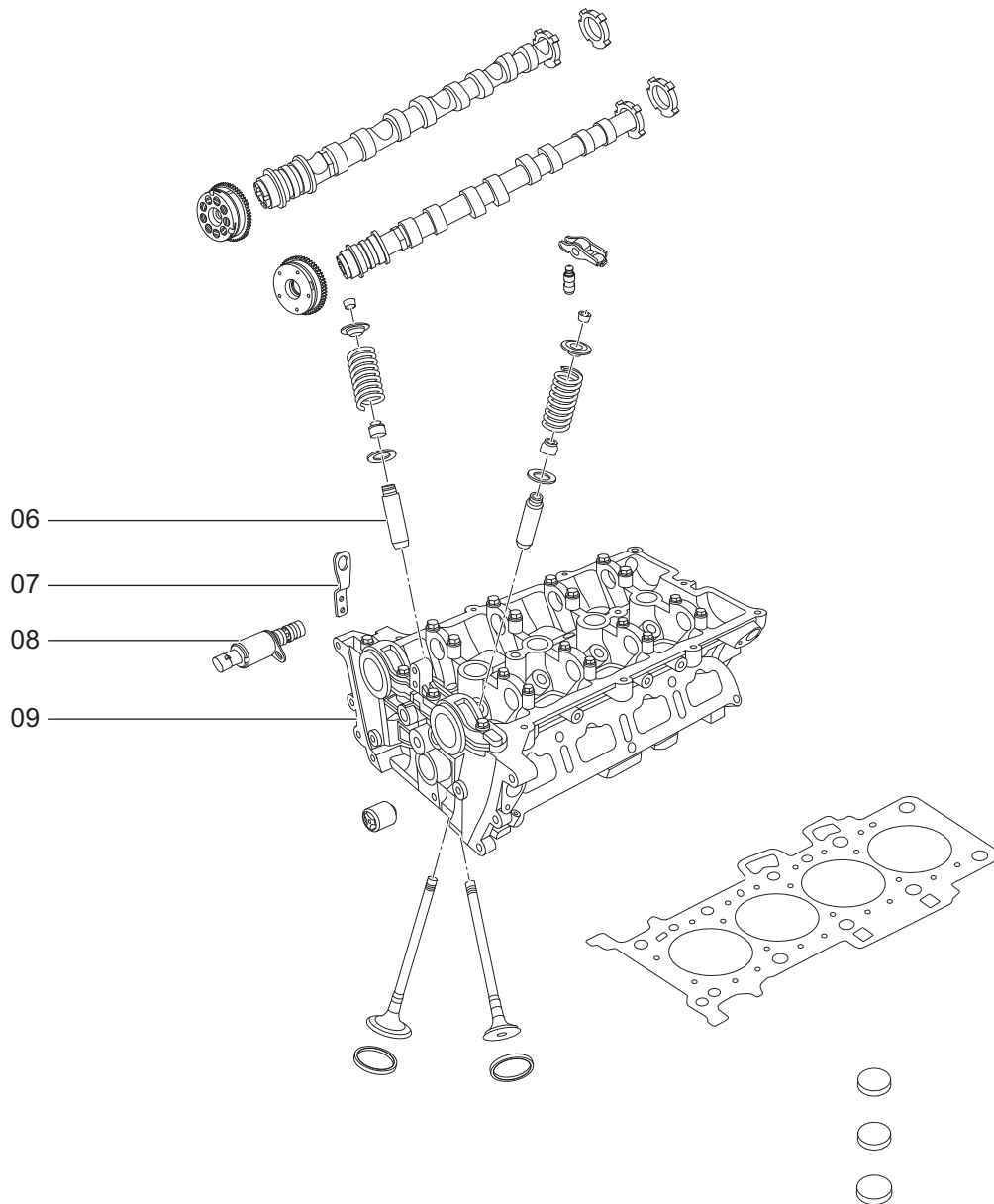
No.	Part No.	Station No.	Station Name	
01	473F-1003050	T1EAAY10030502701	Remove and reinstall Oil filler cap assy	
02	F4J16-1003058	T1EAAY10030582701	Remove and reinstall Heat insulator - cylinder head cover	
03	F4J16-BJ1003001AA	T1EAAY10030012751	Remove and reinstall F4J16 cylinder head assy	
		Ex: T1EAAY10210802751	Remove and reinstall Timing chain assy	
		Ex: T1EAAY10210122701	Remove and reinstall Sprocket cover	
		T1EAAY10030013651	Disassemble and reassemble F4J16 cylinder head assy	
		Ex: T1EAAY10030012751	Remove and reinstall F4J16 cylinder head assy	
		Ex: T1EAAY10210802751	Remove and reinstall Timing chain assy	
Ex: T1EAAY10210122701	Remove and reinstall Sprocket cover			
04	F4J16-1003050	T1EAAY10030503701	Replace Valve chamber cover assy	



T1E020070

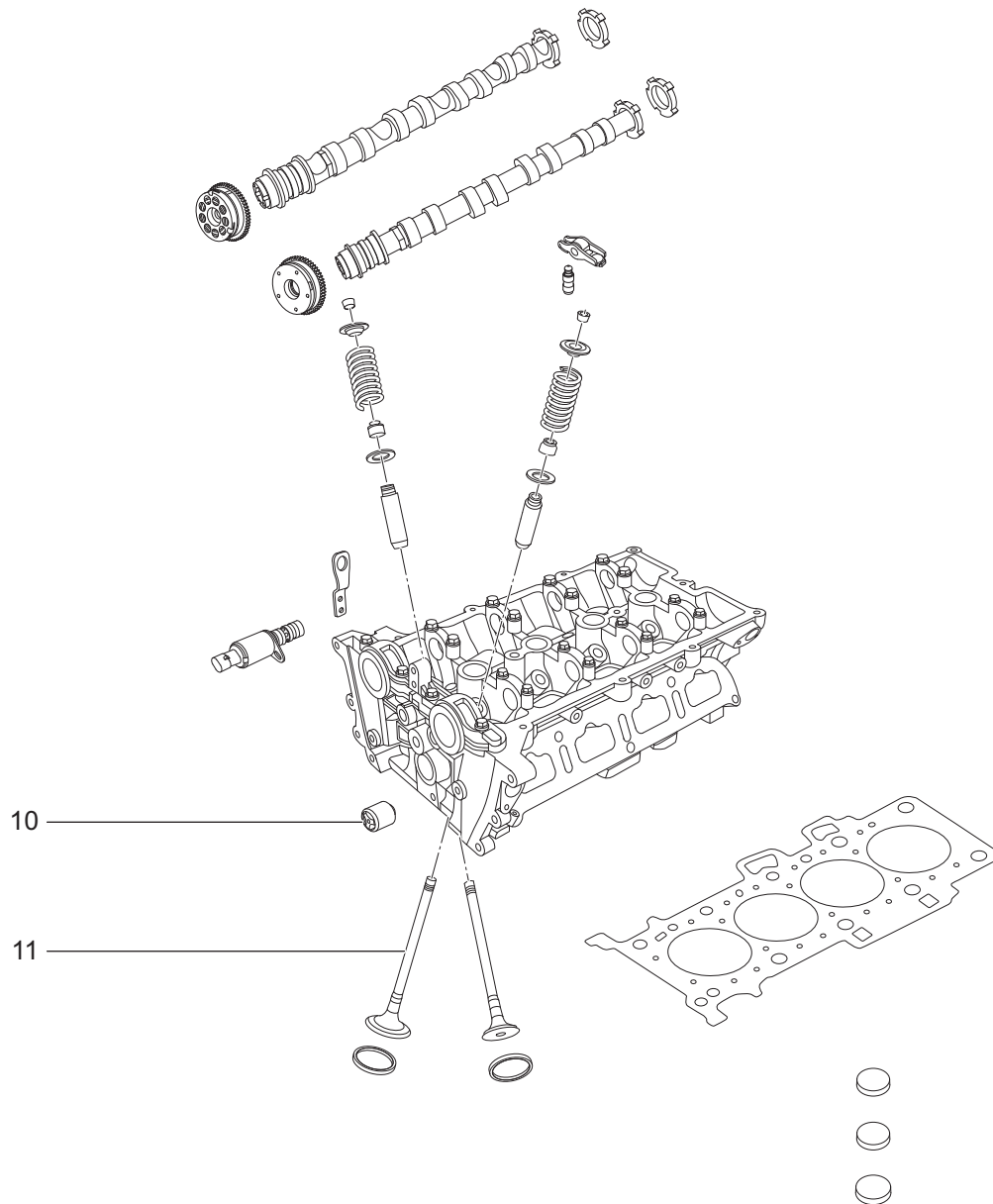


No.	Part No.	Station No.	Station Name	
01	E4G16-1006010BA	T1EAAW10060102751	Remove and reinstall Intake camshaft assy	
		Ex: T1EAAW10060402751	Remove and reinstall Intake camshaft phaser assy	
		Ex: T1EAAW10070802751	Remove and reinstall Timing chain assy	
		Ex: T1EAAW10070832701	Remove and reinstall Timing chain cover	
02	E4G16-1006060BB	T1EAAW10060602751	Remove and reinstall Exhaust camshaft phaser assy	
		Ex: T1EAAW10070802751	Remove and reinstall Timing chain assy	
		Ex: T1EAAW10070832701	Remove and reinstall Timing chain cover	
03	E4G16-1006040BB	T1EAAW10060402751	Remove and reinstall Intake camshaft phaser assy	
		Ex: T1EAAW10070802751	Remove and reinstall Timing chain assy	
		Ex: T1EAAW10070832701	Remove and reinstall Timing chain cover	
04	473H-1007015	T1EAAW10070152751	Remove and reinstall Valve spring UPR seat	
		Ex: T1EAAW10030103651	Disassemble and reassemble E4T15B cylinder head assy	
		Ex: T1EAAW10030102751	Remove and reinstall E4T15B cylinder head assy	
		Ex: T1EAAW10070802751	Remove and reinstall Timing chain assy	
		Ex: T1EAAW10070832701	Remove and reinstall Timing chain cover	
05	481H-1007020	T1EAAW10070202751	Remove and reinstall Valve oil seal	
		Ex: T1EAAW10030103651	Disassemble and reassemble E4T15B cylinder head assy	
		Ex: T1EAAW10030102751	Remove and reinstall E4T15B cylinder head assy	
		Ex: T1EAAW10070802751	Remove and reinstall Timing chain assy	
		Ex: T1EAAW10070832701	Remove and reinstall Timing chain cover	



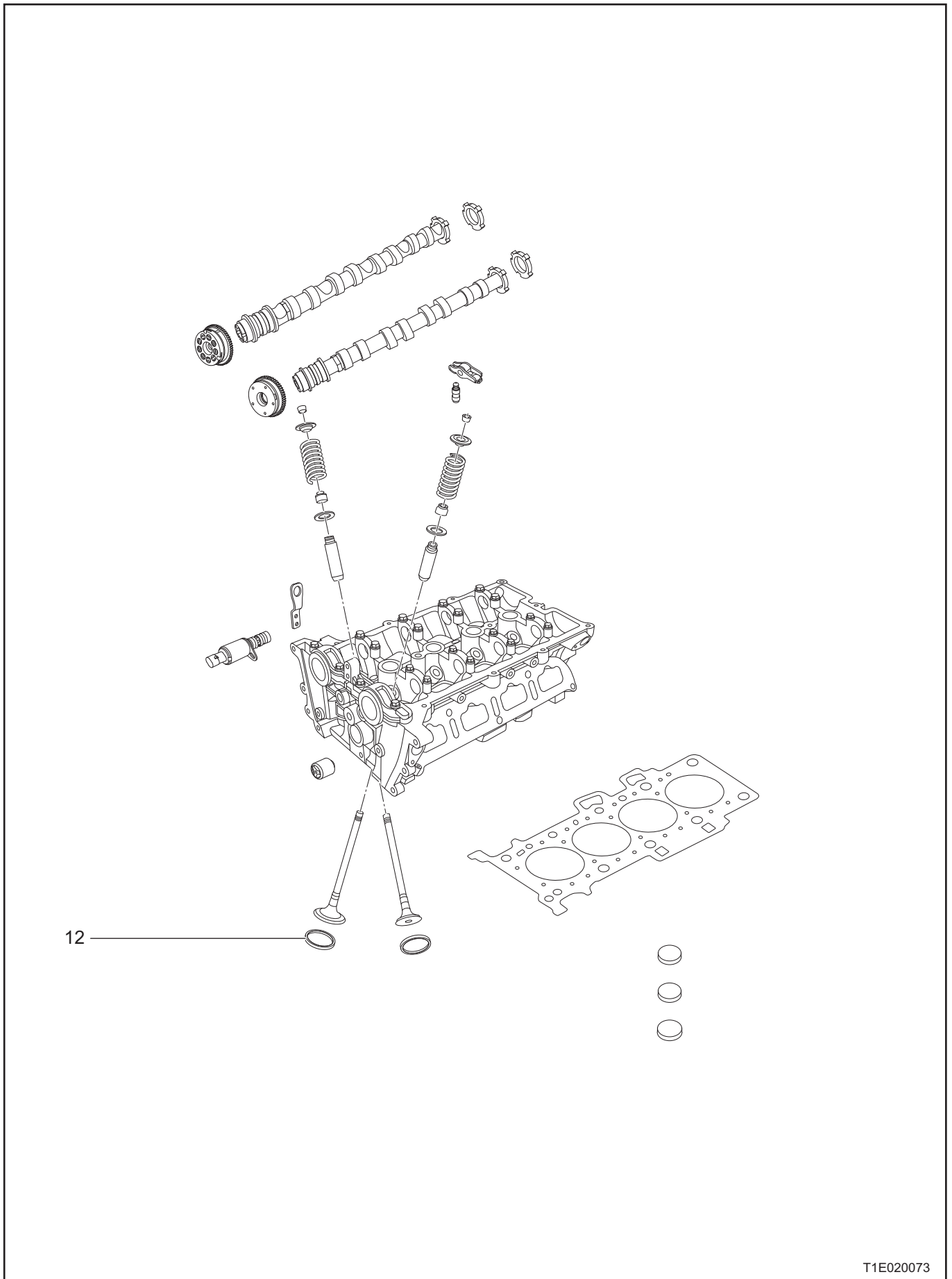
T1E020071

No.	Part No.	Station No.	Station Name	
06	E4T15B-1003013	T1EAAW10030132751	Remove and reinstall 1 Valve guide	
		Ex: T1EAAW10030103651	Disassemble and reassemble E4T15B cylinder head assy	
		Ex: T1EAAW10030102751	Remove and reinstall E4T15B cylinder head assy	
		Ex: T1EAAW10070802751	Remove and reinstall Timing chain assy	
		Ex: T1EAAW10070832701	Remove and reinstall Timing chain cover	
		T1EAAW10030132752	Remove and reinstall 2 Valve guide	
		Ex: T1EAAW10030103651	Disassemble and reassemble E4T15B cylinder head assy	
		Ex: T1EAAW10030102751	Remove and reinstall E4T15B cylinder head assy	
		Ex: T1EAAW10070802751	Remove and reinstall Timing chain assy	
		Ex: T1EAAW10070832701	Remove and reinstall Timing chain cover	
		T1EAAW10030132754	Remove and reinstall 4 Valve guide	
		Ex: T1EAAW10030103651	Disassemble and reassemble E4T15B cylinder head assy	
		Ex: T1EAAW10030102751	Remove and reinstall E4T15B cylinder head assy	
		Ex: T1EAAW10070802751	Remove and reinstall Timing chain assy	
		Ex: T1EAAW10070832701	Remove and reinstall Timing chain cover	
		T1EAAW10030132756	Remove and reinstall 6 Valve guide	
		Ex: T1EAAW10030103651	Disassemble and reassemble E4T15B cylinder head assy	
		Ex: T1EAAW10030102751	Remove and reinstall E4T15B cylinder head assy	
		Ex: T1EAAW10070802751	Remove and reinstall Timing chain assy	
		Ex: T1EAAW10070832701	Remove and reinstall Timing chain cover	
T1EAAW10030132758	Remove and reinstall 8 Valve guide			
Ex: T1EAAW10030103651	Disassemble and reassemble E4T15B cylinder head assy			
Ex: T1EAAW10030102751	Remove and reinstall E4T15B cylinder head assy			
Ex: T1EAAW10070802751	Remove and reinstall Timing chain assy			
Ex: T1EAAW10070832701	Remove and reinstall Timing chain cover			
07	E4G16-1003085	T1EAAW10030852701	Remove and reinstall FR lifting eye	
08	E4G16-3611091	T1EAAW36110912701	Remove and reinstall Camshaft phaser assy control valve	
09	E4T15B-1003010	T1EAAW10030102751	Remove and reinstall E4T15B cylinder head assy	
		Ex: T1EAAW10070802751	Remove and reinstall Timing chain assy	
		Ex: T1EAAW10070832701	Remove and reinstall Timing chain cover	
		T1EAAW10030103651	Disassemble and reassemble E4T15B cylinder head assy	
		Ex: T1EAAW10030102751	Remove and reinstall E4T15B cylinder head assy	
		Ex: T1EAAW10070802751	Remove and reinstall Timing chain assy	
Ex: T1EAAW10070832701	Remove and reinstall Timing chain cover			



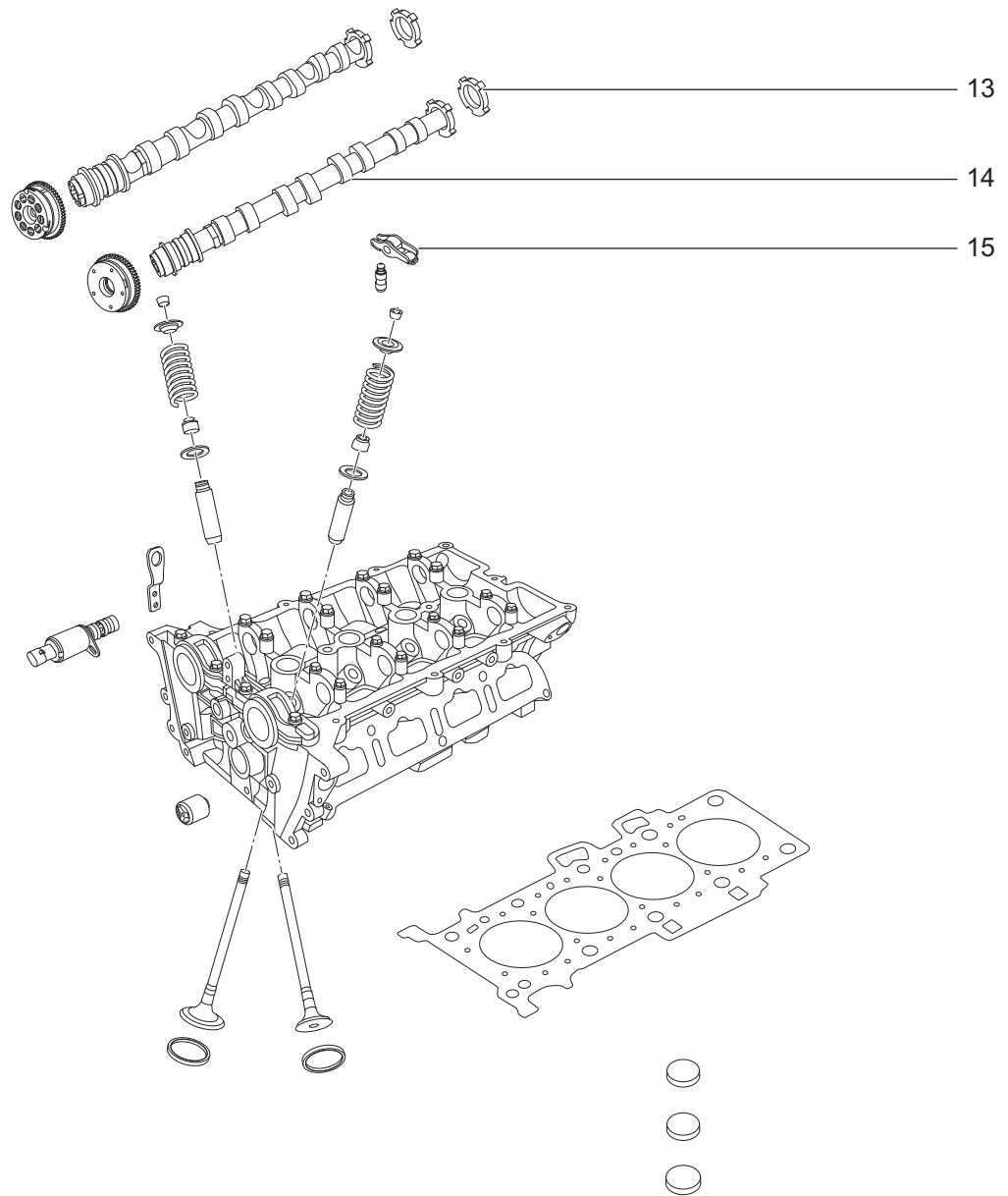
T1E020072

No.	Part No.	Station No.	Station Name	
10	F4J16-1003034	T1EAAW10030342701	Remove and reinstall Vacuum system one-way valve	
11	E4G16-1007011	T1EAAW10070112751	Remove and reinstall 1 Intake valve	
		Ex: T1EAAW10030103651	Disassemble and reassemble E4T15B cylinder head assy	
		Ex: T1EAAW10030102751	Remove and reinstall E4T15B cylinder head assy	
		Ex: T1EAAW10070802751	Remove and reinstall Timing chain assy	
		Ex: T1EAAW10070832701	Remove and reinstall Timing chain cover	
		T1EAAW10070112752	Remove and reinstall 2 Intake valve	
		Ex: T1EAAW10030103651	Disassemble and reassemble E4T15B cylinder head assy	
		Ex: T1EAAW10030102751	Remove and reinstall E4T15B cylinder head assy	
		Ex: T1EAAW10070802751	Remove and reinstall Timing chain assy	
		Ex: T1EAAW10070832701	Remove and reinstall Timing chain cover	
		T1EAAW10070112754	Remove and reinstall 4 Intake valve	
		Ex: T1EAAW10030103651	Disassemble and reassemble E4T15B cylinder head assy	
		Ex: T1EAAW10030102751	Remove and reinstall E4T15B cylinder head assy	
		Ex: T1EAAW10070802751	Remove and reinstall Timing chain assy	
		Ex: T1EAAW10070832701	Remove and reinstall Timing chain cover	
		T1EAAW10070112756	Remove and reinstall 6 Intake valve	
		Ex: T1EAAW10030103651	Disassemble and reassemble E4T15B cylinder head assy	
		Ex: T1EAAW10030102751	Remove and reinstall E4T15B cylinder head assy	
		Ex: T1EAAW10070802751	Remove and reinstall Timing chain assy	
		Ex: T1EAAW10070832701	Remove and reinstall Timing chain cover	
		T1EAAW10070112758	Remove and reinstall 8 Intake valve	
		Ex: T1EAAW10030103651	Disassemble and reassemble E4T15B cylinder head assy	
		Ex: T1EAAW10030102751	Remove and reinstall E4T15B cylinder head assy	
		Ex: T1EAAW10070802751	Remove and reinstall Timing chain assy	
		Ex: T1EAAW10070832701	Remove and reinstall Timing chain cover	
		T1EAAW10070114558	Grind 8 Intake valve	
		Ex: T1EAAW10030103651	Disassemble and reassemble E4T15B cylinder head assy	
		Ex: T1EAAW10030102751	Remove and reinstall E4T15B cylinder head assy	
		Ex: T1EAAW10070802751	Remove and reinstall Timing chain assy	
		Ex: T1EAAW10070832701	Remove and reinstall Timing chain cover	



T1E020073

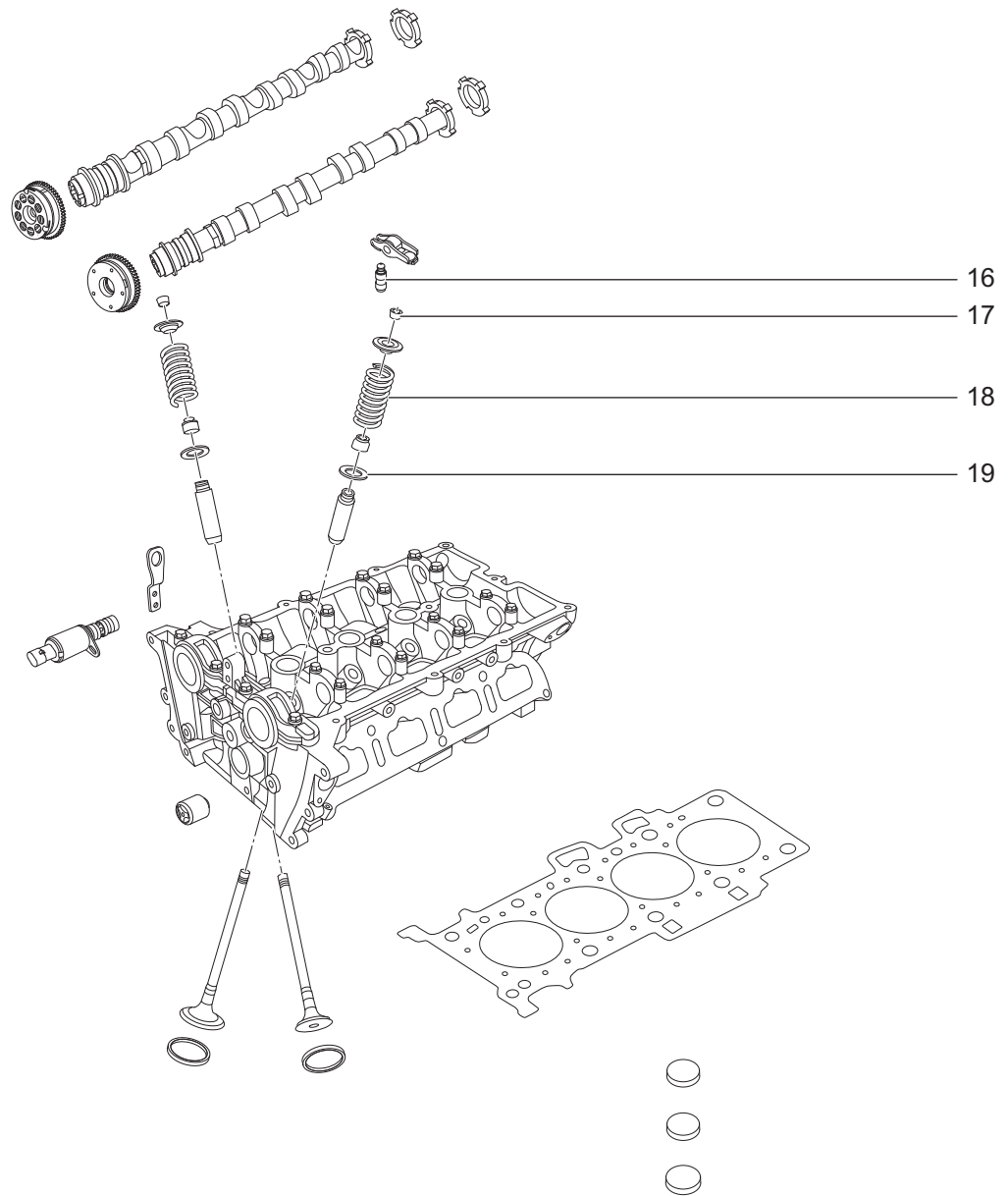
No.	Part No.	Station No.	Station Name	
12	E4G16-1003021	T1EAAW10030212751	Remove and reinstall 1 Intake valve seat ring	
		Ex: T1EAAW10030103651	Disassemble and reassemble E4T15B cylinder head assy	
		Ex: T1EAAW10030102751	Remove and reinstall E4T15B cylinder head assy	
		Ex: T1EAAW10070802751	Remove and reinstall Timing chain assy	
		Ex: T1EAAW10070832701	Remove and reinstall Timing chain cover	
		T1EAAW10030212752	Remove and reinstall 2 Intake valve seat ring	
		Ex: T1EAAW10030103651	Disassemble and reassemble E4T15B cylinder head assy	
		Ex: T1EAAW10030102751	Remove and reinstall E4T15B cylinder head assy	
		Ex: T1EAAW10070802751	Remove and reinstall Timing chain assy	
		Ex: T1EAAW10070832701	Remove and reinstall Timing chain cover	
		T1EAAW10030212754	Remove and reinstall 4 Intake valve seat ring	
		Ex: T1EAAW10030103651	Disassemble and reassemble E4T15B cylinder head assy	
		Ex: T1EAAW10030102751	Remove and reinstall E4T15B cylinder head assy	
		Ex: T1EAAW10070802751	Remove and reinstall Timing chain assy	
		Ex: T1EAAW10070832701	Remove and reinstall Timing chain cover	
		T1EAAW10030212756	Remove and reinstall 6 Intake valve seat ring	
		Ex: T1EAAW10030103651	Disassemble and reassemble E4T15B cylinder head assy	
		Ex: T1EAAW10030102751	Remove and reinstall E4T15B cylinder head assy	
		Ex: T1EAAW10070802751	Remove and reinstall Timing chain assy	
		Ex: T1EAAW10070832701	Remove and reinstall Timing chain cover	
		T1EAAW10030212758	Remove and reinstall 8 Intake valve seat ring	
		Ex: T1EAAW10030103651	Disassemble and reassemble E4T15B cylinder head assy	
		Ex: T1EAAW10030102751	Remove and reinstall E4T15B cylinder head assy	
		Ex: T1EAAW10070802751	Remove and reinstall Timing chain assy	
		Ex: T1EAAW10070832701	Remove and reinstall Timing chain cover	



T1E020074

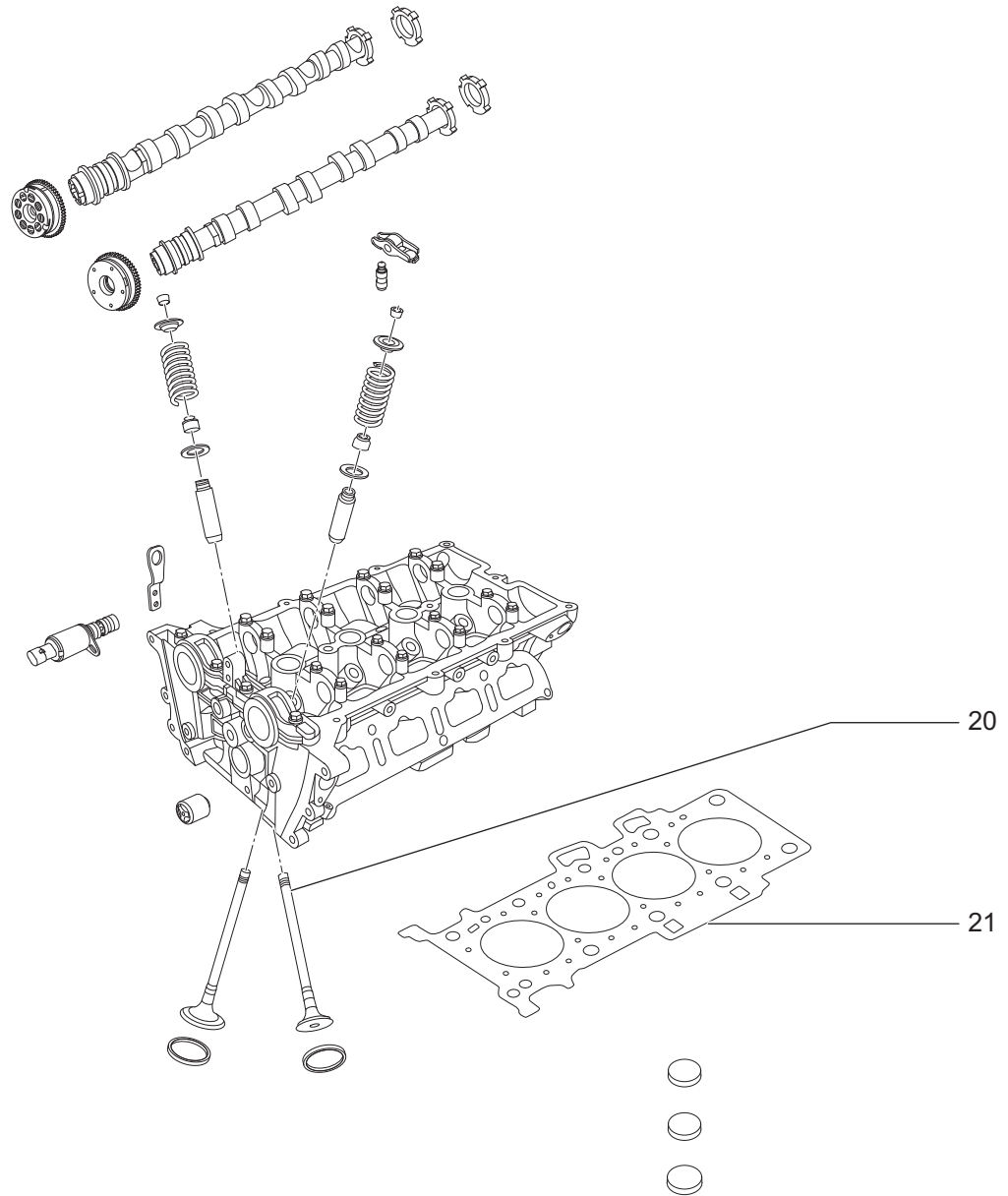


No.	Part No.	Station No.	Station Name	
13	481H-1006019	T1EAAW10060192751	Remove and reinstall Signal wheel-Intake camshaft position sensor	
		Ex: T1EAAW10060102751	Remove and reinstall Intake camshaft assy	
		Ex: T1EAAW10060402751	Remove and reinstall Intake camshaft phaser assy	
		Ex: T1EAAW10070802751	Remove and reinstall Timing chain assy	
		Ex: T1EAAW10070832701	Remove and reinstall Timing chain cover	
		T1EAAW10060192711	Remove and reinstall Signal wheel-exhaust camshaft position sensor	
		Ex: T1EAAW10060302751	Remove and reinstall Exhaust camshaft assy	
		Ex: T1EAAW10060602751	Remove and reinstall Exhaust camshaft phaser assy	
		Ex: T1EAAW10070802751	Remove and reinstall Timing chain assy	
		Ex: T1EAAW10070832701	Remove and reinstall Timing chain cover	
14	E4T15B-1006030	T1EAAW10060302751	Remove and reinstall Exhaust camshaft assy	
		Ex: T1EAAW10060602751	Remove and reinstall Exhaust camshaft phaser assy	
		Ex: T1EAAW10070802751	Remove and reinstall Timing chain assy	
		Ex: T1EAAW10070832701	Remove and reinstall Timing chain cover	
15	481H-1007030A1	T1EAAW10070302751	Remove and reinstall Rocker arm assy	
		Ex: T1EAAW10060102751	Remove and reinstall Intake camshaft assy	
		Ex: T1EAAW10060402751	Remove and reinstall Intake camshaft phaser assy	
		Ex: T1EAAW10070802751	Remove and reinstall Timing chain assy	
		Ex: T1EAAW10070832701	Remove and reinstall Timing chain cover	
	481H-1007030	T1EAAW10070302761	Remove and reinstall Rocker arm assy	
		Ex: T1EAAW10060102751	Remove and reinstall Intake camshaft assy	
		Ex: T1EAAW10060402751	Remove and reinstall Intake camshaft phaser assy	
		Ex: T1EAAW10070802751	Remove and reinstall Timing chain assy	
		Ex: T1EAAW10070832701	Remove and reinstall Timing chain cover	
	481H-1007030AB	T1EAAW10070302762	Remove and reinstall Rocker arm assy	
		Ex: T1EAAW10060102751	Remove and reinstall Intake camshaft assy	
		Ex: T1EAAW10060402751	Remove and reinstall Intake camshaft phaser assy	
		Ex: T1EAAW10070802751	Remove and reinstall Timing chain assy	
		Ex: T1EAAW10070832701	Remove and reinstall Timing chain cover	



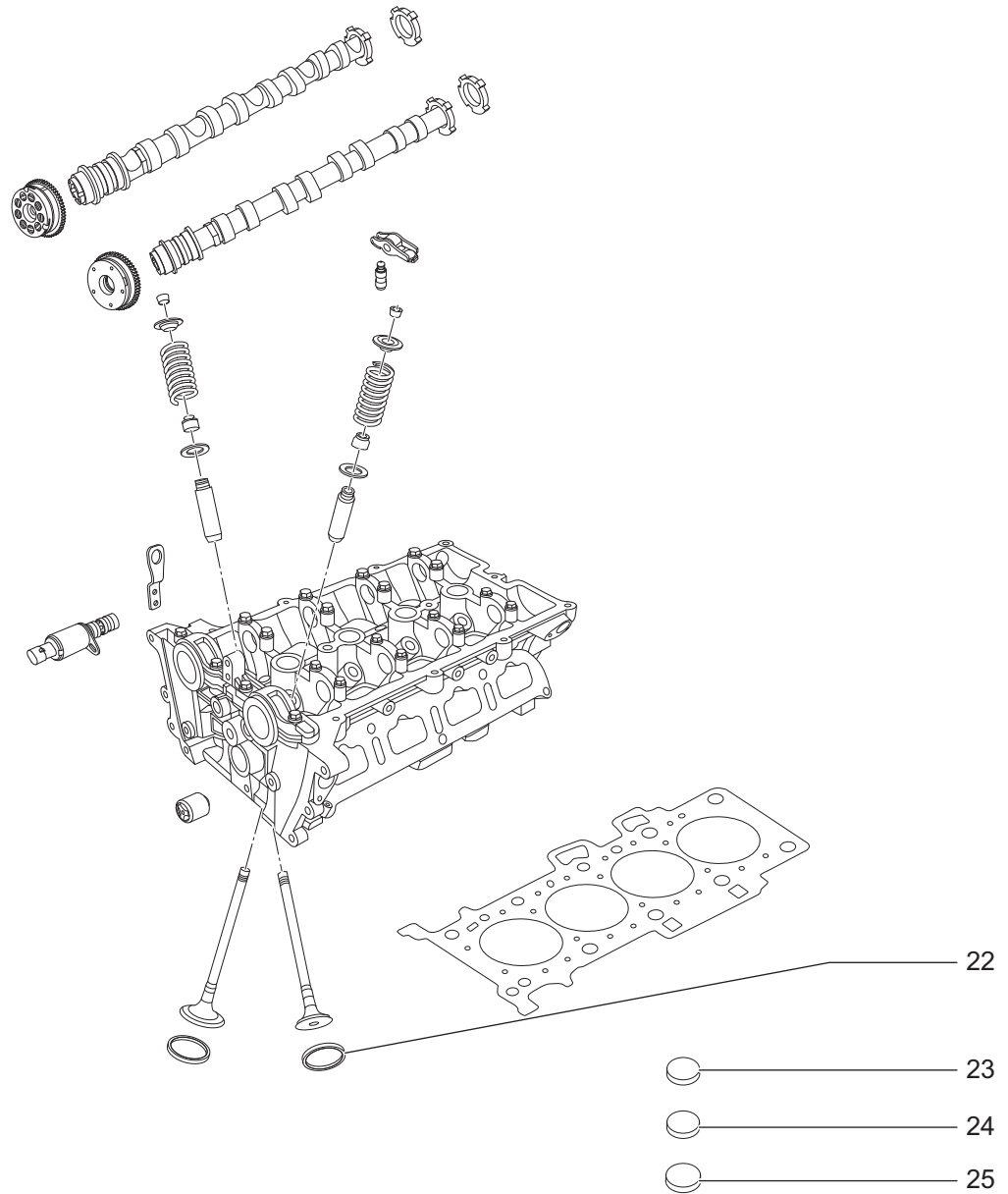
T1E020075

No.	Part No.	Station No.	Station Name	
16	481H-1007040A1	T1EAAW10070402751	Remove and reinstall Hydraulic tappet assy	
		Ex: T1EAAW10060102751	Remove and reinstall Intake camshaft assy	
		Ex: T1EAAW10060402751	Remove and reinstall Intake camshaft phaser assy	
		Ex: T1EAAW10070802751	Remove and reinstall Timing chain assy	
	481H-1007040	Ex: T1EAAW10070832701	Remove and reinstall Timing chain cover	
		T1EAAW10070402761	Remove and reinstall Hydraulic tappet assy	
		Ex: T1EAAW10060102751	Remove and reinstall Intake camshaft assy	
		Ex: T1EAAW10060402751	Remove and reinstall Intake camshaft phaser assy	
	481H-1007040AB	Ex: T1EAAW10070802751	Remove and reinstall Timing chain assy	
		Ex: T1EAAW10070832701	Remove and reinstall Timing chain cover	
		T1EAAW10070402762	Remove and reinstall Hydraulic tappet assy	
		Ex: T1EAAW10060102751	Remove and reinstall Intake camshaft assy	
481H-1007018	Ex: T1EAAW10060402751	Remove and reinstall Intake camshaft phaser assy		
	Ex: T1EAAW10070802751	Remove and reinstall Timing chain assy		
	Ex: T1EAAW10070832701	Remove and reinstall Timing chain cover		
	T1EAAW10070182751	Remove and reinstall Valve lock block		
17	481H-1007018	Ex: T1EAAW10030103651	Disassemble and reassemble E4T15B cylinder head assy	
		Ex: T1EAAW10030102751	Remove and reinstall E4T15B cylinder head assy	
		Ex: T1EAAW10070802751	Remove and reinstall Timing chain assy	
		Ex: T1EAAW10070832701	Remove and reinstall Timing chain cover	
		T1EAAW10070142751	Remove and reinstall Valve spring	
18	E4G16-1007014	Ex: T1EAAW10030103651	Disassemble and reassemble E4T15B cylinder head assy	
		Ex: T1EAAW10030102751	Remove and reinstall E4T15B cylinder head assy	
		Ex: T1EAAW10070802751	Remove and reinstall Timing chain assy	
		Ex: T1EAAW10070832701	Remove and reinstall Timing chain cover	
		T1EAAW10070132751	Remove and reinstall Valve spring LWR seat	
19	477F-1007013	Ex: T1EAAW10030103651	Disassemble and reassemble E4T15B cylinder head assy	
		Ex: T1EAAW10030102751	Remove and reinstall E4T15B cylinder head assy	
		Ex: T1EAAW10070802751	Remove and reinstall Timing chain assy	
		Ex: T1EAAW10070832701	Remove and reinstall Timing chain cover	
		T1EAAW10070132751	Remove and reinstall Valve spring LWR seat	



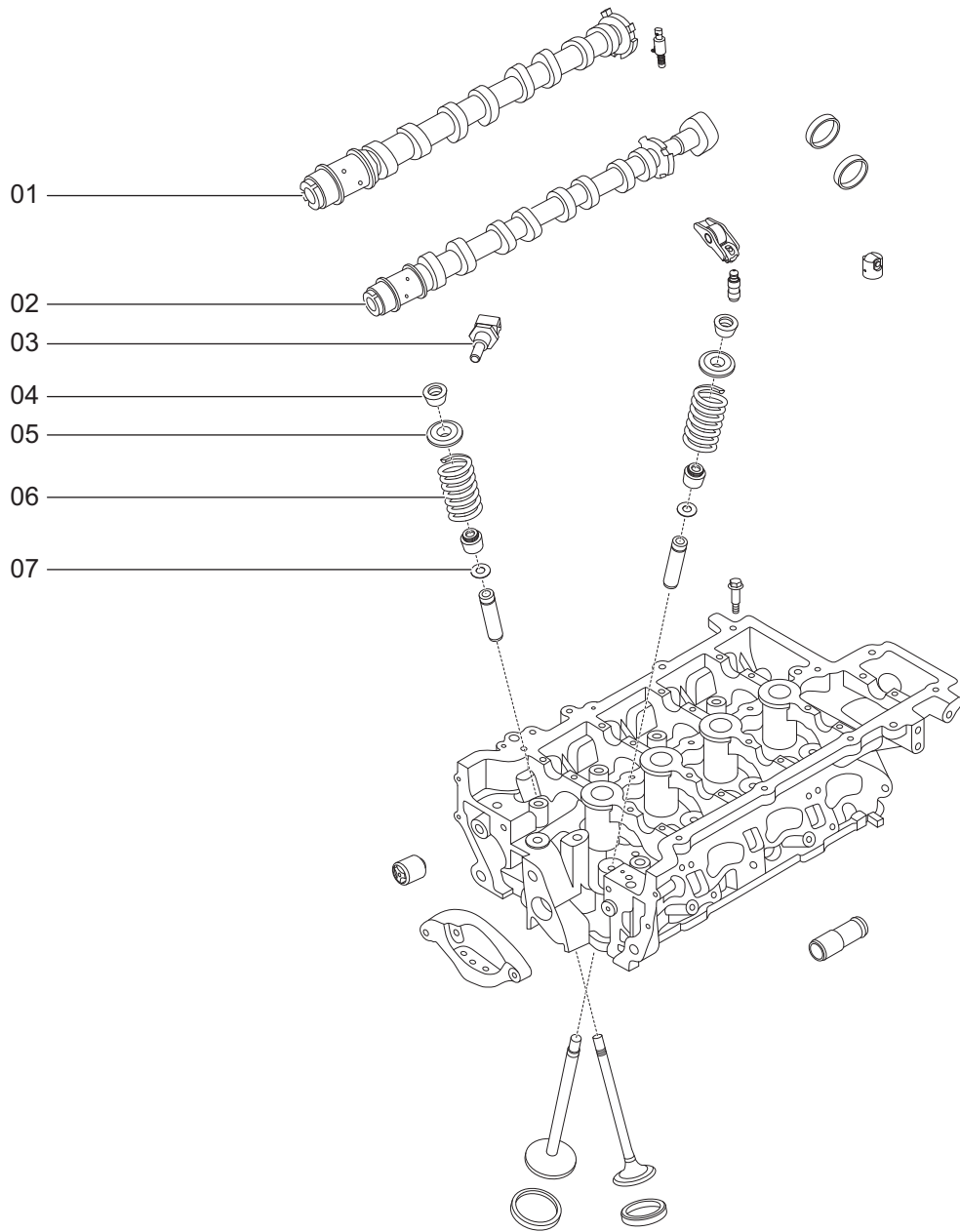
T1E020076

No.	Part No.	Station No.	Station Name	
20	E4T16-1007012	T1EAAW10070122751	Remove and reinstall 1 Exhaust valve	
		Ex: T1EAAW10030103651	Disassemble and reassemble E4T15B cylinder head assy	
		Ex: T1EAAW10030102751	Remove and reinstall E4T15B cylinder head assy	
		Ex: T1EAAW10070802751	Remove and reinstall Timing chain assy	
		Ex: T1EAAW10070832701	Remove and reinstall Timing chain cover	
		T1EAAW10070122752	Remove and reinstall 2 Exhaust valve	
		Ex: T1EAAW10030103651	Disassemble and reassemble E4T15B cylinder head assy	
		Ex: T1EAAW10030102751	Remove and reinstall E4T15B cylinder head assy	
		Ex: T1EAAW10070802751	Remove and reinstall Timing chain assy	
		Ex: T1EAAW10070832701	Remove and reinstall Timing chain cover	
		T1EAAW10070122754	Remove and reinstall 4 Exhaust valve	
		Ex: T1EAAW10030103651	Disassemble and reassemble E4T15B cylinder head assy	
		Ex: T1EAAW10030102751	Remove and reinstall E4T15B cylinder head assy	
		Ex: T1EAAW10070802751	Remove and reinstall Timing chain assy	
		Ex: T1EAAW10070832701	Remove and reinstall Timing chain cover	
		T1EAAW10070122756	Remove and reinstall 6 Exhaust valve	
		Ex: T1EAAW10030103651	Disassemble and reassemble E4T15B cylinder head assy	
		Ex: T1EAAW10030102751	Remove and reinstall E4T15B cylinder head assy	
		Ex: T1EAAW10070802751	Remove and reinstall Timing chain assy	
		Ex: T1EAAW10070832701	Remove and reinstall Timing chain cover	
T1EAAW10070122758	Remove and reinstall 8 Exhaust valve			
Ex: T1EAAW10030103651	Disassemble and reassemble E4T15B cylinder head assy			
Ex: T1EAAW10030102751	Remove and reinstall E4T15B cylinder head assy			
Ex: T1EAAW10070802751	Remove and reinstall Timing chain assy			
Ex: T1EAAW10070832701	Remove and reinstall Timing chain cover			
T1EAAW10070124558	Grind 8 Exhaust valve			
Ex: T1EAAW10030103651	Disassemble and reassemble E4T15B cylinder head assy			
Ex: T1EAAW10030102751	Remove and reinstall E4T15B cylinder head assy			
Ex: T1EAAW10070802751	Remove and reinstall Timing chain assy			
Ex: T1EAAW10070832701	Remove and reinstall Timing chain cover			
21	E4T15B-1003080	T1EAAW10030802751	Remove and reinstall Cylinder gasket	
		Ex: T1EAAW10030102751	Remove and reinstall E4T15B cylinder head assy	
		Ex: T1EAAW10070802751	Remove and reinstall Timing chain assy	
		Ex: T1EAAW10070832701	Remove and reinstall Timing chain cover	



T1E020077

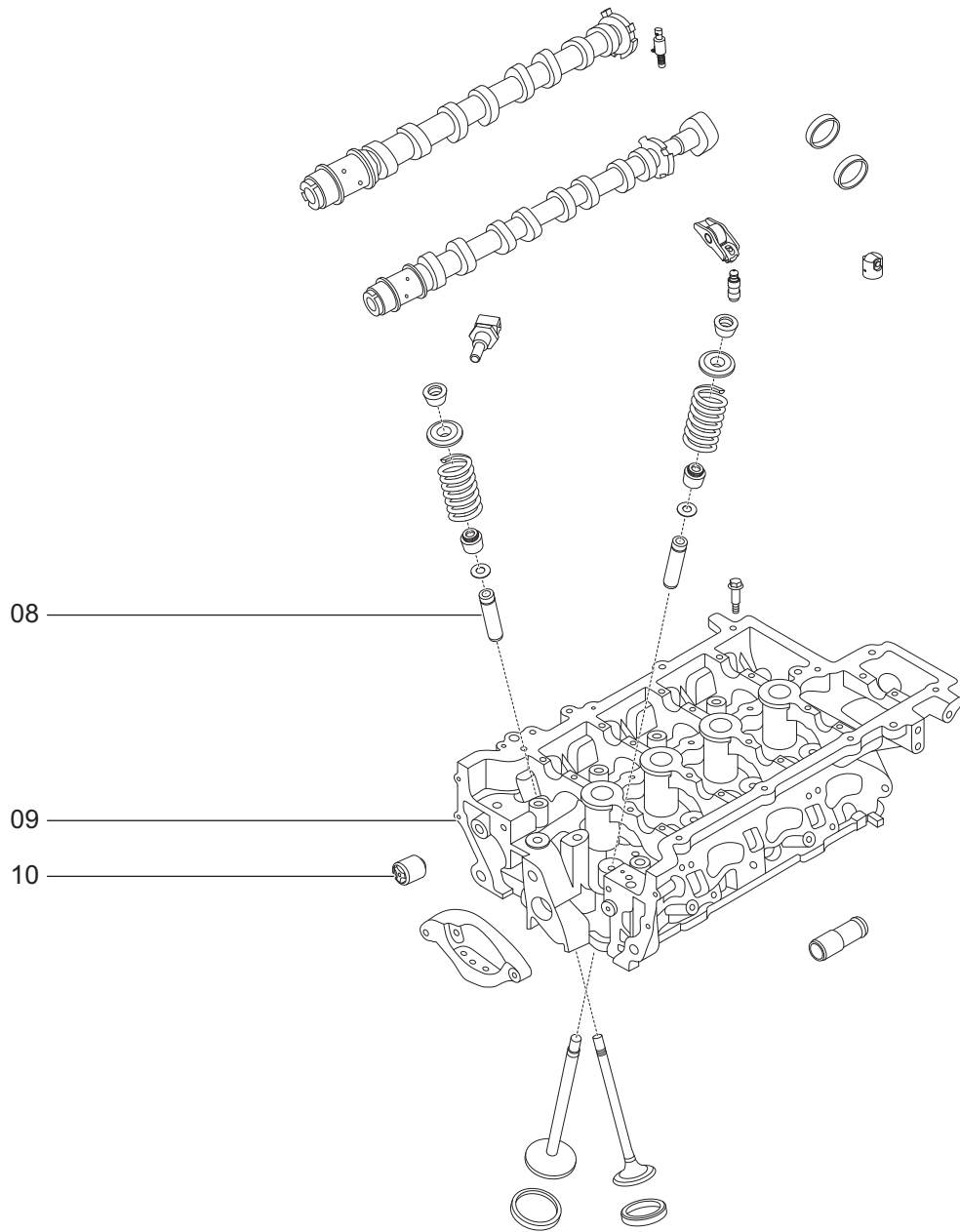
No.	Part No.	Station No.	Station Name	
22	E4G16-1003022	T1EAAW10030222751	Remove and reinstall 1 Exhaust valve seat ring	
		Ex: T1EAAW10030103651	Disassemble and reassemble E4T15B cylinder head assy	
		Ex: T1EAAW10030102751	Remove and reinstall E4T15B cylinder head assy	
		Ex: T1EAAW10070802751	Remove and reinstall Timing chain assy	
		Ex: T1EAAW10070832701	Remove and reinstall Timing chain cover	
		T1EAAW10030222752	Remove and reinstall 2 Exhaust valve seat ring	
		Ex: T1EAAW10030103651	Disassemble and reassemble E4T15B cylinder head assy	
		Ex: T1EAAW10030102751	Remove and reinstall E4T15B cylinder head assy	
		Ex: T1EAAW10070802751	Remove and reinstall Timing chain assy	
		Ex: T1EAAW10070832701	Remove and reinstall Timing chain cover	
		T1EAAW10030222754	Remove and reinstall 4 Exhaust valve seat ring	
		Ex: T1EAAW10030103651	Disassemble and reassemble E4T15B cylinder head assy	
		Ex: T1EAAW10030102751	Remove and reinstall E4T15B cylinder head assy	
		Ex: T1EAAW10070802751	Remove and reinstall Timing chain assy	
		Ex: T1EAAW10070832701	Remove and reinstall Timing chain cover	
		T1EAAW10030222756	Remove and reinstall 6 Exhaust valve seat ring	
		Ex: T1EAAW10030103651	Disassemble and reassemble E4T15B cylinder head assy	
		Ex: T1EAAW10030102751	Remove and reinstall E4T15B cylinder head assy	
		Ex: T1EAAW10070802751	Remove and reinstall Timing chain assy	
		Ex: T1EAAW10070832701	Remove and reinstall Timing chain cover	
T1EAAW10030222758	Remove and reinstall 8 Exhaust valve seat ring			
Ex: T1EAAW10030103651	Disassemble and reassemble E4T15B cylinder head assy			
Ex: T1EAAW10030102751	Remove and reinstall E4T15B cylinder head assy			
Ex: T1EAAW10070802751	Remove and reinstall Timing chain assy			
Ex: T1EAAW10070832701	Remove and reinstall Timing chain cover			
23	F4J16-1002036	T1EAAW10020362711	Remove and reinstall Bowl plug	
		Ex: T1EKKK30002972701	Remove and reinstall Catalytic converter assy	
24	372-1002024	T1EAAW10020242751	Remove and reinstall Cup plug (Φ30)	
		Ex: T1EKKK30002972701	Remove and reinstall Catalytic converter assy	
25	481H-1002036	T1EAAW10020362751	Remove and reinstall Cup plug Φ20	
		Ex: T1EAAW10070802751	Remove and reinstall Timing chain assy	
		Ex: T1EAAW10070832701	Remove and reinstall Timing chain cover	



T1E020080

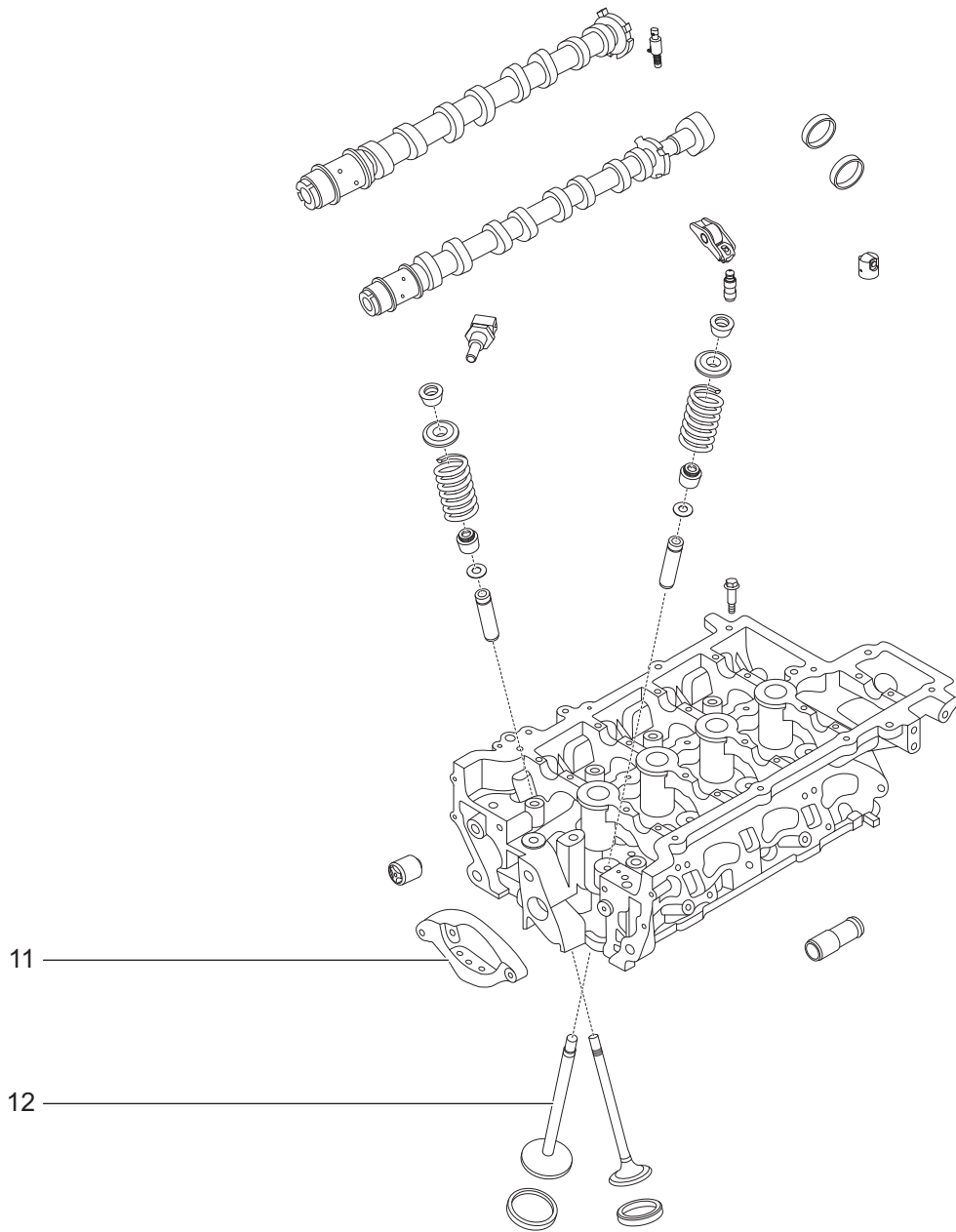


No.	Part No.	Station No.	Station Name
01	F4J16-1006020	T1EAAY10060202751	Remove and reinstall Exhaust camshaft assy
		Ex: T1EAAY10060402751	Remove and reinstall Exhaust phaser
		Ex: T1EAAY10210802751	Remove and reinstall Timing chain assy
		Ex: T1EAAY10210122701	Remove and reinstall Sprocket cover
02	F4J16-1006010	T1EAAY10060102751	Remove and reinstall Intake camshaft assy
		Ex: T1EAAY10060302751	Remove and reinstall Intake phaser
		Ex: T1EAAY10210802751	Remove and reinstall Timing chain assy
		Ex: T1EAAY10210122701	Remove and reinstall Sprocket cover
03	A11-3617011	T1EAAY36170112751	Remove and reinstall Water temperature sensor
		Ex: T1EKKK10001332701	Remove and reinstall Intake hose assy
04	481H-1007018	T1EAAY10070182751	Remove and reinstall Valve lock block
		Ex: T1EAAY10030103651	Disassemble and reassemble F4J16 cylinder head assy
		Ex: T1EAAY10030102751	Remove and reinstall F4J16 cylinder head assy
		Ex: T1EAAY10210802751	Remove and reinstall Timing chain assy
		Ex: T1EAAY10210122701	Remove and reinstall Sprocket cover
05	F4J16-1007015	T1EAAY10070152751	Remove and reinstall Valve spring UPR seat
		Ex: T1EAAY10030103651	Disassemble and reassemble F4J16 cylinder head assy
		Ex: T1EAAY10030102751	Remove and reinstall F4J16 cylinder head assy
		Ex: T1EAAY10210802751	Remove and reinstall Timing chain assy
		Ex: T1EAAY10210122701	Remove and reinstall Sprocket cover
06	F4J16-1007014	T1EAAY10070142751	Remove and reinstall Valve spring
		Ex: T1EAAY10030103651	Disassemble and reassemble F4J16 cylinder head assy
		Ex: T1EAAY10030102751	Remove and reinstall F4J16 cylinder head assy
		Ex: T1EAAY10210802751	Remove and reinstall Timing chain assy
		Ex: T1EAAY10210122701	Remove and reinstall Sprocket cover
07	F4J16-1007016	T1EAAY10070162751	Remove and reinstall Valve spring LWR seat
		Ex: T1EAAY10030103651	Disassemble and reassemble F4J16 cylinder head assy
		Ex: T1EAAY10030102751	Remove and reinstall F4J16 cylinder head assy
		Ex: T1EAAY10210802751	Remove and reinstall Timing chain assy
		Ex: T1EAAY10210122701	Remove and reinstall Sprocket cover



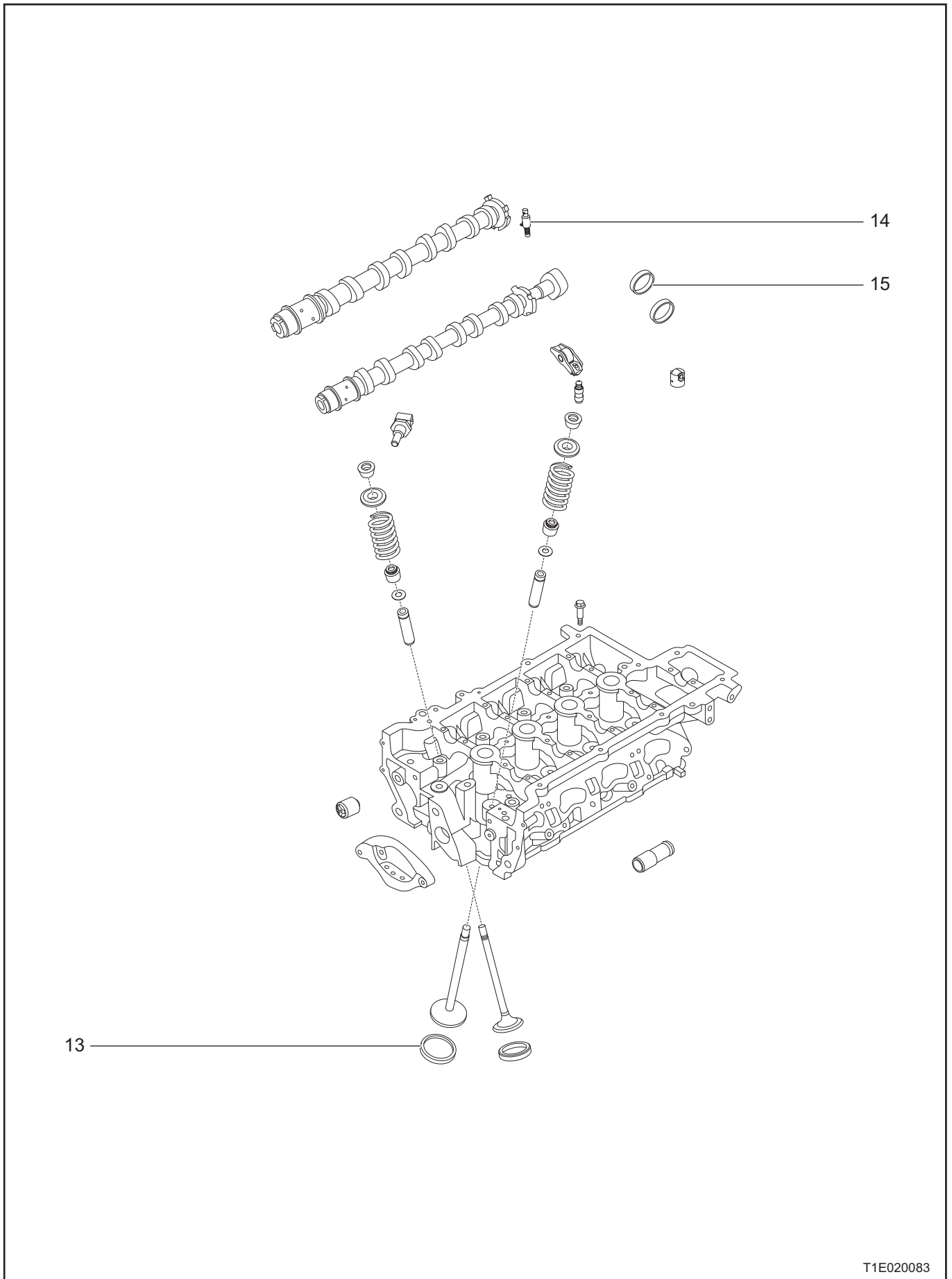
T1E020081

No.	Part No.	Station No.	Station Name	
08	F4J16-1003018	T1EAAY10030182751	Remove and reinstall 1 GUIDE PIPE-EXHAUST VALVE	
		Ex: T1EAAY10030103651	Disassemble and reassemble F4J16 cylinder head assy	
		Ex: T1EAAY10030102751	Remove and reinstall F4J16 cylinder head assy	
		Ex: T1EAAY10210802751	Remove and reinstall Timing chain assy	
		Ex: T1EAAY10210122701	Remove and reinstall Sprocket cover	
		T1EAAY10030182752	Remove and reinstall 2 GUIDE PIPE-EXHAUST VALVE	
		Ex: T1EAAY10030103651	Disassemble and reassemble F4J16 cylinder head assy	
		Ex: T1EAAY10030102751	Remove and reinstall F4J16 cylinder head assy	
		Ex: T1EAAY10210802751	Remove and reinstall Timing chain assy	
		Ex: T1EAAY10210122701	Remove and reinstall Sprocket cover	
		T1EAAY10030182754	Remove and reinstall 4 GUIDE PIPE-EXHAUST VALVE	
		Ex: T1EAAY10030103651	Disassemble and reassemble F4J16 cylinder head assy	
		Ex: T1EAAY10030102751	Remove and reinstall F4J16 cylinder head assy	
		Ex: T1EAAY10210802751	Remove and reinstall Timing chain assy	
		Ex: T1EAAY10210122701	Remove and reinstall Sprocket cover	
		T1EAAY10030182756	Remove and reinstall 6 GUIDE PIPE-EXHAUST VALVE	
		Ex: T1EAAY10030103651	Disassemble and reassemble F4J16 cylinder head assy	
		Ex: T1EAAY10030102751	Remove and reinstall F4J16 cylinder head assy	
		Ex: T1EAAY10210802751	Remove and reinstall Timing chain assy	
		Ex: T1EAAY10210122701	Remove and reinstall Sprocket cover	
		T1EAAY10030182758	Remove and reinstall 8 GUIDE PIPE-EXHAUST VALVE	
		Ex: T1EAAY10030103651	Disassemble and reassemble F4J16 cylinder head assy	
		Ex: T1EAAY10030102751	Remove and reinstall F4J16 cylinder head assy	
		Ex: T1EAAY10210802751	Remove and reinstall Timing chain assy	
		Ex: T1EAAY10210122701	Remove and reinstall Sprocket cover	
09	F4J16-1003010BA	T1EAAY10030102751	Remove and reinstall F4J16 cylinder head assy	
		Ex: T1EAAY10210802751	Remove and reinstall Timing chain assy	
		Ex: T1EAAY10210122701	Remove and reinstall Sprocket cover	
		T1EAAY10030103651	Disassemble and reassemble F4J16 cylinder head assy	
		Ex: T1EAAY10030102751	Remove and reinstall F4J16 cylinder head assy	
		Ex: T1EAAY10210802751	Remove and reinstall Timing chain assy	
		Ex: T1EAAY10210122701	Remove and reinstall Sprocket cover	
10	F4J16-1003034	T1EAAY10030342751	Remove and reinstall Vacuum system one-way valve	
		Ex: T1EAAY10030103651	Disassemble and reassemble F4J16 cylinder head assy	
		Ex: T1EAAY10030102751	Remove and reinstall F4J16 cylinder head assy	
		Ex: T1EAAY10210802751	Remove and reinstall Timing chain assy	
		Ex: T1EAAY10210122701	Remove and reinstall Sprocket cover	



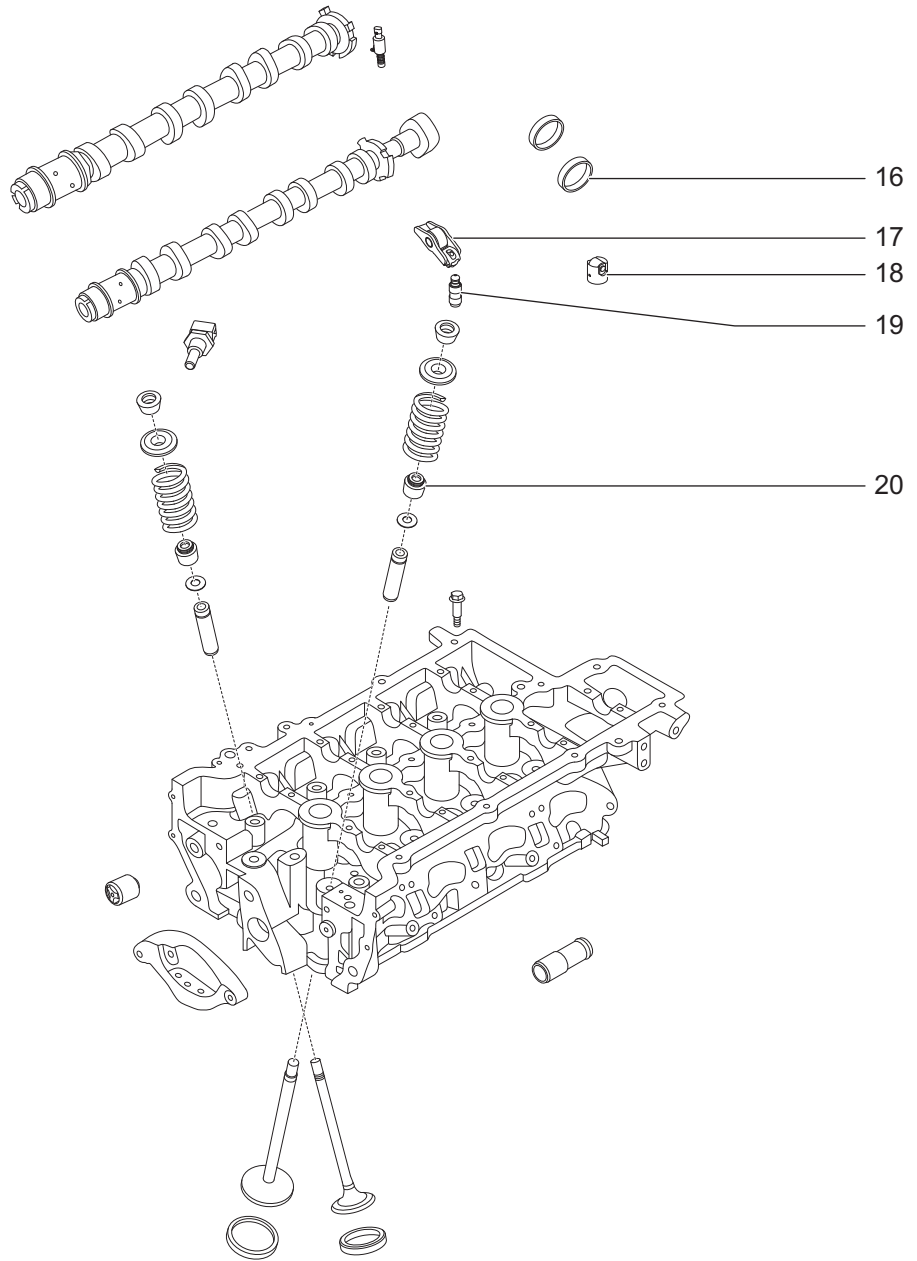
T1E020082

No.	Part No.	Station No.	Station Name	
11	F4J16-1001411	T1EAAY10014112751	Remove and reinstall Engine front end bracket	
		Ex: T1EKKK60000972701	Remove and reinstall RH mounting cushion assy	
12	F4J16-1007011BA	T1EAAY10070112751	Remove and reinstall 1 Intake valve	
		Ex: T1EAAY10030103651	Disassemble and reassemble F4J16 cylinder head assy	
		Ex: T1EAAY10030102751	Remove and reinstall F4J16 cylinder head assy	
		Ex: T1EAAY10210802751	Remove and reinstall Timing chain assy	
		Ex: T1EAAY10210122701	Remove and reinstall Sprocket cover	
		T1EAAY10070112752	Remove and reinstall 2 Intake valve	
		Ex: T1EAAY10030103651	Disassemble and reassemble F4J16 cylinder head assy	
		Ex: T1EAAY10030102751	Remove and reinstall F4J16 cylinder head assy	
		Ex: T1EAAY10210802751	Remove and reinstall Timing chain assy	
		Ex: T1EAAY10210122701	Remove and reinstall Sprocket cover	
		T1EAAY10070112754	Remove and reinstall 4 Intake valve	
		Ex: T1EAAY10030103651	Disassemble and reassemble F4J16 cylinder head assy	
		Ex: T1EAAY10030102751	Remove and reinstall F4J16 cylinder head assy	
		Ex: T1EAAY10210802751	Remove and reinstall Timing chain assy	
		Ex: T1EAAY10210122701	Remove and reinstall Sprocket cover	
		T1EAAY10070112756	Remove and reinstall 6 Intake valve	
		Ex: T1EAAY10030103651	Disassemble and reassemble F4J16 cylinder head assy	
		Ex: T1EAAY10030102751	Remove and reinstall F4J16 cylinder head assy	
		Ex: T1EAAY10210802751	Remove and reinstall Timing chain assy	
		Ex: T1EAAY10210122701	Remove and reinstall Sprocket cover	
T1EAAY10070112758	Remove and reinstall 8 Intake valve			
Ex: T1EAAY10030103651	Disassemble and reassemble F4J16 cylinder head assy			
Ex: T1EAAY10030102751	Remove and reinstall F4J16 cylinder head assy			
Ex: T1EAAY10210802751	Remove and reinstall Timing chain assy			
Ex: T1EAAY10210122701	Remove and reinstall Sprocket cover			
T1EAAY10070114558	Grind 8 Intake valve			
Ex: T1EAAY10030103651	Disassemble and reassemble F4J16 cylinder head assy			
Ex: T1EAAY10030102751	Remove and reinstall F4J16 cylinder head assy			
Ex: T1EAAY10210802751	Remove and reinstall Timing chain assy			
Ex: T1EAAY10210122701	Remove and reinstall Sprocket cover			



T1E020083

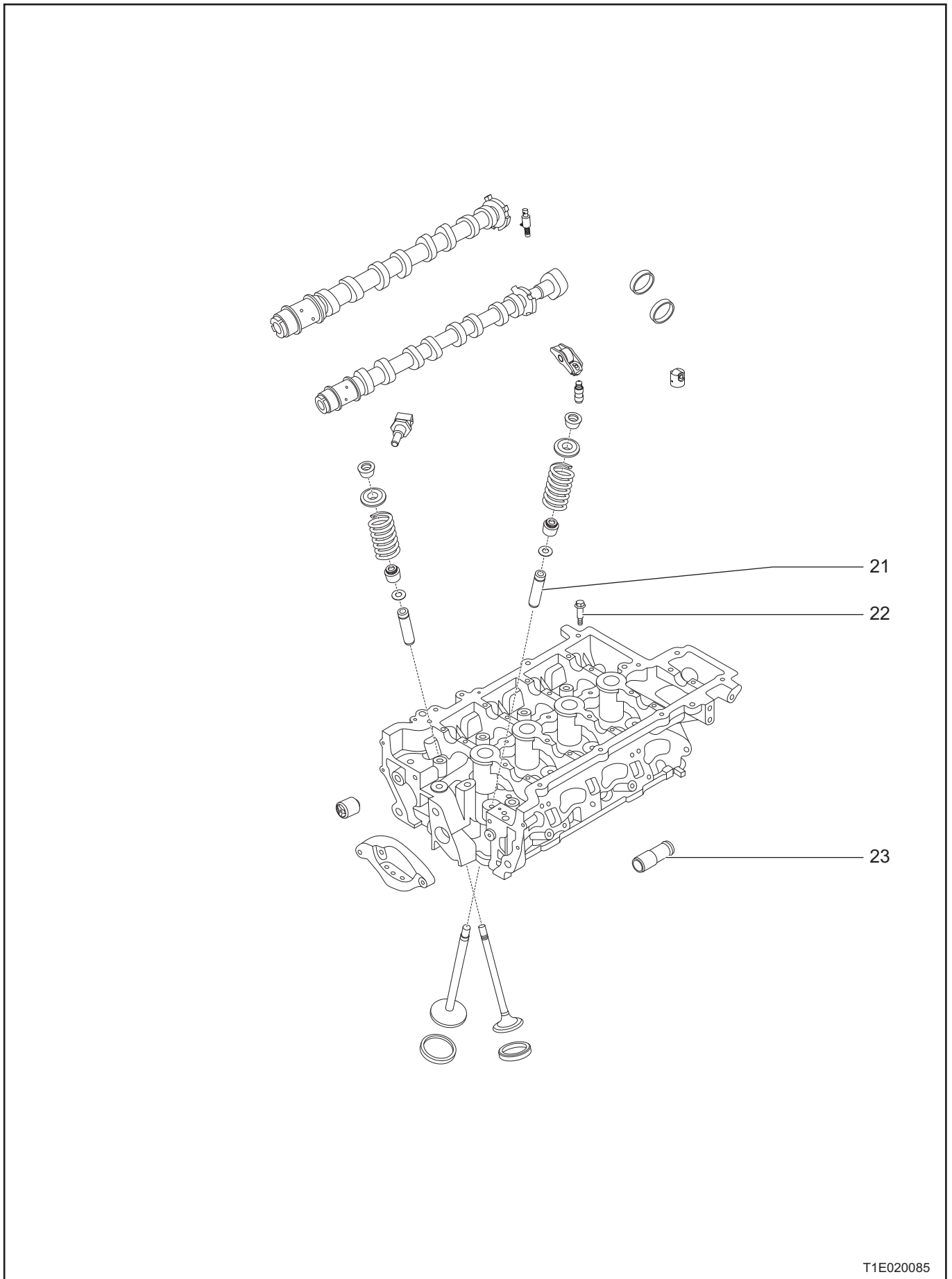
No.	Part No.	Station No.	Station Name	
13	F4J16-1003011	T1EAAY10030112751	Remove and reinstall 1 Intake valve retainer	
		Ex: T1EAAY10030103651	Disassemble and reassemble F4J16 cylinder head assy	
		Ex: T1EAAY10030102751	Remove and reinstall F4J16 cylinder head assy	
		Ex: T1EAAY10210802751	Remove and reinstall Timing chain assy	
		Ex: T1EAAY10210122701	Remove and reinstall Sprocket cover	
		T1EAAY10030112752	Remove and reinstall 2 Intake valve retainer	
		Ex: T1EAAY10030103651	Disassemble and reassemble F4J16 cylinder head assy	
		Ex: T1EAAY10030102751	Remove and reinstall F4J16 cylinder head assy	
		Ex: T1EAAY10210802751	Remove and reinstall Timing chain assy	
		Ex: T1EAAY10210122701	Remove and reinstall Sprocket cover	
		T1EAAY10030112754	Remove and reinstall 4 Intake valve retainer	
		Ex: T1EAAY10030103651	Disassemble and reassemble F4J16 cylinder head assy	
		Ex: T1EAAY10030102751	Remove and reinstall F4J16 cylinder head assy	
		Ex: T1EAAY10210802751	Remove and reinstall Timing chain assy	
		Ex: T1EAAY10210122701	Remove and reinstall Sprocket cover	
		T1EAAY10030112756	Remove and reinstall 6 Intake valve retainer	
		Ex: T1EAAY10030103651	Disassemble and reassemble F4J16 cylinder head assy	
		Ex: T1EAAY10030102751	Remove and reinstall F4J16 cylinder head assy	
		Ex: T1EAAY10210802751	Remove and reinstall Timing chain assy	
		Ex: T1EAAY10210122701	Remove and reinstall Sprocket cover	
T1EAAY10030112758	Remove and reinstall 8 Intake valve retainer			
Ex: T1EAAY10030103651	Disassemble and reassemble F4J16 cylinder head assy			
Ex: T1EAAY10030102751	Remove and reinstall F4J16 cylinder head assy			
Ex: T1EAAY10210802751	Remove and reinstall Timing chain assy			
Ex: T1EAAY10210122701	Remove and reinstall Sprocket cover			
14	E4G16-3611091	T1EAAY36110912751	Remove and reinstall Camshaft phaser assy control valve	
		Ex: T1EAAY10030503701	Replace Valve chamber cover assy	
15	F4J16-1002036	T1EAAY10020362701	Remove and reinstall Bowl plug	



T1E020084

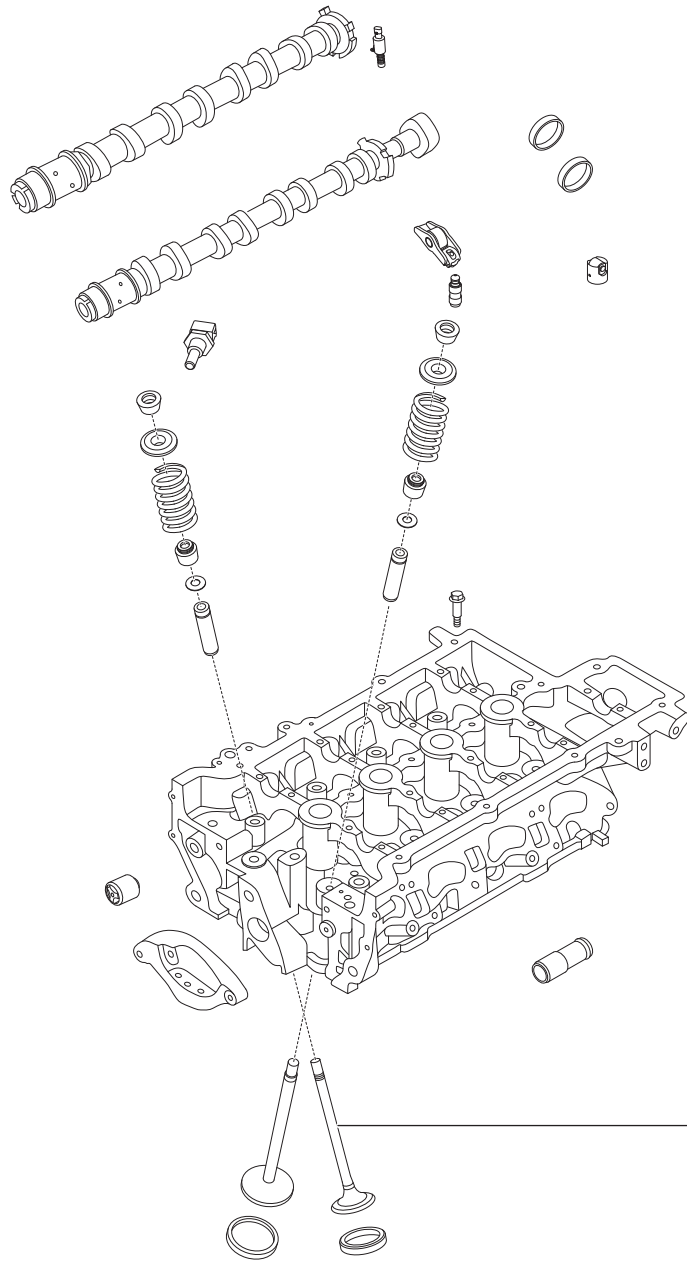


No.	Part No.	Station No.	Station Name
16	372-1003026	T1EAAY10030262751	Remove and reinstall Cup plug (Φ30)
		Ex: T1EAAY10030103651	Disassemble and reassemble F4J16 cylinder head assy
		Ex: T1EAAY10030102751	Remove and reinstall F4J16 cylinder head assy
		Ex: T1EAAY10210802751	Remove and reinstall Timing chain assy
		Ex: T1EAAY10210122701	Remove and reinstall Sprocket cover
17	F4J16-1007110	T1EAAY10071102751	Remove and reinstall Rocker arm assy
		Ex: T1EAAY10060102751	Remove and reinstall Intake camshaft assy
		Ex: T1EAAY10060302751	Remove and reinstall Intake phaser
		Ex: T1EAAY10210802751	Remove and reinstall Timing chain assy
		Ex: T1EAAY10210122701	Remove and reinstall Sprocket cover
18	F4J16-1111017	T1EAAY11110172751	Remove and reinstall Roller tappet
		Ex: T1EAAY10060102751	Remove and reinstall Intake camshaft assy
		Ex: T1EAAY10060302751	Remove and reinstall Intake phaser
		Ex: T1EAAY10210802751	Remove and reinstall Timing chain assy
		Ex: T1EAAY10210122701	Remove and reinstall Sprocket cover
19	481H-1007040	T1EAAY10070402751	Remove and reinstall Hydraulic tappet assy
		Ex: T1EAAY10060102751	Remove and reinstall Intake camshaft assy
		Ex: T1EAAY10060302751	Remove and reinstall Intake phaser
		Ex: T1EAAY10210802751	Remove and reinstall Timing chain assy
		Ex: T1EAAY10210122701	Remove and reinstall Sprocket cover
20	F4J16-1007071	T1EAAY10070712751	Remove and reinstall Valve oil seal
		Ex: T1EAAY10030103651	Disassemble and reassemble F4J16 cylinder head assy
		Ex: T1EAAY10030102751	Remove and reinstall F4J16 cylinder head assy
		Ex: T1EAAY10210802751	Remove and reinstall Timing chain assy
		Ex: T1EAAY10210122701	Remove and reinstall Sprocket cover



T1E020085

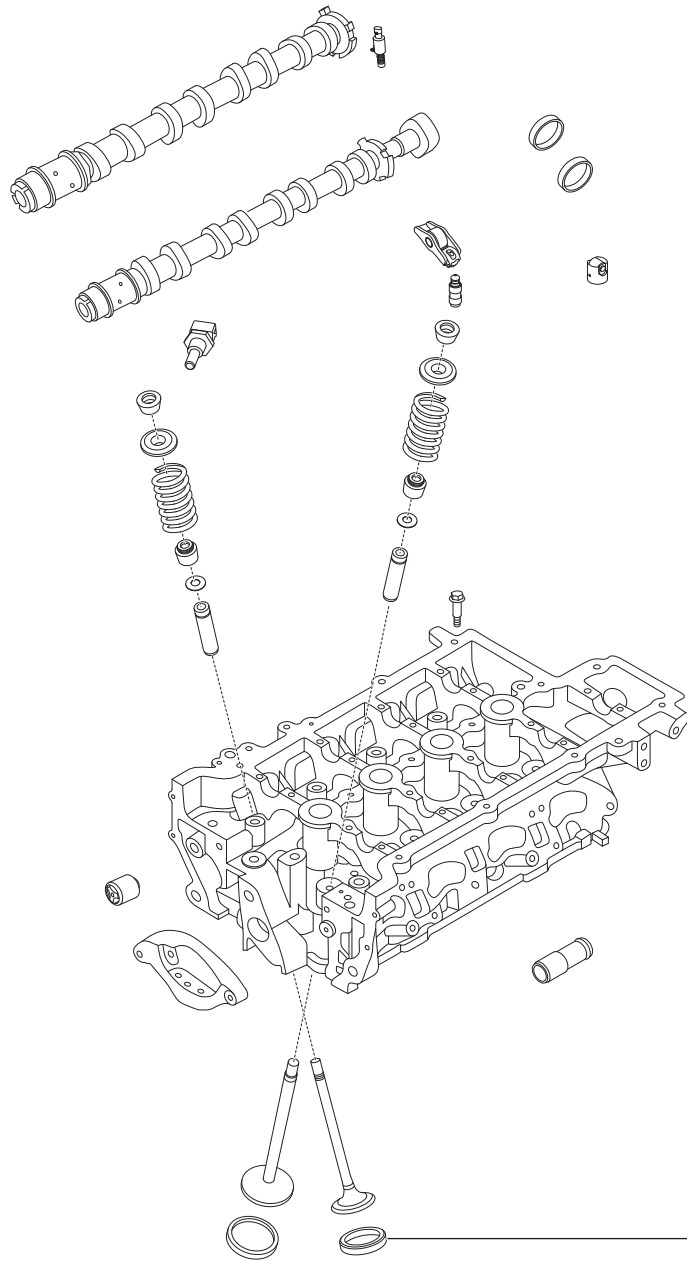
No.	Part No.	Station No.	Station Name	
21	F4J16-1003013	T1EAAY10030132751	Remove and reinstall 1 INTAKE VALVE GUIDE	
		Ex: T1EAAY10030103651	Disassemble and reassemble F4J16 cylinder head assy	
		Ex: T1EAAY10030102751	Remove and reinstall F4J16 cylinder head assy	
		Ex: T1EAAY10210802751	Remove and reinstall Timing chain assy	
		Ex: T1EAAY10210122701	Remove and reinstall Sprocket cover	
		T1EAAY10030132752	Remove and reinstall 2 INTAKE VALVE GUIDE	
		Ex: T1EAAY10030103651	Disassemble and reassemble F4J16 cylinder head assy	
		Ex: T1EAAY10030102751	Remove and reinstall F4J16 cylinder head assy	
		Ex: T1EAAY10210802751	Remove and reinstall Timing chain assy	
		Ex: T1EAAY10210122701	Remove and reinstall Sprocket cover	
		T1EAAY10030132754	Remove and reinstall 4 INTAKE VALVE GUIDE	
		Ex: T1EAAY10030103651	Disassemble and reassemble F4J16 cylinder head assy	
		Ex: T1EAAY10030102751	Remove and reinstall F4J16 cylinder head assy	
		Ex: T1EAAY10210802751	Remove and reinstall Timing chain assy	
		Ex: T1EAAY10210122701	Remove and reinstall Sprocket cover	
		T1EAAY10030132756	Remove and reinstall 6 INTAKE VALVE GUIDE	
		Ex: T1EAAY10030103651	Disassemble and reassemble F4J16 cylinder head assy	
		Ex: T1EAAY10030102751	Remove and reinstall F4J16 cylinder head assy	
		Ex: T1EAAY10210802751	Remove and reinstall Timing chain assy	
		Ex: T1EAAY10210122701	Remove and reinstall Sprocket cover	
		T1EAAY10030132758	Remove and reinstall 8 INTAKE VALVE GUIDE	
		Ex: T1EAAY10030103651	Disassemble and reassemble F4J16 cylinder head assy	
		Ex: T1EAAY10030102751	Remove and reinstall F4J16 cylinder head assy	
		Ex: T1EAAY10210802751	Remove and reinstall Timing chain assy	
		Ex: T1EAAY10210122701	Remove and reinstall Sprocket cover	
22	F4J16-1003031	T1EAAY10030312751	Remove and reinstall Main bearing cap bolt	
		Ex: T1EAAY10030102751	Remove and reinstall F4J16 cylinder head assy	
		Ex: T1EAAY10210802751	Remove and reinstall Timing chain assy	
		Ex: T1EAAY10210122701	Remove and reinstall Sprocket cover	
23	371-1003063	T1EAAY10030632751	Remove and reinstall Locating sleeve - camshaft bearing cap	
		Ex: T1EAAY10030503701	Replace Valve chamber cover assy	



24

T1E020086

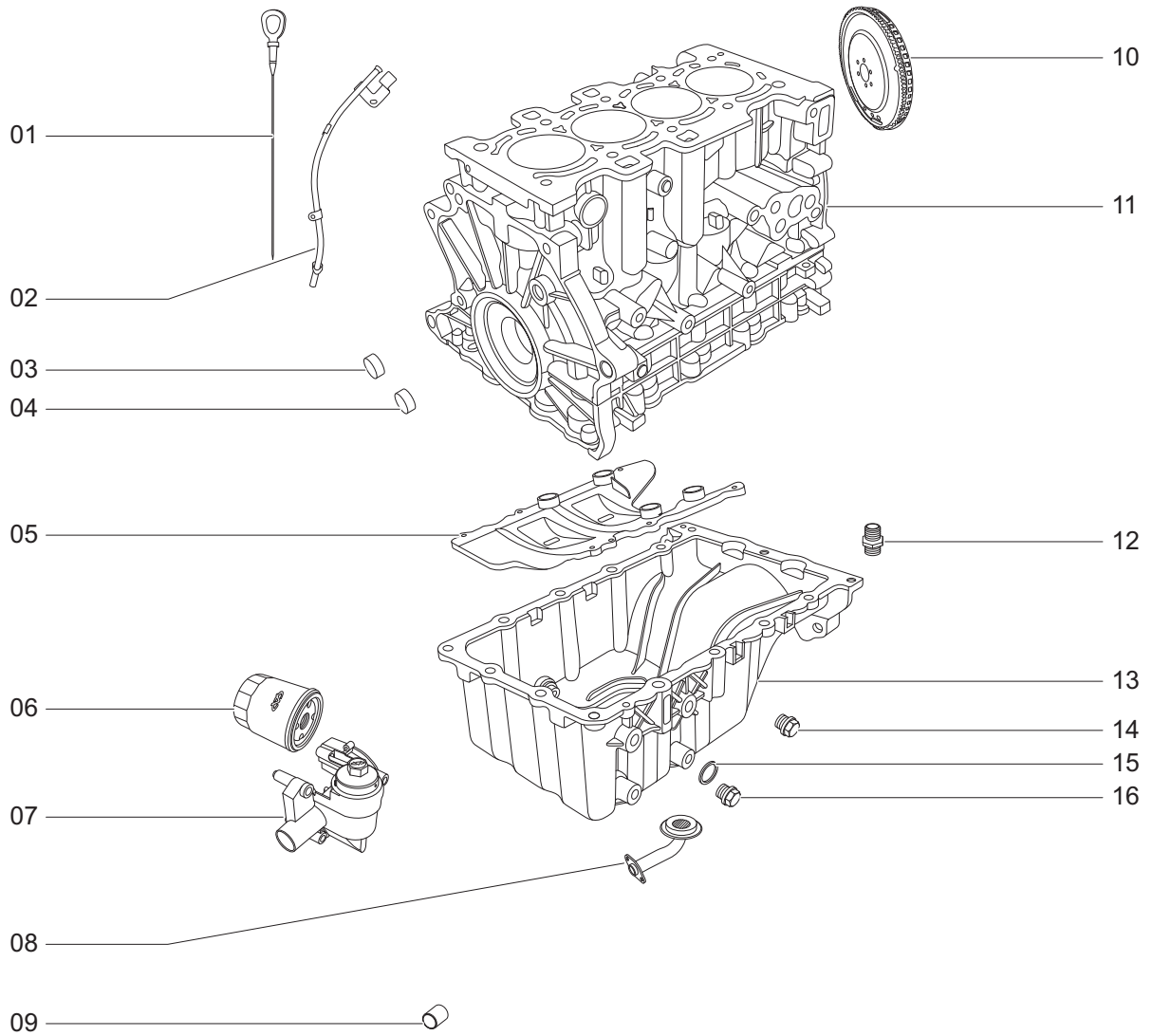
No.	Part No.	Station No.	Station Name	
24	F4J16-1007012BA	T1EAAY10070122751	Remove and reinstall 1 Exhaust valve	
		Ex: T1EAAY10030103651	Disassemble and reassemble F4J16 cylinder head assy	
		Ex: T1EAAY10030102751	Remove and reinstall F4J16 cylinder head assy	
		Ex: T1EAAY10210802751	Remove and reinstall Timing chain assy	
		Ex: T1EAAY10210122701	Remove and reinstall Sprocket cover	
		T1EAAY10070122752	Remove and reinstall 2 Exhaust valve	
		Ex: T1EAAY10030103651	Disassemble and reassemble F4J16 cylinder head assy	
		Ex: T1EAAY10030102751	Remove and reinstall F4J16 cylinder head assy	
		Ex: T1EAAY10210802751	Remove and reinstall Timing chain assy	
		Ex: T1EAAY10210122701	Remove and reinstall Sprocket cover	
		T1EAAY10070122754	Remove and reinstall 4 Exhaust valve	
		Ex: T1EAAY10030103651	Disassemble and reassemble F4J16 cylinder head assy	
		Ex: T1EAAY10030102751	Remove and reinstall F4J16 cylinder head assy	
		Ex: T1EAAY10210802751	Remove and reinstall Timing chain assy	
		Ex: T1EAAY10210122701	Remove and reinstall Sprocket cover	
		T1EAAY10070122756	Remove and reinstall 6 Exhaust valve	
		Ex: T1EAAY10030103651	Disassemble and reassemble F4J16 cylinder head assy	
		Ex: T1EAAY10030102751	Remove and reinstall F4J16 cylinder head assy	
		Ex: T1EAAY10210802751	Remove and reinstall Timing chain assy	
		Ex: T1EAAY10210122701	Remove and reinstall Sprocket cover	
		T1EAAY10070122758	Remove and reinstall 8 Exhaust valve	
		Ex: T1EAAY10030103651	Disassemble and reassemble F4J16 cylinder head assy	
		Ex: T1EAAY10030102751	Remove and reinstall F4J16 cylinder head assy	
		Ex: T1EAAY10210802751	Remove and reinstall Timing chain assy	
		Ex: T1EAAY10210122701	Remove and reinstall Sprocket cover	
		T1EAAY10070124558	Grind 8 Exhaust valve	
		Ex: T1EAAY10030103651	Disassemble and reassemble F4J16 cylinder head assy	
		Ex: T1EAAY10030102751	Remove and reinstall F4J16 cylinder head assy	
		Ex: T1EAAY10210802751	Remove and reinstall Timing chain assy	
		Ex: T1EAAY10210122701	Remove and reinstall Sprocket cover	



25

T1E020087

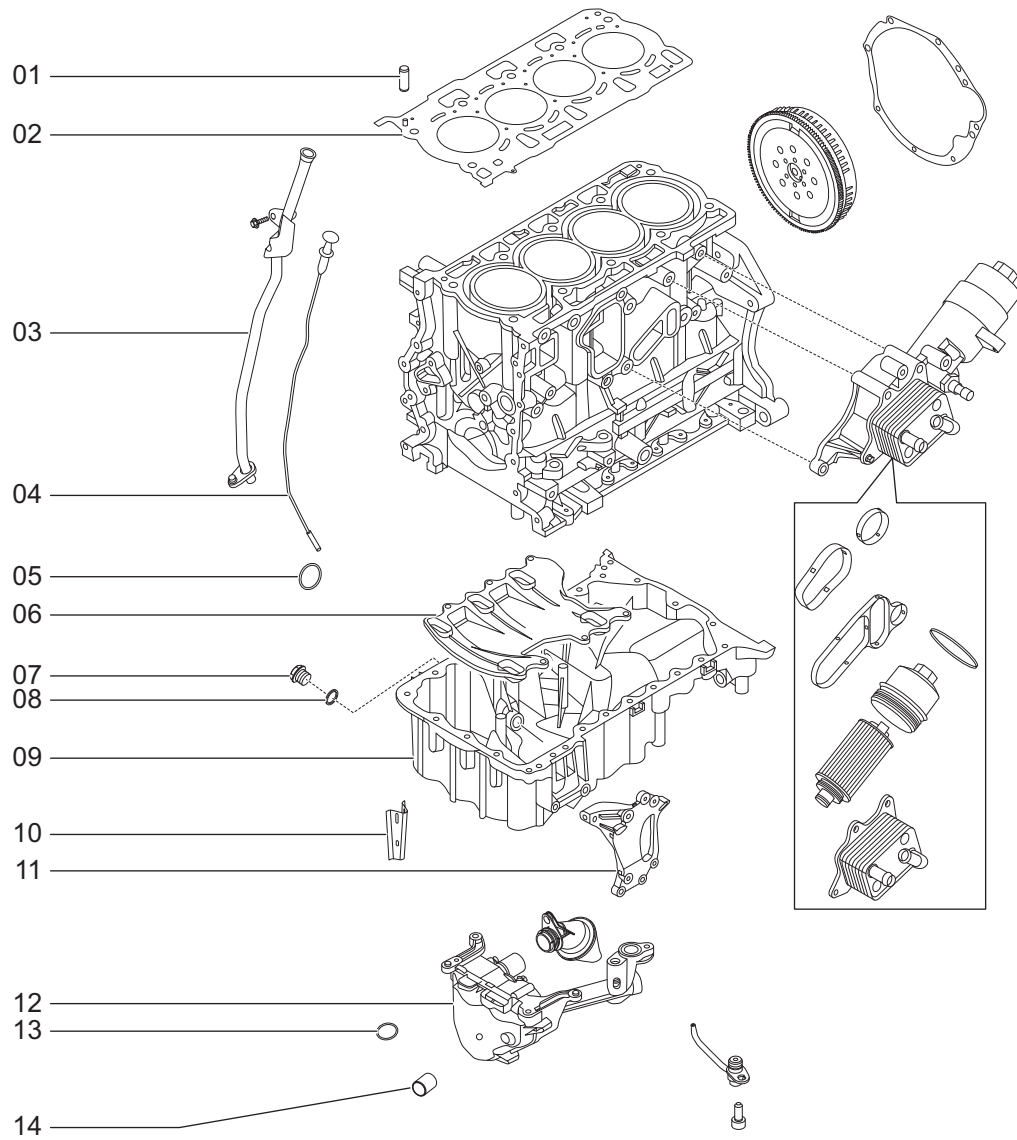
No.	Part No.	Station No.	Station Name	
25	F4J16-1003012	T1EAAY10030122751	Remove and reinstall 1 Exhaust valve retainer	
		Ex: T1EAAY10030103651	Disassemble and reassemble F4J16 cylinder head assy	
		Ex: T1EAAY10030102751	Remove and reinstall F4J16 cylinder head assy	
		Ex: T1EAAY10210802751	Remove and reinstall Timing chain assy	
		Ex: T1EAAY10210122701	Remove and reinstall Sprocket cover	
		T1EAAY10030122752	Remove and reinstall 2 Exhaust valve retainer	
		Ex: T1EAAY10030103651	Disassemble and reassemble F4J16 cylinder head assy	
		Ex: T1EAAY10030102751	Remove and reinstall F4J16 cylinder head assy	
		Ex: T1EAAY10210802751	Remove and reinstall Timing chain assy	
		Ex: T1EAAY10210122701	Remove and reinstall Sprocket cover	
		T1EAAY10030122754	Remove and reinstall 4 Exhaust valve retainer	
		Ex: T1EAAY10030103651	Disassemble and reassemble F4J16 cylinder head assy	
		Ex: T1EAAY10030102751	Remove and reinstall F4J16 cylinder head assy	
		Ex: T1EAAY10210802751	Remove and reinstall Timing chain assy	
		Ex: T1EAAY10210122701	Remove and reinstall Sprocket cover	
		T1EAAY10030122756	Remove and reinstall 6 Exhaust valve retainer	
		Ex: T1EAAY10030103651	Disassemble and reassemble F4J16 cylinder head assy	
		Ex: T1EAAY10030102751	Remove and reinstall F4J16 cylinder head assy	
		Ex: T1EAAY10210802751	Remove and reinstall Timing chain assy	
		Ex: T1EAAY10210122701	Remove and reinstall Sprocket cover	
		T1EAAY10030122758	Remove and reinstall 8 Exhaust valve retainer	
		Ex: T1EAAY10030103651	Disassemble and reassemble F4J16 cylinder head assy	
		Ex: T1EAAY10030102751	Remove and reinstall F4J16 cylinder head assy	
		Ex: T1EAAY10210802751	Remove and reinstall Timing chain assy	
		Ex: T1EAAY10210122701	Remove and reinstall Sprocket cover	



T1E020090

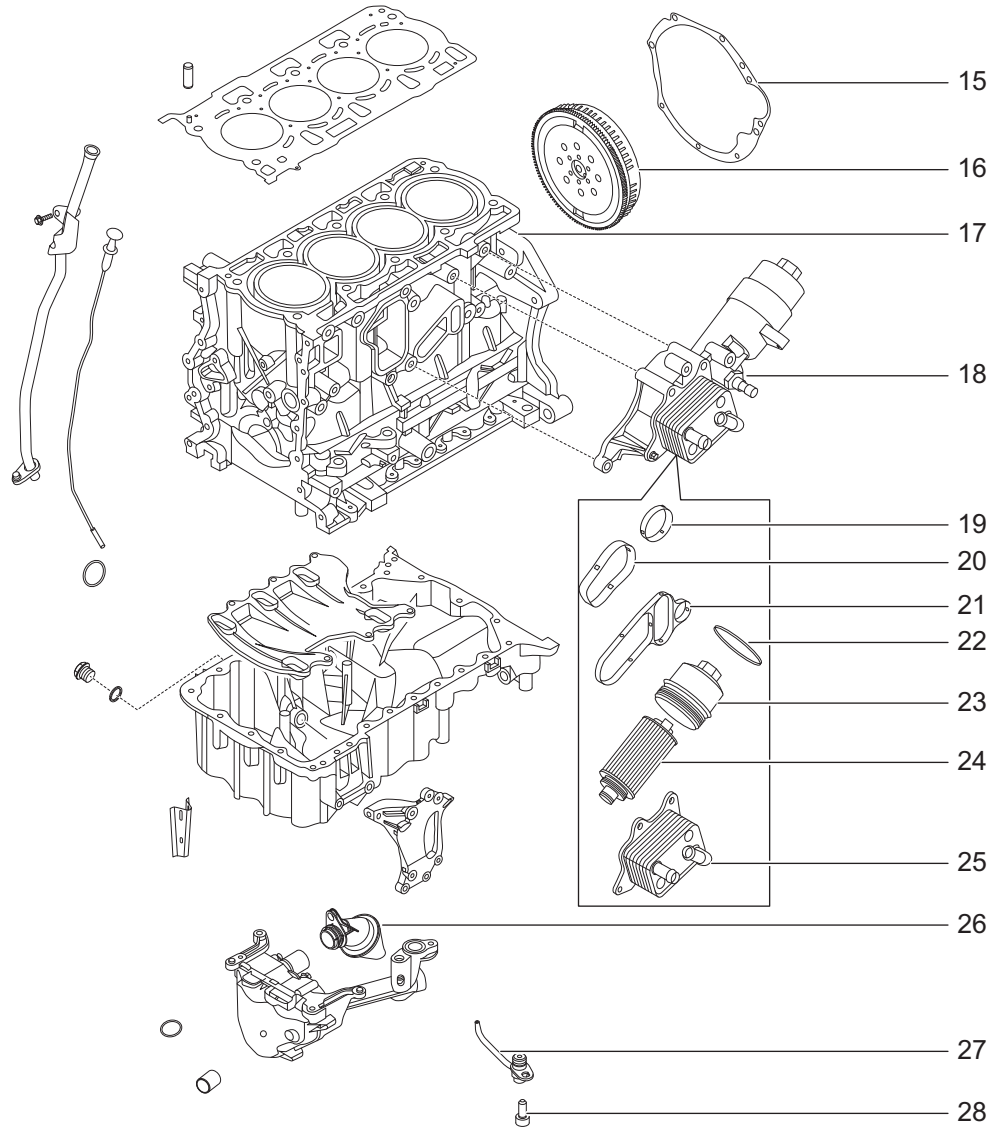


No.	Part No.	Station No.	Station Name	
01	E4T15B-1009031	T1EAAW10090312701	Remove and reinstall oil dipstick	
02	E4T15B-1009032	T1EAAW10090322701	Remove and reinstall Oil dipstick tube	
03	480-1011055AB	T1EAAW10110552701	Remove and reinstall Cup plug $\Phi$ 16	
04	372-1003026	T1EAAW10030262751 Ex: T1EAAW10070832701	Remove and reinstall Cup plug ( $\Phi$ 30) Remove and reinstall Timing chain cover	
05	E4G16-1009013	T1EAAW10090132751 Ex: T1EAAW10090102701	Remove and reinstall Oil insulation plate Remove and reinstall Oil pan assy	
06	480-1012010	T1EAAW10120102701	Remove and reinstall Oil filter assy	
07	E4G15C-1012100	T1EAAW10121002751 Ex: T1EKKK47041152101	Remove and reinstall Oil filter module assy Fill antifreeze coolant	
08	E4G16-1010010BA	T1EAAW10100102751 Ex: T1EAAW10090102701	Remove and reinstall Oil collector assy Remove and reinstall Oil pan assy	
09	481H-1002038	T1EAAW10020382751 Ex: T1ECVT15000102701	Remove and reinstall Transmission locating sleeve Remove and reinstall Transmission assy	
10	E4T15B-1005110AD	T1EAAW10051102751 Ex: T1ECVT15000102701	Remove and reinstall Flexible flywheel washer assy Remove and reinstall Transmission assy	
11	E4T15B-1002010	T1EAAW10020102751 Ex: T1EAAW0000E933651 Ex: T1EAAW0000E932701	Remove and reinstall E4T15B cylinder block with frame assy Disassemble and reassemble E4T15C engine assy Remove and reinstall E4T15C engine assy	
12	473H-1012021	T1EAAW10120212751 Ex: T1EAAW10120102701	Remove and reinstall Joint-oil filter Remove and reinstall Oil filter assy	
13	E4G16-1009010	T1EAAW10090102701	Remove and reinstall Oil pan assy	
14	484J-1009014	T1EAAW10090142701	Remove and reinstall Oil drain plug	
15	481H-1002041	T1EAAW10020412751 Ex: T1EAAW10020422701	Remove and reinstall Drain plug washer Remove and reinstall Oil pan drain plug	
16	481H-1002042	T1EAAW10020422701	Remove and reinstall Oil pan drain plug	



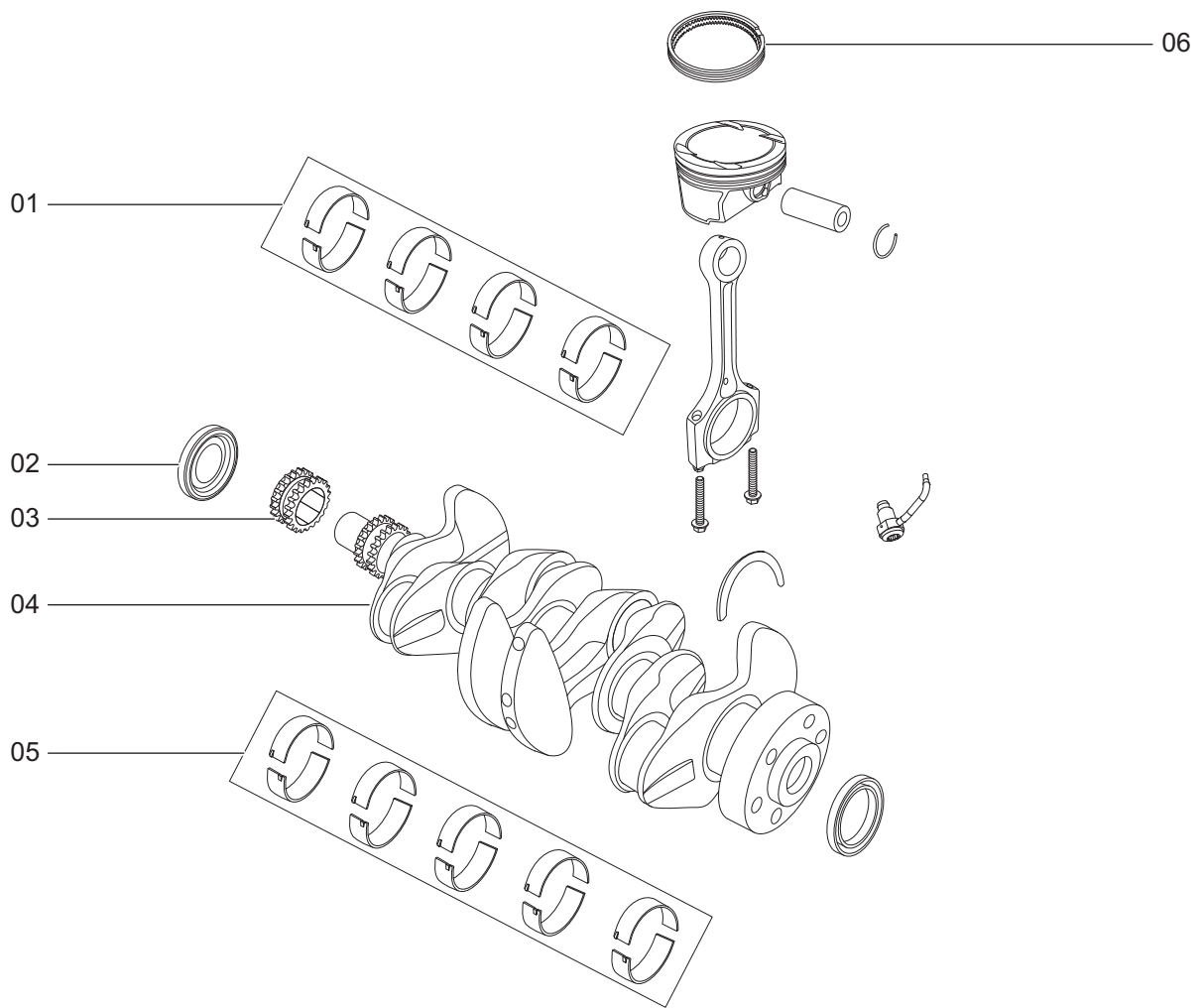
T1E020100

No.	Part No.	Station No.	Station Name	
01	372-1002044	T1EAAY10020442751	Remove and reinstall Cylinder head locating pin	
		Ex: T1EAAY10030102751	Remove and reinstall F4J16 cylinder head assy	
		Ex: T1EAAY10210802751	Remove and reinstall Timing chain assy	
		Ex: T1EAAY10210122701	Remove and reinstall Sprocket cover	
02	F4J16-1003016	T1EAAY10030162751	Remove and reinstall Cylinder gasket	
		Ex: T1EAAY10030102751	Remove and reinstall F4J16 cylinder head assy	
		Ex: T1EAAY10210802751	Remove and reinstall Timing chain assy	
		Ex: T1EAAY10210122701	Remove and reinstall Sprocket cover	
03	F4J16-1009031	T1EAAY10090312701	Remove and reinstall Oil dipstick tube	
04	F4J16-1009032	T1EAAY10090322701	Remove and reinstall oil dipstick	
05	481H-1009114	T1EAAY10091142751	Remove and reinstall O-ring (oil dipstick)	
		Ex: T1EAAY10090312701	Remove and reinstall Oil dipstick tube	
06	F4J16-1009013	T1EAAY10090132751	Remove and reinstall Oil insulation plate	
		Ex: T1EAAY10090102701	Remove and reinstall Oil pan assy	
07	481H-1002042	T1EAAY10020422701	Remove and reinstall Oil pan drain plug	
08	481H-1002041	T1EAAY10020412751	Remove and reinstall Plug washer (16X20-Cu)	
		Ex: T1EAAY10020422701	Remove and reinstall Oil pan drain plug	
09	F4J16-1009010	T1EAAY10090102701	Remove and reinstall Oil pan assy	
10	F4J16-1002012	T1EAAY10020122751	Remove and reinstall Water jacket orifice plate	
		Ex: T1EAAY10030102751	Remove and reinstall F4J16 cylinder head assy	
		Ex: T1EAAY10210802751	Remove and reinstall Timing chain assy	
		Ex: T1EAAY10210122701	Remove and reinstall Sprocket cover	
11	F4J16-1025016	T1EAAY10250162751	Remove and reinstall Bracket assy - compressor	
		Ex: T1EKKK10001312751	Remove and reinstall A/C compressor assy	
		Ex: T1EKKK47020112201	Drain and fill refrigerant	
12	F4J16-1011010	T1EAAY10110102751	Remove and reinstall Oil pump assy	
		Ex: T1EAAY10090102701	Remove and reinstall Oil pan assy	
13	481H-1002037	T1EAAY10020372751	Remove and reinstall Frame O-ring 22x2.5 (oil pan)	
		Ex: T1EAAY10090102701	Remove and reinstall Oil pan assy	
14	481H-1002038	T1EAAY10020382751	Remove and reinstall Transmission locating sleeve	
		Ex: T1EDHB10000062701	Remove and reinstall Automatic transmission assy	



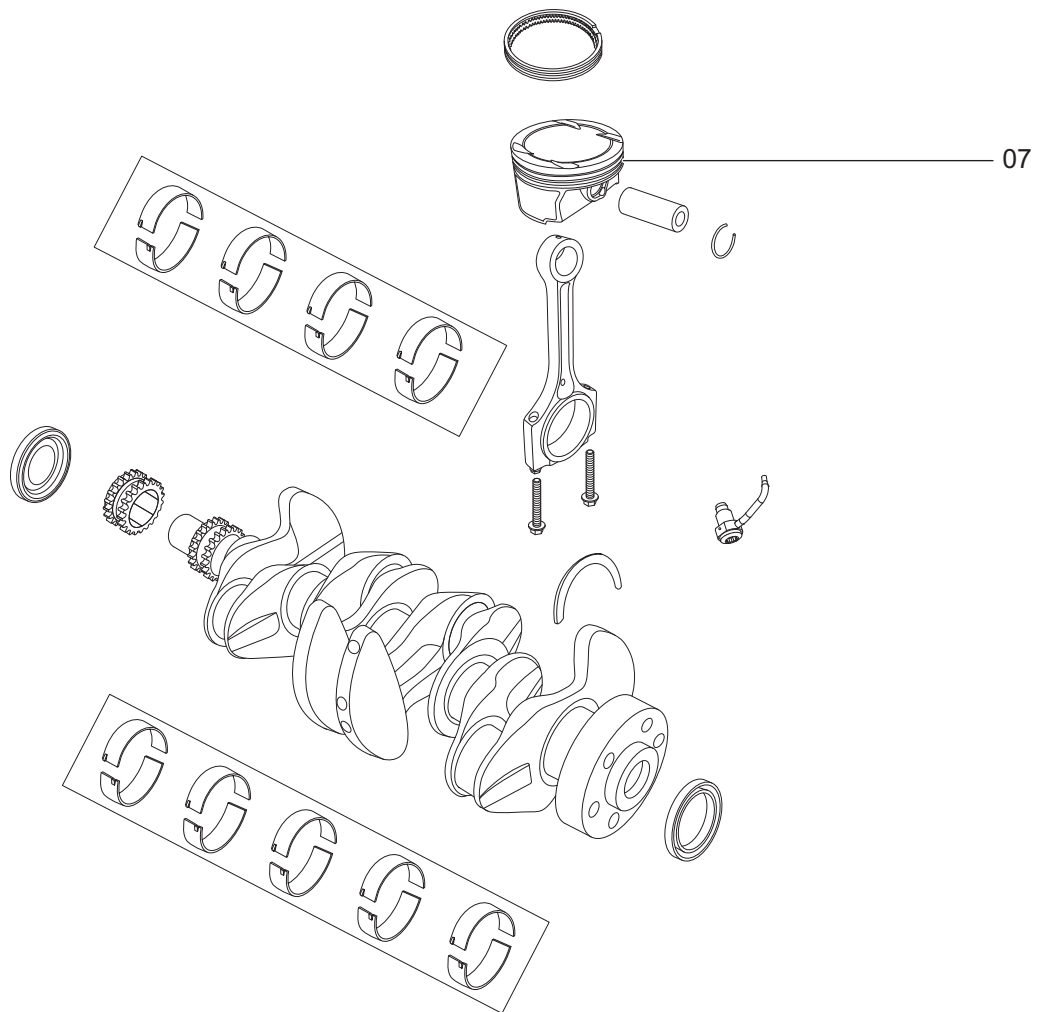
T1E020101

No.	Part No.	Station No.	Station Name	
15	12300007AB	T1EAAY30000072751	Remove and reinstall Panel	
		Ex: T1EDHB10000062701	Remove and reinstall Automatic transmission assy	
16	F4J16-1005110AB	T1EAAY10051102751	Remove and reinstall Flywheel assy	
		Ex: T1EDHB10000062701	Remove and reinstall Automatic transmission assy	
17	F4J16-1002010	T1EAAY10020102751	Remove and reinstall F4J16 cylinder assy	
		Ex: T1EAAY0000E833651	Disassemble and reassemble F4J16 engine assy	
		Ex: T1EAAY0000E832701	Remove and reinstall F4J16 engine assy	
18	F4J16-1012100	T1EAAY10121002751	Remove and reinstall Oil filter module assy	
		Ex: T1EKKK47041152101	Fill antifreeze coolant	
19	F4J16-1013011	T1EAAY10130112751	Remove and reinstall Oil cooler seal ring 1	
		Ex: T1EAAY10130102751	Remove and reinstall Oil cooler assy	
		Ex: T1EKKK47041152201	Drain and fill antifreeze coolant	
20	F4J16-1013012	T1EAAY10130122751	Remove and reinstall Oil cooler seal ring 2	
		Ex: T1EAAY10130102751	Remove and reinstall Oil cooler assy	
		Ex: T1EKKK47041152201	Drain and fill antifreeze coolant	
21	F4J16-1012012	T1EAAY10120122751	Remove and reinstall Oil filter module seal ring	
		Ex: T1EAAY10121002751	Remove and reinstall Oil filter module assy	
		Ex: T1EKKK47041152101	Fill antifreeze coolant	
22	F4J16-1012017	T1EAAY10120172751	Remove and reinstall Oil filter cover O-ring	
		Ex: T1EAAY10120302751	Remove and reinstall Element assy	
		Ex: T1EKKK10001332701	Remove and reinstall Intake hose assy	
23	F4J16-1012090	T1EAAY10120902751	Remove and reinstall Oil filter bypass valve and filter cover assy	
		Ex: T1EAAY10121002751	Remove and reinstall Oil filter module assy	
		Ex: T1EKKK47041152101	Fill antifreeze coolant	
24	F4J16-1012030	T1EAAY10120302751	Remove and reinstall Element assy	
		Ex: T1EKKK10001332701	Remove and reinstall Intake hose assy	
25	F4J16-1013010	T1EAAY10130102751	Remove and reinstall Oil cooler assy	
		Ex: T1EKKK47041152201	Drain and fill antifreeze coolant	
26	F4J16-1010010	T1EAAY10100102751	Remove and reinstall Oil collector	
		Ex: T1EAAY10090102701	Remove and reinstall Oil pan assy	
27	F4J16-1002050	T1EAAY10020502751	Remove and reinstall Piston cooling nozzle	
		Ex: T1EAAY0000E833651	Disassemble and reassemble F4J16 engine assy	
		Ex: T1EAAY0000E832701	Remove and reinstall F4J16 engine assy	
28	F4J16-1002051	T1EAAY10020512751	Remove and reinstall Piston cooling nozzle bolt	
		Ex: T1EAAY0000E833651	Disassemble and reassemble F4J16 engine assy	
		Ex: T1EAAY0000E832701	Remove and reinstall F4J16 engine assy	



T1E020110

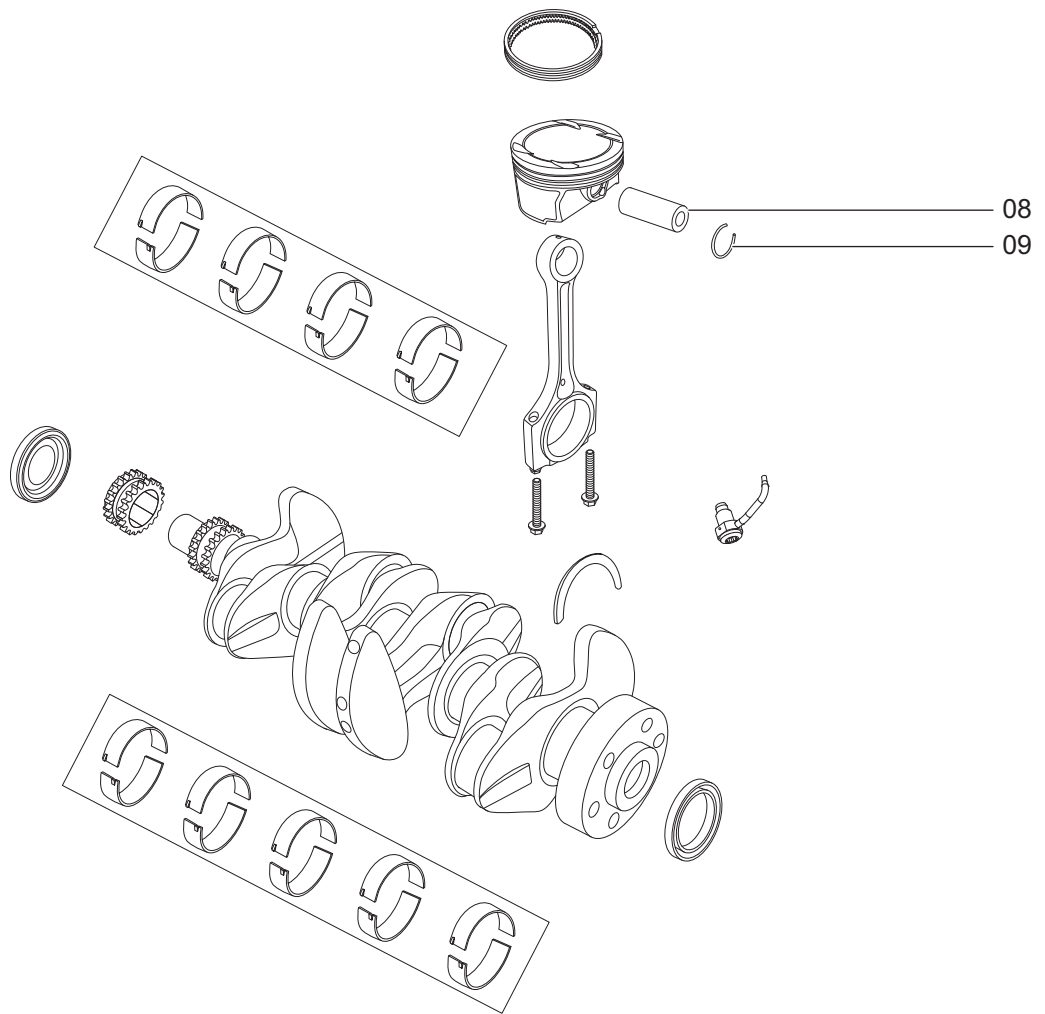
No.	Part No.	Station No.	Station Name	
01	E4G16-BJ1004120	T1EAAW10041202751	Remove and reinstall Connecting rod bearing assy (1 set) red bearing	
		Ex: T1EAAW10041102754	Remove and reinstall 4 Connecting rod assy	
		Ex: T1EAAW10090102701	Remove and reinstall Oil pan assy	
		Ex: T1EAAW10030102751	Remove and reinstall E4T15B cylinder head assy	
		Ex: T1EAAW10070802751	Remove and reinstall Timing chain assy	
		Ex: T1EAAW10070832701	Remove and reinstall Timing chain cover	
	E4G16-BJ1004120BA	T1EAAW10041202761	Remove and reinstall Connecting rod bearing assy (1 set) blue bearing	
		Ex: T1EAAW10041102754	Remove and reinstall 4 Connecting rod assy	
		Ex: T1EAAW10090102701	Remove and reinstall Oil pan assy	
		Ex: T1EAAW10030102751	Remove and reinstall E4T15B cylinder head assy	
		Ex: T1EAAW10070802751	Remove and reinstall Timing chain assy	
		Ex: T1EAAW10070832701	Remove and reinstall Timing chain cover	
02	E4G16-1005040	T1EAAW10050402751	Remove and reinstall Crankshaft FR oil seal assy	
		Ex: T1EAAW10050702751	Remove and reinstall Torsional shock absorber assy	
		Ex: T1EAAW10250512701	Remove and reinstall Ribbed belt	
03	E4G15-1007021	T1EAAW10070212751	Remove and reinstall Crankshaft sprocket	
		Ex: T1EAAW10070802751	Remove and reinstall Timing chain assy	
		Ex: T1EAAW10070832701	Remove and reinstall Timing chain cover	
04	E4T15-1005010	T1EAAW10050102751	Remove and reinstall Crankshaft assy	
		Ex: T1EAAW0000E933651	Disassemble and reassemble E4T15C engine assy	
		Ex: T1EAAW0000E932701	Remove and reinstall E4T15C engine assy	
05	E4G16-BJ1005013	T1EAAW10050132751	Remove and reinstall Crankshaft bearing assy (1 set) red bearing	
		Ex: T1EAAW0000E933651	Disassemble and reassemble E4T15C engine assy	
		Ex: T1EAAW0000E932701	Remove and reinstall E4T15C engine assy	
	E4G16-BJ1005013BA	T1EAAW10050132761	Remove and reinstall Crankshaft bearing assy (1 set) blue bearing	
		Ex: T1EAAW0000E933651	Disassemble and reassemble E4T15C engine assy	
		Ex: T1EAAW0000E932701	Remove and reinstall E4T15C engine assy	
06	E4T15B-BJ1004030	T1EAAW10040302751	Remove and reinstall Piston ring assy (1 set)	
		Ex: T1EAAW10090102701	Remove and reinstall Oil pan assy	
		Ex: T1EAAW10030102751	Remove and reinstall E4T15B cylinder head assy	
		Ex: T1EAAW10070802751	Remove and reinstall Timing chain assy	
		Ex: T1EAAW10070832701	Remove and reinstall Timing chain cover	



T1E020111

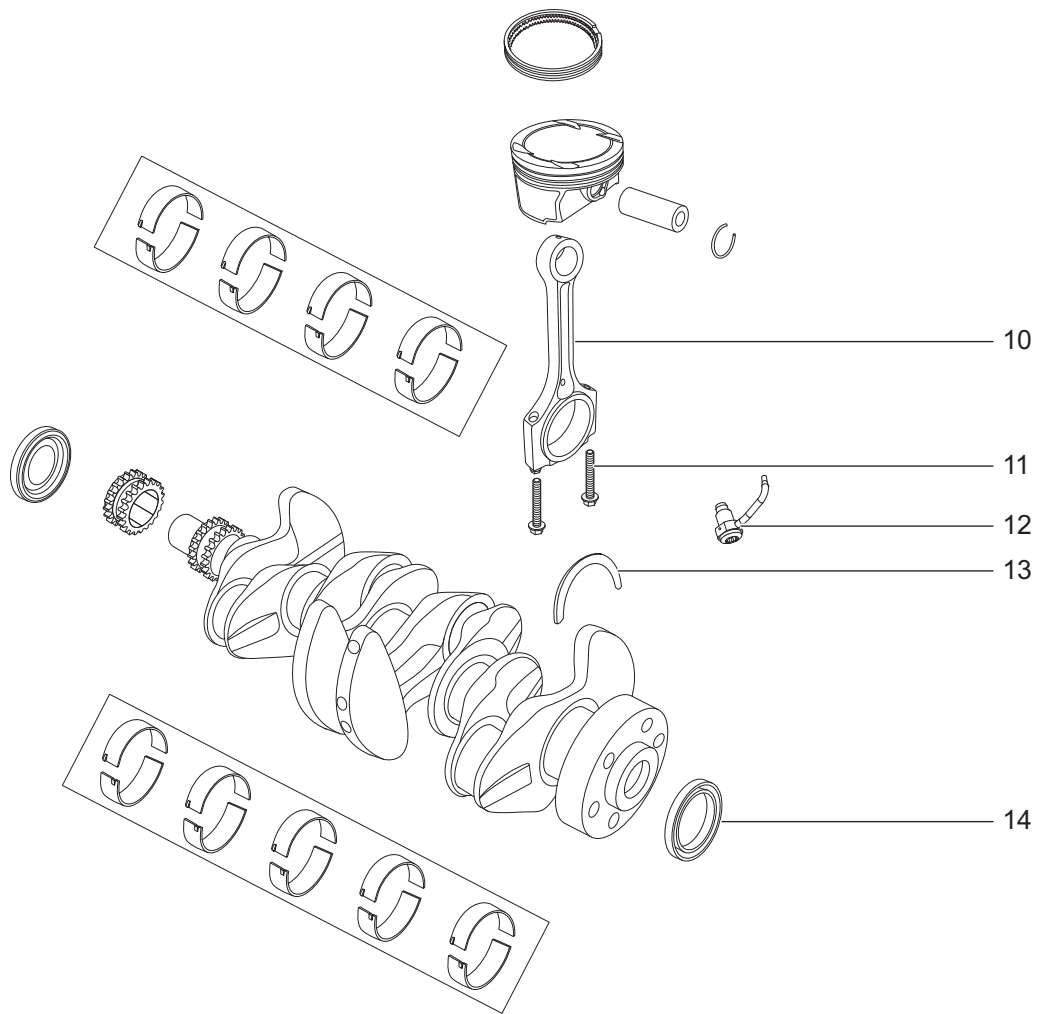


No.	Part No.	Station No.	Station Name	
07	E4T15B-1004015	T1EAAW10040152751	Remove and reinstall 1 Piston	
		Ex: T1EAAW10090102701	Remove and reinstall Oil pan assy	
		Ex: T1EAAW10030102751	Remove and reinstall E4T15B cylinder head assy	
		Ex: T1EAAW10070802751	Remove and reinstall Timing chain assy	
		Ex: T1EAAW10070832701	Remove and reinstall Timing chain cover	
		T1EAAW10040152752	Remove and reinstall 2 Piston	
		Ex: T1EAAW10090102701	Remove and reinstall Oil pan assy	
		Ex: T1EAAW10030102751	Remove and reinstall E4T15B cylinder head assy	
		Ex: T1EAAW10070802751	Remove and reinstall Timing chain assy	
		Ex: T1EAAW10070832701	Remove and reinstall Timing chain cover	
		T1EAAW10040152753	Remove and reinstall 3 Piston	
		Ex: T1EAAW10090102701	Remove and reinstall Oil pan assy	
	Ex: T1EAAW10030102751	Remove and reinstall E4T15B cylinder head assy		
	Ex: T1EAAW10070802751	Remove and reinstall Timing chain assy		
	Ex: T1EAAW10070832701	Remove and reinstall Timing chain cover		
	T1EAAW10040152754	Remove and reinstall 4 Piston		
	Ex: T1EAAW10090102701	Remove and reinstall Oil pan assy		
	Ex: T1EAAW10030102751	Remove and reinstall E4T15B cylinder head assy		
	Ex: T1EAAW10070802751	Remove and reinstall Timing chain assy		
	Ex: T1EAAW10070832701	Remove and reinstall Timing chain cover		
E4T15B-1004130	T1EAAW10041302751	Remove and reinstall 1 Piston		
		Ex: T1EAAW10090102701	Remove and reinstall Oil pan assy	
		Ex: T1EAAW10030102751	Remove and reinstall E4T15B cylinder head assy	
		Ex: T1EAAW10070802751	Remove and reinstall Timing chain assy	
	Ex: T1EAAW10070832701	Remove and reinstall Timing chain cover		
	T1EAAW10041302752	Remove and reinstall 2 Piston		
		Ex: T1EAAW10090102701	Remove and reinstall Oil pan assy	
		Ex: T1EAAW10030102751	Remove and reinstall E4T15B cylinder head assy	
		Ex: T1EAAW10070802751	Remove and reinstall Timing chain assy	
	Ex: T1EAAW10070832701	Remove and reinstall Timing chain cover		
	T1EAAW10041302753	Remove and reinstall 3 Piston		
		Ex: T1EAAW10090102701	Remove and reinstall Oil pan assy	
Ex: T1EAAW10030102751		Remove and reinstall E4T15B cylinder head assy		
Ex: T1EAAW10070802751		Remove and reinstall Timing chain assy		
Ex: T1EAAW10070832701	Remove and reinstall Timing chain cover			
T1EAAW10041302754	Remove and reinstall 4 Piston			
	Ex: T1EAAW10090102701	Remove and reinstall Oil pan assy		
	Ex: T1EAAW10030102751	Remove and reinstall E4T15B cylinder head assy		
	Ex: T1EAAW10070802751	Remove and reinstall Timing chain assy		
Ex: T1EAAW10070832701	Remove and reinstall Timing chain cover			



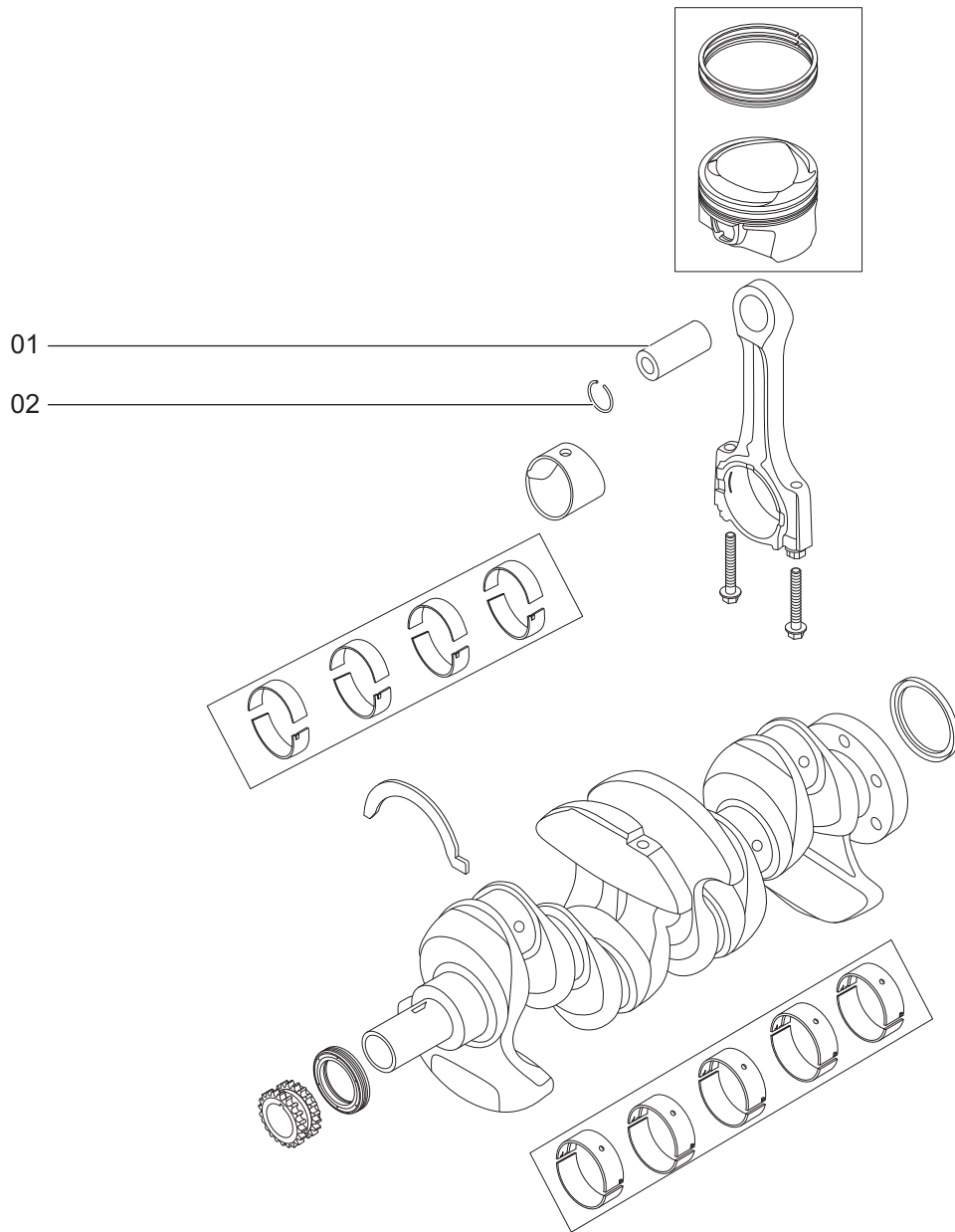
T1E020112

No.	Part No.	Station No.	Station Name
08	E4G16-1004031	T1EAAW10040312751	Remove and reinstall 1 Piston pin
		Ex: T1EAAW10090102701	Remove and reinstall Oil pan assy
		Ex: T1EAAW10030102751	Remove and reinstall E4T15B cylinder head assy
		Ex: T1EAAW10070802751	Remove and reinstall Timing chain assy
		Ex: T1EAAW10070832701	Remove and reinstall Timing chain cover
		T1EAAW10040312752	Remove and reinstall 2 Piston pin
		Ex: T1EAAW10090102701	Remove and reinstall Oil pan assy
		Ex: T1EAAW10030102751	Remove and reinstall E4T15B cylinder head assy
		Ex: T1EAAW10070802751	Remove and reinstall Timing chain assy
		Ex: T1EAAW10070832701	Remove and reinstall Timing chain cover
		T1EAAW10040312753	Remove and reinstall 3 Piston pin
		Ex: T1EAAW10090102701	Remove and reinstall Oil pan assy
		Ex: T1EAAW10030102751	Remove and reinstall E4T15B cylinder head assy
		Ex: T1EAAW10070802751	Remove and reinstall Timing chain assy
		Ex: T1EAAW10070832701	Remove and reinstall Timing chain cover
		T1EAAW10040312754	Remove and reinstall 4 Piston pin
		Ex: T1EAAW10090102701	Remove and reinstall Oil pan assy
		Ex: T1EAAW10030102751	Remove and reinstall E4T15B cylinder head assy
		Ex: T1EAAW10070802751	Remove and reinstall Timing chain assy
		Ex: T1EAAW10070832701	Remove and reinstall Timing chain cover
09	E4G16-1004043	T1EAAW10040432751	Remove and reinstall 1 Elastic retaining ring
		Ex: T1EAAW10090102701	Remove and reinstall Oil pan assy
		Ex: T1EAAW10030102751	Remove and reinstall E4T15B cylinder head assy
		Ex: T1EAAW10070802751	Remove and reinstall Timing chain assy
		Ex: T1EAAW10070832701	Remove and reinstall Timing chain cover
		T1EAAW10040432752	Remove and reinstall 2 Elastic retaining ring
		Ex: T1EAAW10090102701	Remove and reinstall Oil pan assy
		Ex: T1EAAW10030102751	Remove and reinstall E4T15B cylinder head assy
		Ex: T1EAAW10070802751	Remove and reinstall Timing chain assy
		Ex: T1EAAW10070832701	Remove and reinstall Timing chain cover
		T1EAAW10040432753	Remove and reinstall 3 Elastic retaining ring
		Ex: T1EAAW10090102701	Remove and reinstall Oil pan assy
		Ex: T1EAAW10030102751	Remove and reinstall E4T15B cylinder head assy
		Ex: T1EAAW10070802751	Remove and reinstall Timing chain assy
		Ex: T1EAAW10070832701	Remove and reinstall Timing chain cover
		T1EAAW10040432754	Remove and reinstall 4 Elastic retaining ring
		Ex: T1EAAW10090102701	Remove and reinstall Oil pan assy
		Ex: T1EAAW10030102751	Remove and reinstall E4T15B cylinder head assy
		Ex: T1EAAW10070802751	Remove and reinstall Timing chain assy
		Ex: T1EAAW10070832701	Remove and reinstall Timing chain cover



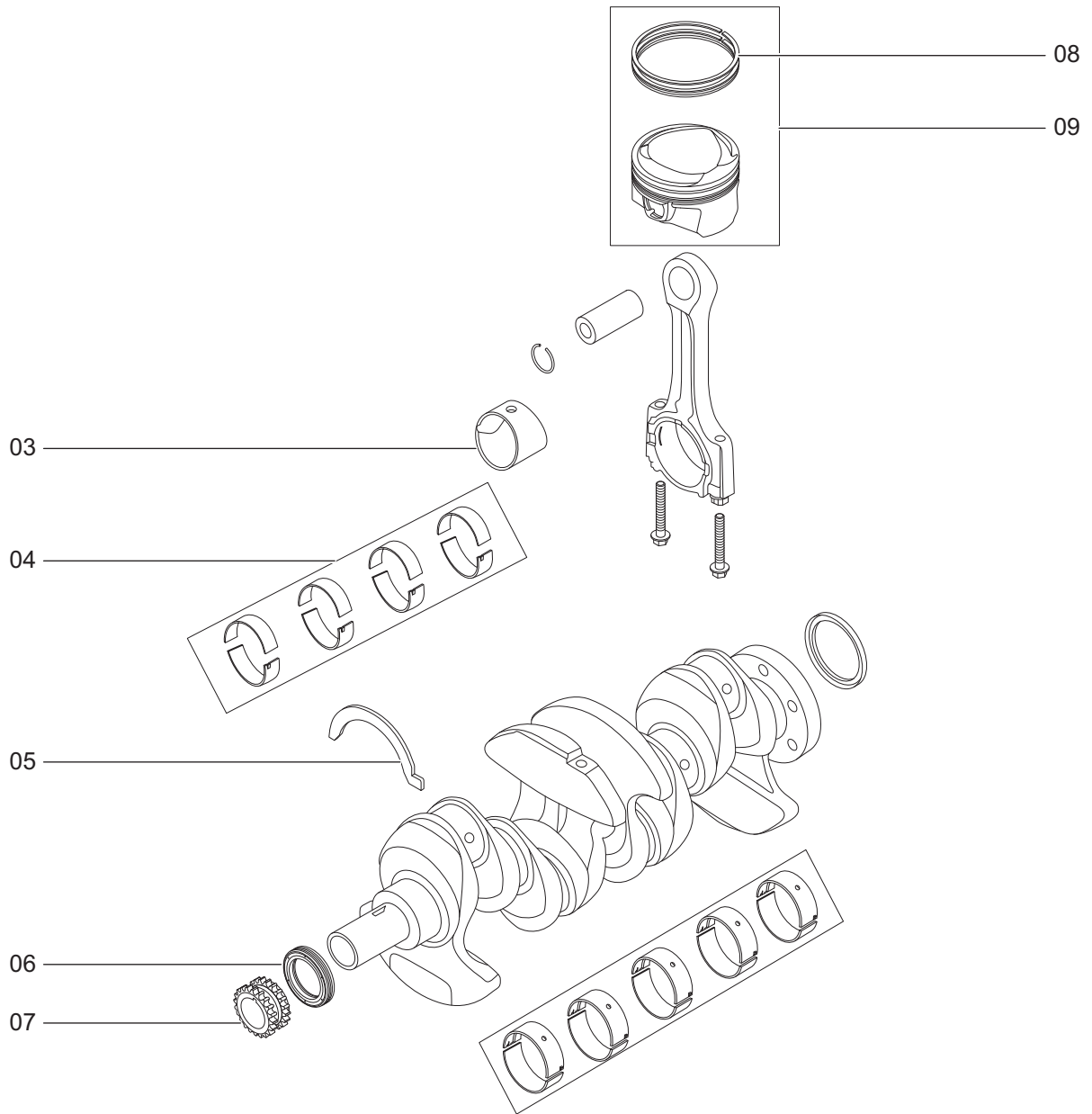
T1E020113

No.	Part No.	Station No.	Station Name	
10	E4G16-1004110AC	T1EAAW10041102751	Remove and reinstall 1 Connecting rod assy	
		Ex: T1EAAW10090102701	Remove and reinstall Oil pan assy	
		Ex: T1EAAW10030102751	Remove and reinstall E4T15B cylinder head assy	
		Ex: T1EAAW10070802751	Remove and reinstall Timing chain assy	
		Ex: T1EAAW10070832701	Remove and reinstall Timing chain cover	
		T1EAAW10041102752	Remove and reinstall 2 Connecting rod assy	
		Ex: T1EAAW10090102701	Remove and reinstall Oil pan assy	
		Ex: T1EAAW10030102751	Remove and reinstall E4T15B cylinder head assy	
		Ex: T1EAAW10070802751	Remove and reinstall Timing chain assy	
		Ex: T1EAAW10070832701	Remove and reinstall Timing chain cover	
		T1EAAW10041102753	Remove and reinstall 3 Connecting rod assy	
		Ex: T1EAAW10090102701	Remove and reinstall Oil pan assy	
		Ex: T1EAAW10030102751	Remove and reinstall E4T15B cylinder head assy	
		Ex: T1EAAW10070802751	Remove and reinstall Timing chain assy	
		Ex: T1EAAW10070832701	Remove and reinstall Timing chain cover	
		T1EAAW10041102754	Remove and reinstall 4 Connecting rod assy	
Ex: T1EAAW10090102701	Remove and reinstall Oil pan assy			
Ex: T1EAAW10030102751	Remove and reinstall E4T15B cylinder head assy			
Ex: T1EAAW10070802751	Remove and reinstall Timing chain assy			
Ex: T1EAAW10070832701	Remove and reinstall Timing chain cover			
11	E4G16-1004115	T1EAAW10041152751	Remove and reinstall Connecting rod bolt	
		Ex: T1EAAW10090102701	Remove and reinstall Oil pan assy	
	F4J16-1004113	T1EAAW10041132751	Remove and reinstall Connecting rod bolt	
		Ex: T1EAAW10090102701	Remove and reinstall Oil pan assy	
12	E4T15B-1002050	T1EAAW10020502751	Remove and reinstall 1 Piston cooling nozzle	
		Ex: T1EAAW0000E933651	Disassemble and reassemble E4T15C engine assy	
		Ex: T1EAAW0000E932701	Remove and reinstall E4T15C engine assy	
		T1EAAW10020502752	Remove and reinstall 2 Piston cooling nozzle	
		Ex: T1EAAW0000E933651	Disassemble and reassemble E4T15C engine assy	
		Ex: T1EAAW0000E932701	Remove and reinstall E4T15C engine assy	
		T1EAAW10020502753	Remove and reinstall 3 Piston cooling nozzle	
		Ex: T1EAAW0000E933651	Disassemble and reassemble E4T15C engine assy	
Ex: T1EAAW0000E932701	Remove and reinstall E4T15C engine assy			
T1EAAW10020502754	Remove and reinstall 4 Piston cooling nozzle			
Ex: T1EAAW0000E933651	Disassemble and reassemble E4T15C engine assy			
Ex: T1EAAW0000E932701	Remove and reinstall E4T15C engine assy			
13	E4G16-1005015	T1EAAW10050152751	Remove and reinstall Crankshaft thrust washer	
		Ex: T1EAAW0000E933651	Disassemble and reassemble E4T15C engine assy	
		Ex: T1EAAW0000E932701	Remove and reinstall E4T15C engine assy	
14	481H-1005030BA	T1EAAW10050302751	Remove and reinstall Crankshaft RR oil seal	
		Ex: T1EAAW10051102751	Remove and reinstall Flexible flywheel washer assy	
		Ex: T1ECVT15000102701	Remove and reinstall Transmission assy	



T1E020120

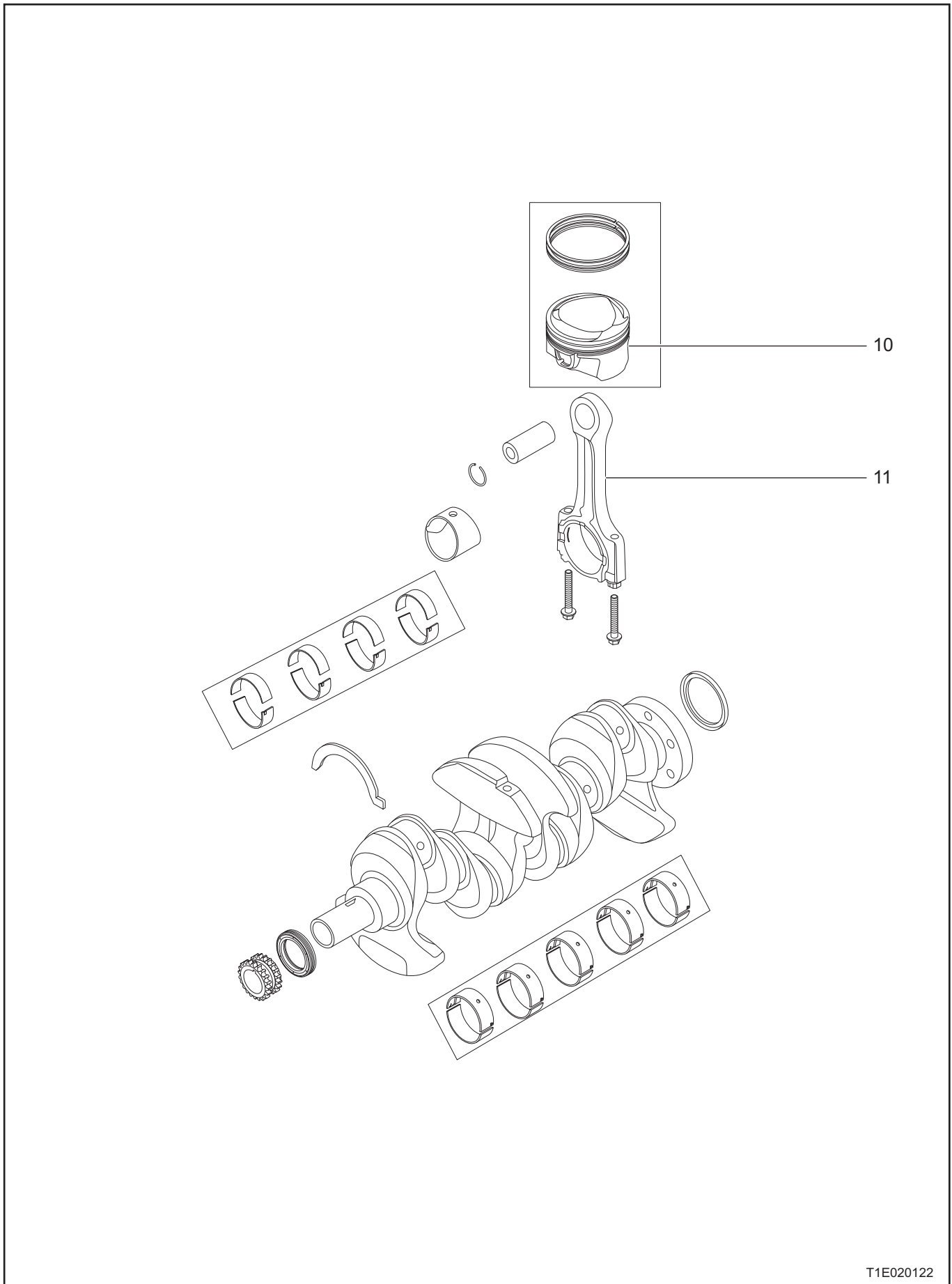
No.	Part No.	Station No.	Station Name	
01	F4J16-1004134AC	T1EAAY10041342751	Remove and reinstall 1 Piston pin	
		Ex: T1EAAY10090102701	Remove and reinstall Oil pan assy	
		Ex: T1EAAY10030102751	Remove and reinstall F4J16 cylinder head assy	
		Ex: T1EAAY10210802751	Remove and reinstall Timing chain assy	
		Ex: T1EAAY10210122701	Remove and reinstall Sprocket cover	
		T1EAAY10041342752	Remove and reinstall 2 Piston pin	
		Ex: T1EAAY10090102701	Remove and reinstall Oil pan assy	
		Ex: T1EAAY10030102751	Remove and reinstall F4J16 cylinder head assy	
		Ex: T1EAAY10210802751	Remove and reinstall Timing chain assy	
		Ex: T1EAAY10210122701	Remove and reinstall Sprocket cover	
		T1EAAY10041342753	Remove and reinstall 3 Piston pin	
		Ex: T1EAAY10090102701	Remove and reinstall Oil pan assy	
		Ex: T1EAAY10030102751	Remove and reinstall F4J16 cylinder head assy	
		Ex: T1EAAY10210802751	Remove and reinstall Timing chain assy	
		Ex: T1EAAY10210122701	Remove and reinstall Sprocket cover	
		T1EAAY10041342754	Remove and reinstall 4 Piston pin	
		Ex: T1EAAY10090102701	Remove and reinstall Oil pan assy	
		Ex: T1EAAY10030102751	Remove and reinstall F4J16 cylinder head assy	
		Ex: T1EAAY10210802751	Remove and reinstall Timing chain assy	
		Ex: T1EAAY10210122701	Remove and reinstall Sprocket cover	
02	F4J16-1004135	T1EAAY10041352751	Remove and reinstall 1 Elastic retaining ring - piston pin	
		Ex: T1EAAY10090102701	Remove and reinstall Oil pan assy	
		Ex: T1EAAY10030102751	Remove and reinstall F4J16 cylinder head assy	
		Ex: T1EAAY10210802751	Remove and reinstall Timing chain assy	
		Ex: T1EAAY10210122701	Remove and reinstall Sprocket cover	
		T1EAAY10041352752	Remove and reinstall 2 Elastic retaining ring - piston pin	
		Ex: T1EAAY10090102701	Remove and reinstall Oil pan assy	
		Ex: T1EAAY10030102751	Remove and reinstall F4J16 cylinder head assy	
		Ex: T1EAAY10210802751	Remove and reinstall Timing chain assy	
		Ex: T1EAAY10210122701	Remove and reinstall Sprocket cover	
		T1EAAY10041352753	Remove and reinstall 3 Elastic retaining ring - piston pin	
		Ex: T1EAAY10090102701	Remove and reinstall Oil pan assy	
		Ex: T1EAAY10030102751	Remove and reinstall F4J16 cylinder head assy	
		Ex: T1EAAY10210802751	Remove and reinstall Timing chain assy	
		Ex: T1EAAY10210122701	Remove and reinstall Sprocket cover	
		T1EAAY10041352754	Remove and reinstall 4 Elastic retaining ring - piston pin	
		Ex: T1EAAY10090102701	Remove and reinstall Oil pan assy	
		Ex: T1EAAY10030102751	Remove and reinstall F4J16 cylinder head assy	
		Ex: T1EAAY10210802751	Remove and reinstall Timing chain assy	
		Ex: T1EAAY10210122701	Remove and reinstall Sprocket cover	



T1E020121

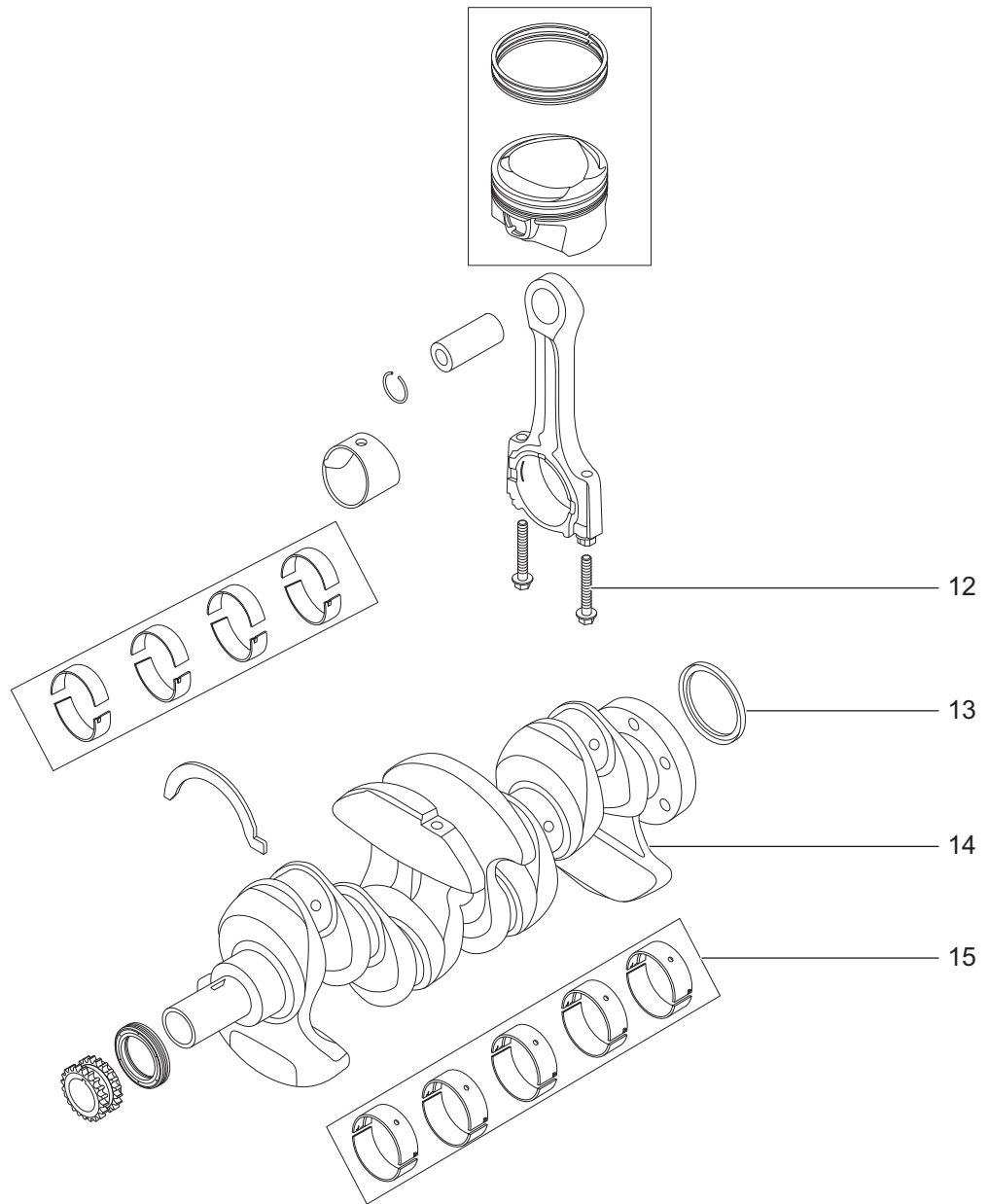


No.	Part No.	Station No.	Station Name
03	F4J16-1004112	T1EAAAY10041122751	Remove and reinstall Connecting rod small end bush
		Ex: T1EAAAY10041102751	Remove and reinstall 1 F4J16 connecting rod assy
		Ex: T1EAAAY10030102751	Remove and reinstall F4J16 cylinder head assy
		Ex: T1EAAAY10090102701	Remove and reinstall Oil pan assy
		Ex: T1EAAAY10210802751	Remove and reinstall Timing chain assy
		Ex: T1EAAAY10210122701	Remove and reinstall Sprocket cover
04	F4J16-BJ1004115	T1EAAAY10041152751	Remove and reinstall Connecting rod bearing assy (1 set) - red
		Ex: T1EAAAY10041102754	Remove and reinstall 4 F4J16 connecting rod assy
		Ex: T1EAAAY10030102751	Remove and reinstall F4J16 cylinder head assy
		Ex: T1EAAAY10090102701	Remove and reinstall Oil pan assy
		Ex: T1EAAAY10210802751	Remove and reinstall Timing chain assy
		Ex: T1EAAAY10210122701	Remove and reinstall Sprocket cover
05	F4J16-1005015	T1EAAAY10050152751	Remove and reinstall Thrust plate
		Ex: T1EAAAY0000E833651	Disassemble and reassemble F4J16 engine assy
		Ex: T1EAAAY0000E832701	Remove and reinstall F4J16 engine assy
06	372A-1005045	T1EAAAY10050452751	Remove and reinstall FR oil seal - crankshaft
		Ex: T1EAAAY10050303751	Replace Torsional damper
		Ex: T1EAAAY10250112701	Remove and reinstall Ribbed belt
07	F4J16-1021011BA	T1EAAAY10210112751	Remove and reinstall Crankshaft sprocket
		Ex: T1EAAAY10210802751	Remove and reinstall Timing chain assy
		Ex: T1EAAAY10210122701	Remove and reinstall Sprocket cover
08	F4J16-BJ1004120	T1EAAAY10041202751	Remove and reinstall Piston ring assy
		Ex: T1EAAAY10090102701	Remove and reinstall Oil pan assy
		Ex: T1EAAAY10030102751	Remove and reinstall F4J16 cylinder head assy
		Ex: T1EAAAY10210802751	Remove and reinstall Timing chain assy
		Ex: T1EAAAY10210122701	Remove and reinstall Sprocket cover
09	F4J16-1004130AB	T1EAAAY10041302751	Remove and reinstall Piston & piston ring assy
		Ex: T1EAAAY10090102701	Remove and reinstall Oil pan assy
		Ex: T1EAAAY10030102751	Remove and reinstall F4J16 cylinder head assy
		Ex: T1EAAAY10210802751	Remove and reinstall Timing chain assy
		Ex: T1EAAAY10210122701	Remove and reinstall Sprocket cover



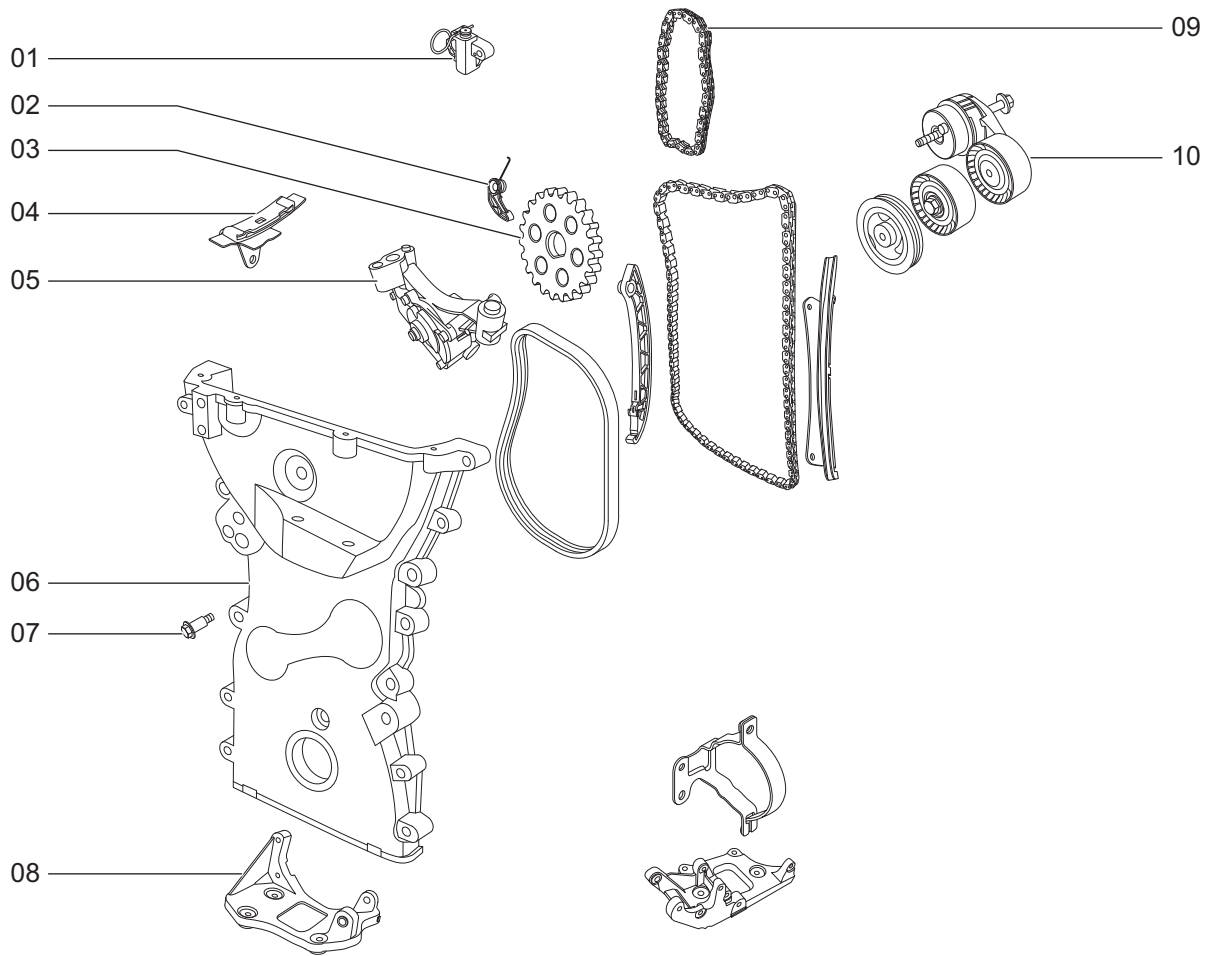
T1E020122

No.	Part No.	Station No.	Station Name	
10	F4J16-1004131AC	T1EAAY10041312751	Remove and reinstall 1 Piston	
		Ex: T1EAAY10090102701	Remove and reinstall Oil pan assy	
		Ex: T1EAAY10030102751	Remove and reinstall F4J16 cylinder head assy	
		Ex: T1EAAY10210802751	Remove and reinstall Timing chain assy	
		Ex: T1EAAY10210122701	Remove and reinstall Sprocket cover	
		T1EAAY10041312752	Remove and reinstall 2 Piston	
		Ex: T1EAAY10090102701	Remove and reinstall Oil pan assy	
		Ex: T1EAAY10030102751	Remove and reinstall F4J16 cylinder head assy	
		Ex: T1EAAY10210802751	Remove and reinstall Timing chain assy	
		Ex: T1EAAY10210122701	Remove and reinstall Sprocket cover	
		T1EAAY10041312753	Remove and reinstall 3 Piston	
		Ex: T1EAAY10090102701	Remove and reinstall Oil pan assy	
		Ex: T1EAAY10030102751	Remove and reinstall F4J16 cylinder head assy	
		Ex: T1EAAY10210802751	Remove and reinstall Timing chain assy	
		Ex: T1EAAY10210122701	Remove and reinstall Sprocket cover	
		T1EAAY10041312754	Remove and reinstall 4 Piston	
		Ex: T1EAAY10090102701	Remove and reinstall Oil pan assy	
		Ex: T1EAAY10030102751	Remove and reinstall F4J16 cylinder head assy	
		Ex: T1EAAY10210802751	Remove and reinstall Timing chain assy	
		Ex: T1EAAY10210122701	Remove and reinstall Sprocket cover	
11	F4J16-1004110	T1EAAY10041102751	Remove and reinstall 1 F4J16 connecting rod assy	
		Ex: T1EAAY10030102751	Remove and reinstall F4J16 cylinder head assy	
		Ex: T1EAAY10090102701	Remove and reinstall Oil pan assy	
		Ex: T1EAAY10210802751	Remove and reinstall Timing chain assy	
		Ex: T1EAAY10210122701	Remove and reinstall Sprocket cover	
		T1EAAY10041102752	Remove and reinstall 2 F4J16 connecting rod assy	
		Ex: T1EAAY10030102751	Remove and reinstall F4J16 cylinder head assy	
		Ex: T1EAAY10090102701	Remove and reinstall Oil pan assy	
		Ex: T1EAAY10210802751	Remove and reinstall Timing chain assy	
		Ex: T1EAAY10210122701	Remove and reinstall Sprocket cover	
		T1EAAY10041102753	Remove and reinstall 3 F4J16 connecting rod assy	
		Ex: T1EAAY10030102751	Remove and reinstall F4J16 cylinder head assy	
		Ex: T1EAAY10090102701	Remove and reinstall Oil pan assy	
		Ex: T1EAAY10210802751	Remove and reinstall Timing chain assy	
		Ex: T1EAAY10210122701	Remove and reinstall Sprocket cover	
		T1EAAY10041102754	Remove and reinstall 4 F4J16 connecting rod assy	
		Ex: T1EAAY10030102751	Remove and reinstall F4J16 cylinder head assy	
		Ex: T1EAAY10090102701	Remove and reinstall Oil pan assy	
		Ex: T1EAAY10210802751	Remove and reinstall Timing chain assy	
		Ex: T1EAAY10210122701	Remove and reinstall Sprocket cover	



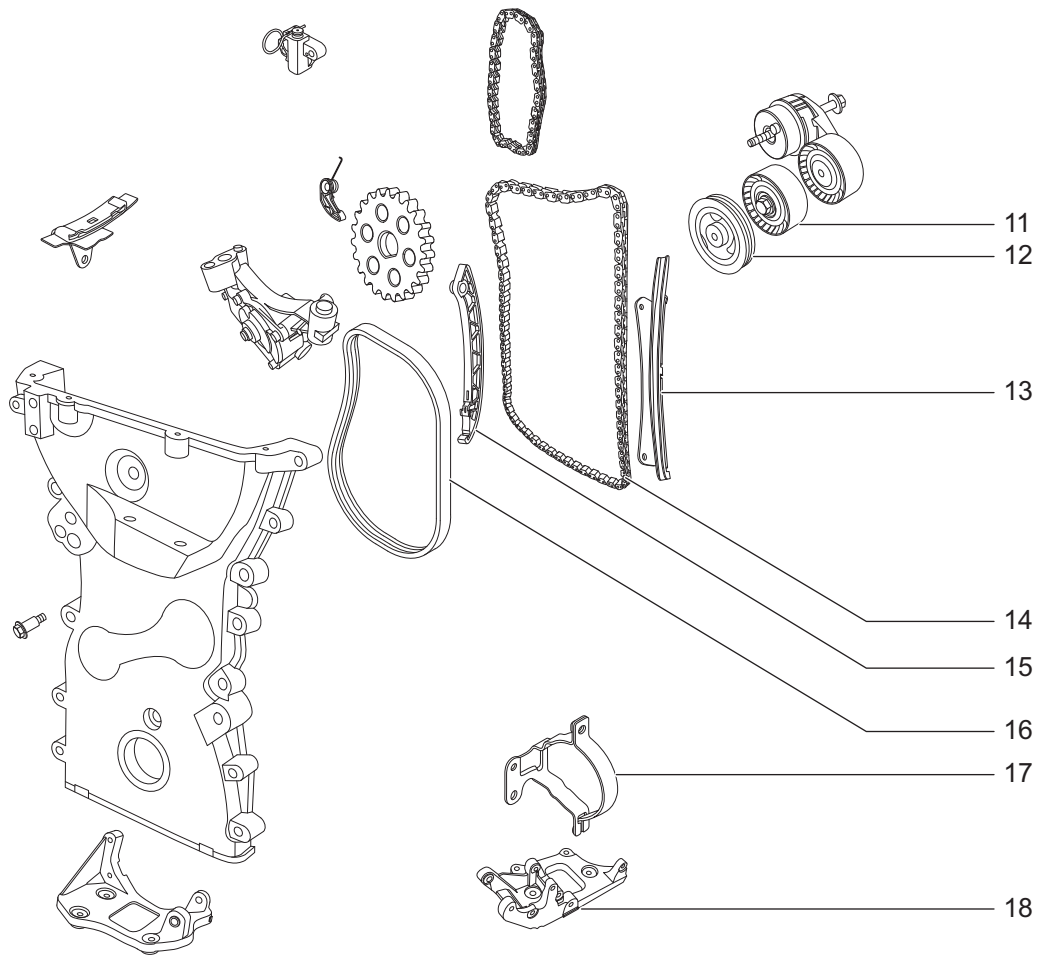
T1E020123

No.	Part No.	Station No.	Station Name
12	F4J16-1004113	T1EAAY10041132751	Remove and reinstall Connecting rod bolt
		Ex: T1EAAY10041102751	Remove and reinstall 1 F4J16 connecting rod assy
		Ex: T1EAAY10030102751	Remove and reinstall F4J16 cylinder head assy
		Ex: T1EAAY10090102701	Remove and reinstall Oil pan assy
		Ex: T1EAAY10210802751	Remove and reinstall Timing chain assy
		Ex: T1EAAY10210122701	Remove and reinstall Sprocket cover
13	372A-1005030	T1EAAY10050302751	Remove and reinstall Crankshaft RR oil seal
		Ex: T1EAAY10051102751	Remove and reinstall Flywheel assy
		Ex: T1EDHB10000062701	Remove and reinstall Automatic transmission assy
14	F4J16-1005011AB	T1EAAY10050112751	Remove and reinstall F4J16 crankshaft assy
		Ex: T1EAAY0000E833651	Disassemble and reassemble F4J16 engine assy
		Ex: T1EAAY0000E832701	Remove and reinstall F4J16 engine assy
15	F4J16-BJ1005012	T1EAAY10050122751	Remove and reinstall Crankshaft bearing assy (1 set) - red
		Ex: T1EAAY0000E833651	Disassemble and reassemble F4J16 engine assy
		Ex: T1EAAY0000E832701	Remove and reinstall F4J16 engine assy
	F4J16-BJ1005012AE	T1EAAY10050122761	Remove and reinstall Crankshaft bearing assy (1 set) - blue
		Ex: T1EAAY0000E833651	Disassemble and reassemble F4J16 engine assy
		Ex: T1EAAY0000E832701	Remove and reinstall F4J16 engine assy



T1E020130

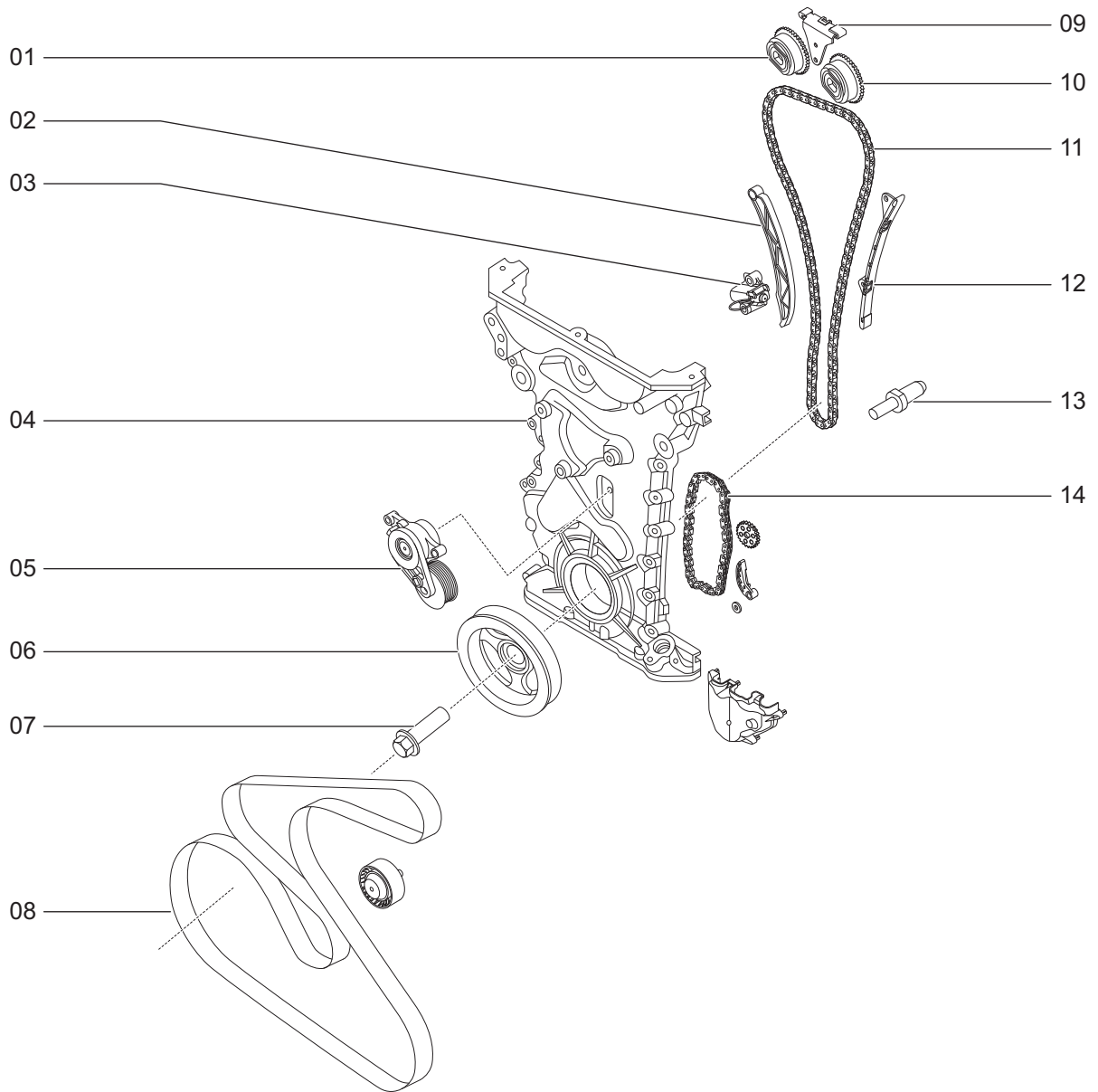
No.	Part No.	Station No.	Station Name	
01	E4G16-1007040BA	T1EAAW10070403751	Replace Hydraulic tensioner assy	
		Ex: T1EAAW10070832701	Remove and reinstall Timing chain cover	
02	E4G16-1011070BA	T1EAAW10110702751	Remove and reinstall Oil pump movable guide rail assy	
		Ex: T1EAAW10090102701	Remove and reinstall Oil pan assy	
03	E4G15-1011037	T1EAAW10110372751	Remove and reinstall Oil pump sprocket	
		Ex: T1EAAW10110702751	Remove and reinstall Oil pump movable guide rail assy	
		Ex: T1EAAW10090102701	Remove and reinstall Oil pan assy	
04	E4G15-1007070	T1EAAW10070702751	Remove and reinstall UPR rail assy	
		Ex: T1EAAW10070832701	Remove and reinstall Timing chain cover	
05	E4T16-1011030	T1EAAW10110302751	Remove and reinstall Oil pump assy	
		Ex: T1EAAW10090102701	Remove and reinstall Oil pan assy	
06	E4T16-1007083	T1EAAW10070832701	Remove and reinstall Timing chain cover	
07	E4G16-1007071	T1EAAW10070712751	Remove and reinstall Bolt - movable guide rail	
		Ex: T1EAAW10070502751	Remove and reinstall Movable guide rail assy	
		Ex: T1EAAW10070832701	Remove and reinstall Timing chain cover	
08	E4T15B-3701050BA	T1EAAW37010502751	Remove and reinstall Alternator bracket assy (EPS)	
		Ex: T1EAAW37010102751	Remove and reinstall Generator assy	
		Ex: T1EAAW10250512701	Remove and reinstall Ribbed belt	
09	E4G15-1011060	T1EAAW10110602751	Remove and reinstall Oil pump chain assy	
		Ex: T1EAAW10090102701	Remove and reinstall Oil pan assy	
		Ex: T1EAAW10070802751	Remove and reinstall Timing chain assy	
		Ex: T1EAAW10070832701	Remove and reinstall Timing chain cover	
10	S12-8111200	T1EAAW81112002751	Remove and reinstall Mechanical tensioner assy	
		Ex: T1EAAW10250512701	Remove and reinstall Ribbed belt	



T1E020131

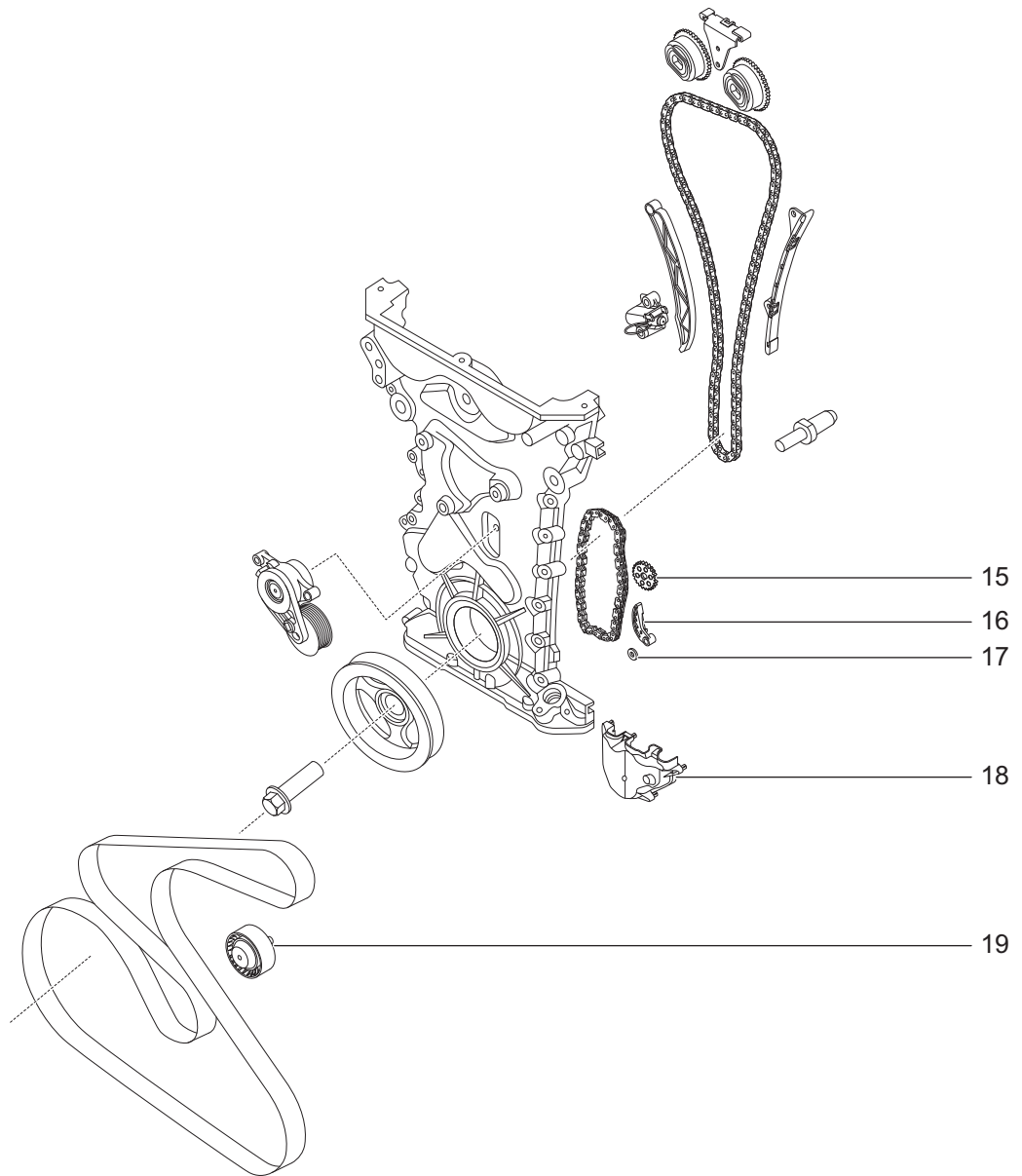


No.	Part No.	Station No.	Station Name	
11	E4G15-1025070	T1EAAW10250702751	Remove and reinstall Idler assy	
		Ex: T1EAAW10250512701	Remove and reinstall Ribbed belt	
12	E4G18-1005070	T1EAAW10050702751	Remove and reinstall Torsional shock absorber assy	
		Ex: T1EAAW10250512701	Remove and reinstall Ribbed belt	
13	E4G16-1007060BA	T1EAAW10070602751	Remove and reinstall Fixing guide rail assy	
		Ex: T1EAAW10070832701	Remove and reinstall Timing chain cover	
14	E4G18-1007080	T1EAAW10070802751	Remove and reinstall Timing chain assy	
		Ex: T1EAAW10070832701	Remove and reinstall Timing chain cover	
15	E4T16-1007050BA	T1EAAW10070502751	Remove and reinstall Movable guide rail assy	
		Ex: T1EAAW10070832701	Remove and reinstall Timing chain cover	
16	E4T15-1025051AB	T1EAAW10250512701	Remove and reinstall Ribbed belt	
17	E4T15B-1118011	T1EAAW11180112701	Remove and reinstall Bracket - electronic water pump	
18	E4G16-8103020	T1EAAW81030202751	Remove and reinstall A/C compressor bracket assy	
		Ex: T1EKKK10001312751	Remove and reinstall A/C compressor assy	
		Ex: T1EKKK47020112201	Drain and fill refrigerant	



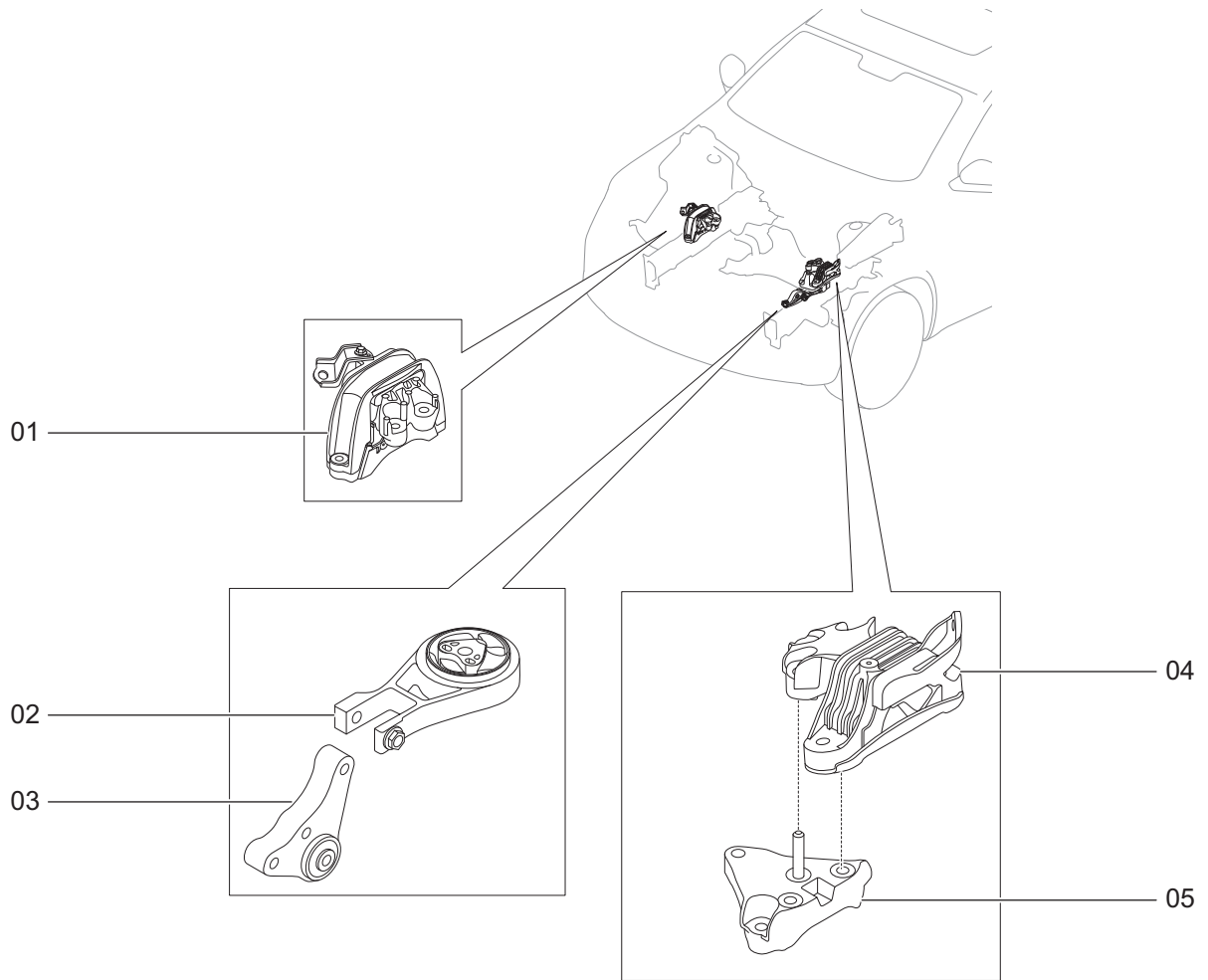
T1E020140

No.	Part No.	Station No.	Station Name	
01	F4J16-1006040	T1EAAY10060402751	Remove and reinstall Exhaust phaser	
		Ex: T1EAAY10210802751	Remove and reinstall Timing chain assy	
		Ex: T1EAAY10210122701	Remove and reinstall Sprocket cover	
02	F4J16-1021050BA	T1EAAY10210502751	Remove and reinstall Movable guide rail assy	
		Ex: T1EAAY10210122701	Remove and reinstall Sprocket cover	
03	F4J16-1021030	T1EAAY10210302751	Remove and reinstall Hydraulic tensioner assy	
		Ex: T1EAAY10210122701	Remove and reinstall Sprocket cover	
04	F3J12-1021012	T1EAAY10210122701	Remove and reinstall Sprocket cover	
05	F3J12-1025010AB	T1EAAY10250102751	Remove and reinstall Mechanical tensioner assy	
		Ex: T1EAAY10250112701	Remove and reinstall Ribbed belt	
06	F4J16-1005030	T1EAAY10050303751	Replace Torsional damper	
		Ex: T1EAAY10250112701	Remove and reinstall Ribbed belt	
07	F3J12-1005031	T1EAAY10050312751	Remove and reinstall Bolt - torsional damper	
		Ex: T1EAAY10250112701	Remove and reinstall Ribbed belt	
08	F4J16-1025011AC	T1EAAY10250112701	Remove and reinstall Ribbed belt	
09	F4J16-1021070	T1EAAY10210702751	Remove and reinstall UPR TRACK ASSY-CHAIN	
		Ex: T1EAAY10210122701	Remove and reinstall Sprocket cover	
10	F4J16-1006030	T1EAAY10060302751	Remove and reinstall Intake phaser	
		Ex: T1EAAY10210802751	Remove and reinstall Timing chain assy	
		Ex: T1EAAY10210122701	Remove and reinstall Sprocket cover	
11	F3J12-1021080	T1EAAY10210802751	Remove and reinstall Timing chain assy	
		Ex: T1EAAY10210122701	Remove and reinstall Sprocket cover	
12	F4J16-1021090BA	T1EAAY10210902751	Remove and reinstall Fixing guide rail assy	
		Ex: T1EAAY10210122701	Remove and reinstall Sprocket cover	
13	F4J16-1021012	T1EAAY10210122751	Remove and reinstall Injection - timing chain	
		Ex: T1EAAY10210122701	Remove and reinstall Sprocket cover	
14	F3J12-1011050BA	T1EAAY10110502751	Remove and reinstall Oil pump chain assy	
		Ex: T1EAAY10090102701	Remove and reinstall Oil pan assy	
		Ex: T1EAAY10210802751	Remove and reinstall Timing chain assy	
		Ex: T1EAAY10210122701	Remove and reinstall Sprocket cover	



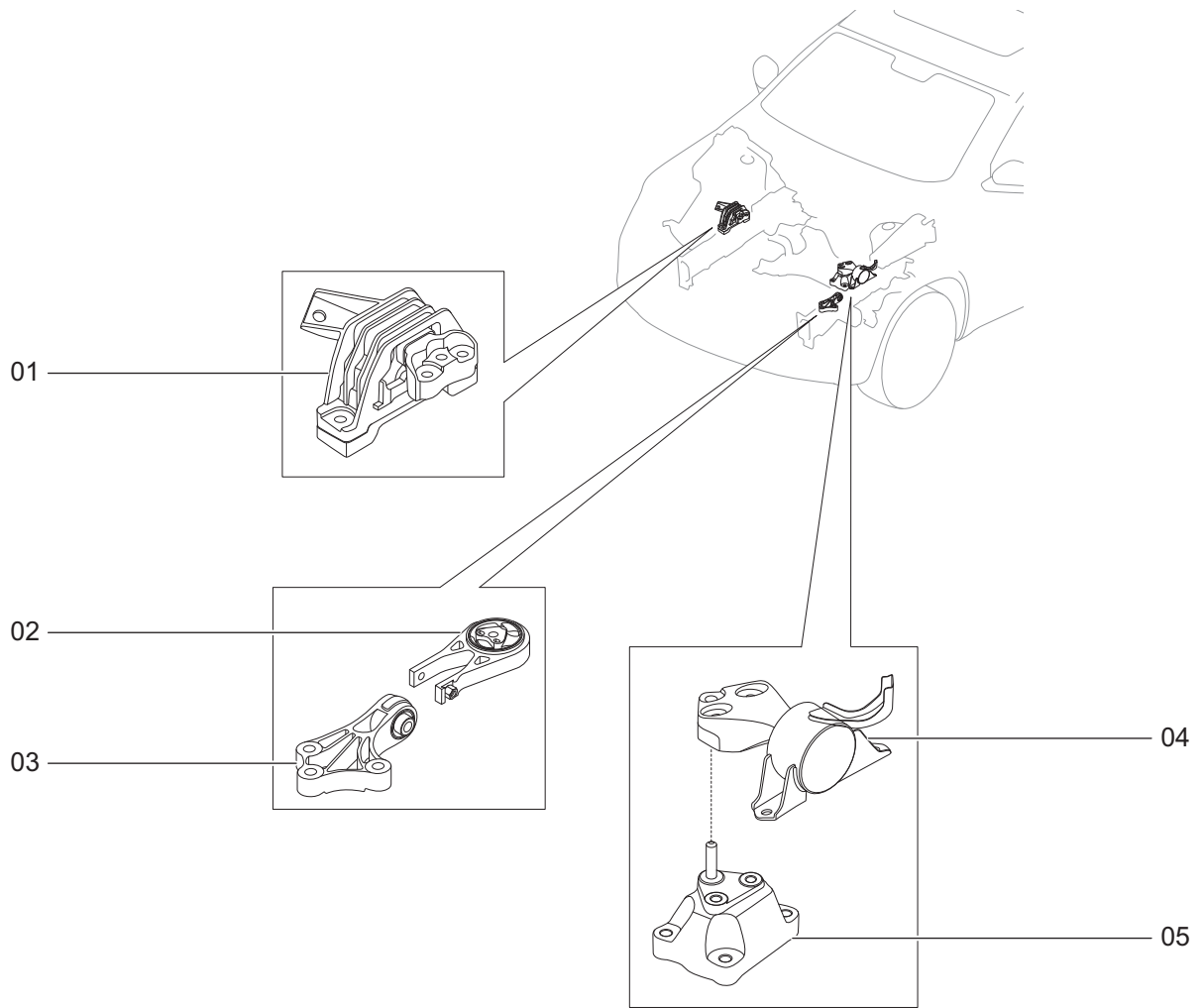
T1E020141

No.	Part No.	Station No.	Station Name	
15	F4J16-1011037	T1EAAY10110372751	Remove and reinstall Oil pump sprocket	
		Ex: T1EAAY10110302751	Remove and reinstall Oil pump movable guide rail	
		Ex: T1EAAY10090102701	Remove and reinstall Oil pan assy	
16	F4J16-1011030	T1EAAY10110302751	Remove and reinstall Oil pump movable guide rail	
		Ex: T1EAAY10090102701	Remove and reinstall Oil pan assy	
17	F4J16-1005032	T1EAAY10050322751	Remove and reinstall Sealing washer	
		Ex: T1EAAY10250112701	Remove and reinstall Ribbed belt	
18	F4J16-1011016	T1EAAY10110162751	Remove and reinstall Oil pump sprocket cover	
		Ex: T1EAAY10090102701	Remove and reinstall Oil pan assy	
19	E4G16-1025070	T1EAAY10250702751	Remove and reinstall Idler assy	
		Ex: T1EAAY10250112701	Remove and reinstall Ribbed belt	



T1E020150

No.	Part No.	Station No.	Station Name	
01	206000229AA	T1EKKK60002292701	Remove and reinstall RH mounting cushion assy	
02	206000231AA	T1EKKK60002312701	Remove and reinstall Rear mounting lower body	
03	206000230AA	T1EKKK60002302701	Remove and reinstall Rear mounting upper body	
04	206000228AA	T1EKKK60002282751 Ex: T1EKKK37030112751 Ex: T1EKKK37030102701	Remove and reinstall LH mounting cushion assy Remove and reinstall Battery tray Remove and reinstall Battery	
05	206000232AA	T1EKKK60002322751 Ex: T1EKKK60002282751 Ex: T1EKKK37030112751 Ex: T1EKKK37030102701	Remove and reinstall LH mounting bracket assy Remove and reinstall LH mounting cushion assy Remove and reinstall Battery tray Remove and reinstall Battery	



T1E020160

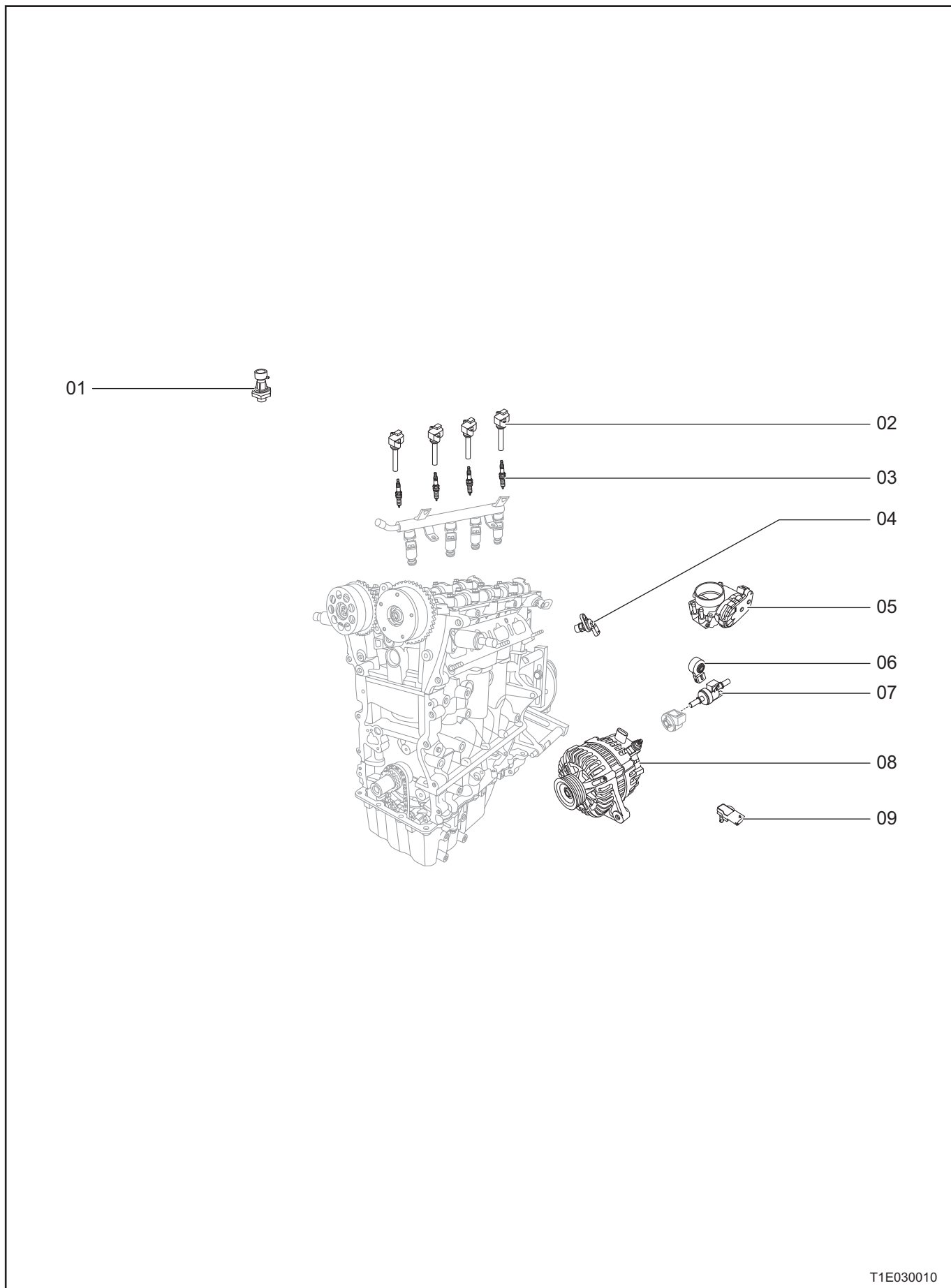


No.	Part No.	Station No.	Station Name	
01	206000097AA	T1EKKK60000972701	Remove and reinstall RH mounting cushion assy	
02	206000100AA	T1EKKK60001002701	Remove and reinstall Rear mounting lower body	
03	206000119AA	T1EKKK60001192701	Remove and reinstall Rear mounting upper body	
04	206000096AA	T1EKKK60000962751	Remove and reinstall LH mounting cushion assy	
		Ex: T1EKKK37030112751	Remove and reinstall Battery tray	
		Ex: T1EKKK37030102701	Remove and reinstall Battery	
05	206000117AA	T1EKKK60001172751	Remove and reinstall LH mounting bracket assy	
		Ex: T1EKKK60000962751	Remove and reinstall LH mounting cushion assy	
		Ex: T1EKKK37030112751	Remove and reinstall Battery tray	
		Ex: T1EKKK37030102701	Remove and reinstall Battery	



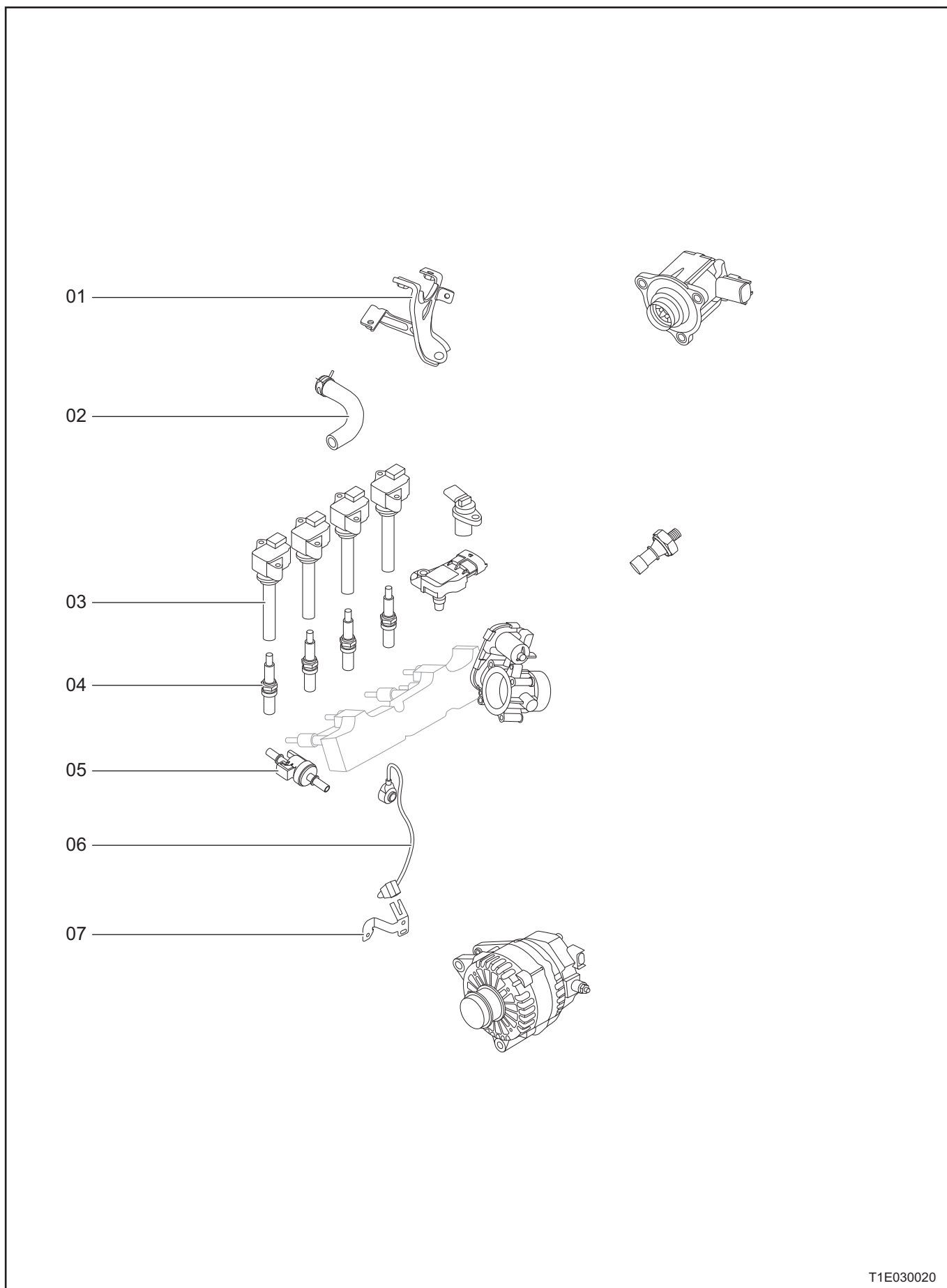
## **IGNITION - COOLING**

<b>Ignition system, electrical control component (E4T15C) .....</b>	<b>03-2</b>
<b>Ignition system, electrical control component (F4J16) .....</b>	<b>03-4</b>
<b>Cooling system (E4T15C) .....</b>	<b>03-8</b>
<b>Cooling system (F4J16) .....</b>	<b>03-10</b>
<b>Intercooler system .....</b>	<b>03-12</b>
<b>High temperature Cooling system .....</b>	<b>03-14</b>
<b>Low temperature Cooling system .....</b>	<b>03-16</b>
<b>High temperature Cooling system .....</b>	<b>03-18</b>



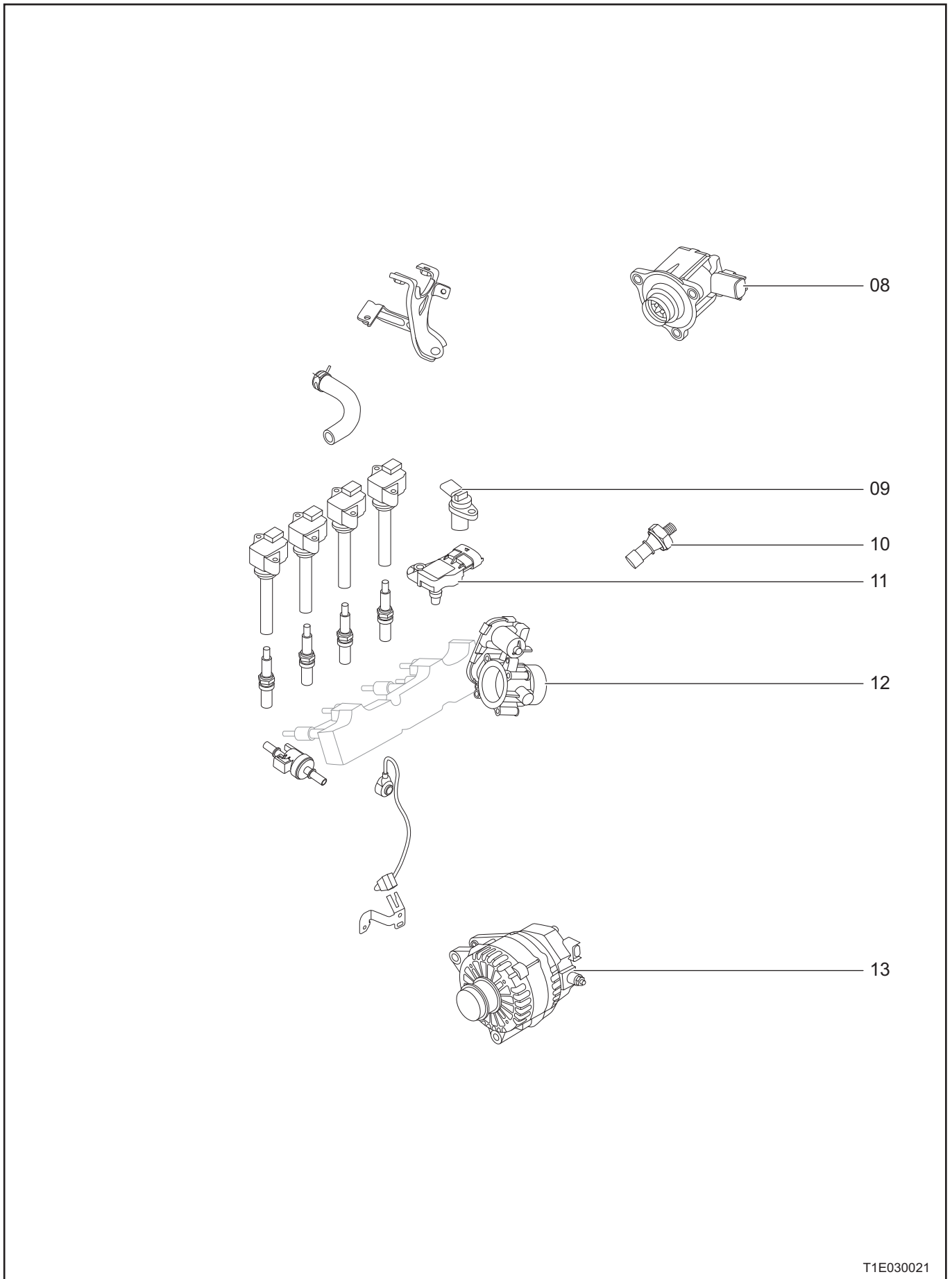
T1E030010

No.	Part No.	Station No.	Station Name	
01	F4J16-3810010	T1EAAW38100102701	Remove and reinstall Oil pressure switch	
02	F4J16-3705110AB	T1EAAW37051102701	Remove and reinstall 1 Ignition coil assy	
		T1EAAW37051102702	Remove and reinstall 2 Ignition coil assy	
		T1EAAW37051102703	Remove and reinstall 3 Ignition coil assy	
		T1EAAW37051102704	Remove and reinstall 4 Ignition coil assy	
03	F4J16-3707010	T1EAAW37070102751	Remove and reinstall 1 Spark plug assy	
		Ex: T1EAAW37051102701	Remove and reinstall 1 Ignition coil assy	
		T1EAAW37070102752	Remove and reinstall 2 Spark plug assy	
		Ex: T1EAAW37051102702	Remove and reinstall 2 Ignition coil assy	
		T1EAAW37070102753	Remove and reinstall 3 Spark plug assy	
		Ex: T1EAAW37051102703	Remove and reinstall 3 Ignition coil assy	
		T1EAAW37070102754	Remove and reinstall 4 Spark plug assy	
		Ex: T1EAAW37051102704	Remove and reinstall 4 Ignition coil assy	
04	D4G15B-3611011	T1EAAW36110112701	Remove and reinstall Camshaft position sensor	
05	E4G15B-3765010	T1EAAW37650102701	Remove and reinstall Throttle valve body assy	
06	371F-3611031	T1EAAW36110312701	Remove and reinstall Knock sensor	
07	F4J16-1130011	T1EAAW11300112701	Remove and reinstall Charcoal canister solenoid valve	
08	E4G16-3701010EA	T1EAAW37010102751	Remove and reinstall Generator assy	
		Ex: T1EAAW10250512701	Remove and reinstall Ribbed belt	
09	B11-3614022	T1EAAW36140222701	Remove and reinstall Turbocharger pressure sensor	



T1E030020

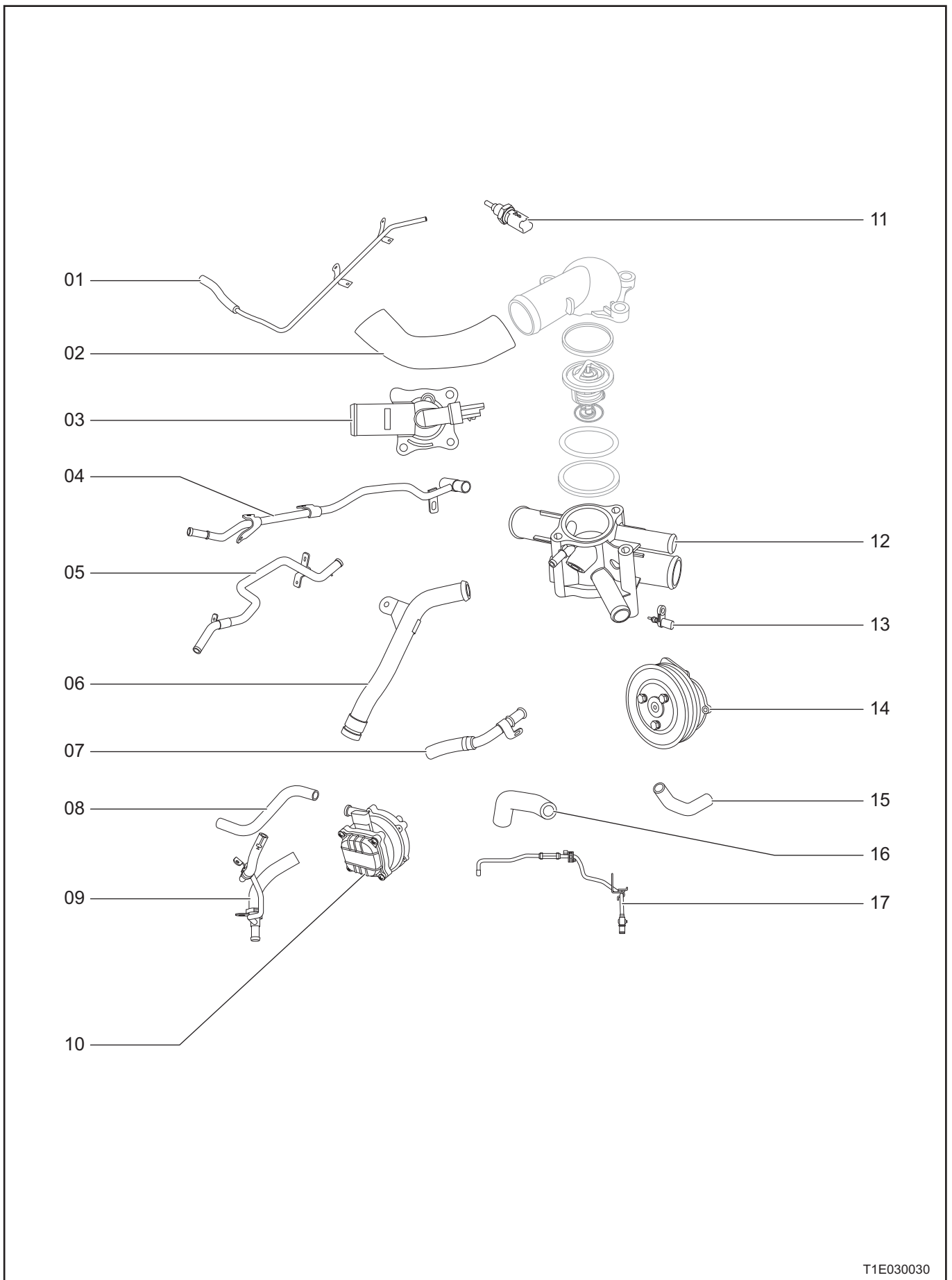
No.	Part No.	Station No.	Station Name	
01	F4J16-1008016	T1EAAY10080162701	Remove and reinstall Intake manifold bracket	
02	F4J16-1014010BA	T1EAAY10140102701	Remove and reinstall Hose - intake manifold assy	
03	F4J16-3705110AB	T1EAAY37051102701	Remove and reinstall 1 Ignition coil assy	
		T1EAAY37051102702	Remove and reinstall 2 Ignition coil assy	
		T1EAAY37051102703	Remove and reinstall 3 Ignition coil assy	
		T1EAAY37051102704	Remove and reinstall 4 Ignition coil assy	
04	F4J16-3707010	T1EAAY37070102751	Remove and reinstall 1 Spark plug assy	
		Ex: T1EAAY37051102701	Remove and reinstall 1 Ignition coil assy	
		T1EAAY37070102752	Remove and reinstall 2 Spark plug assy	
		Ex: T1EAAY37051102702	Remove and reinstall 2 Ignition coil assy	
		T1EAAY37070102753	Remove and reinstall 3 Spark plug assy	
		Ex: T1EAAY37051102703	Remove and reinstall 3 Ignition coil assy	
05	F4J16-1130011	T1EAAY11300112701	Remove and reinstall Charcoal canister solenoid valve	
06	A21-3611031	T1EAAY36110312701	Remove and reinstall Knock sensor	
07	F4J16-3611033	T1EAAY36110332751	Remove and reinstall Knock sensor bracket	
		Ex: T1EAAY36110312701	Remove and reinstall Knock sensor	



T1E030021

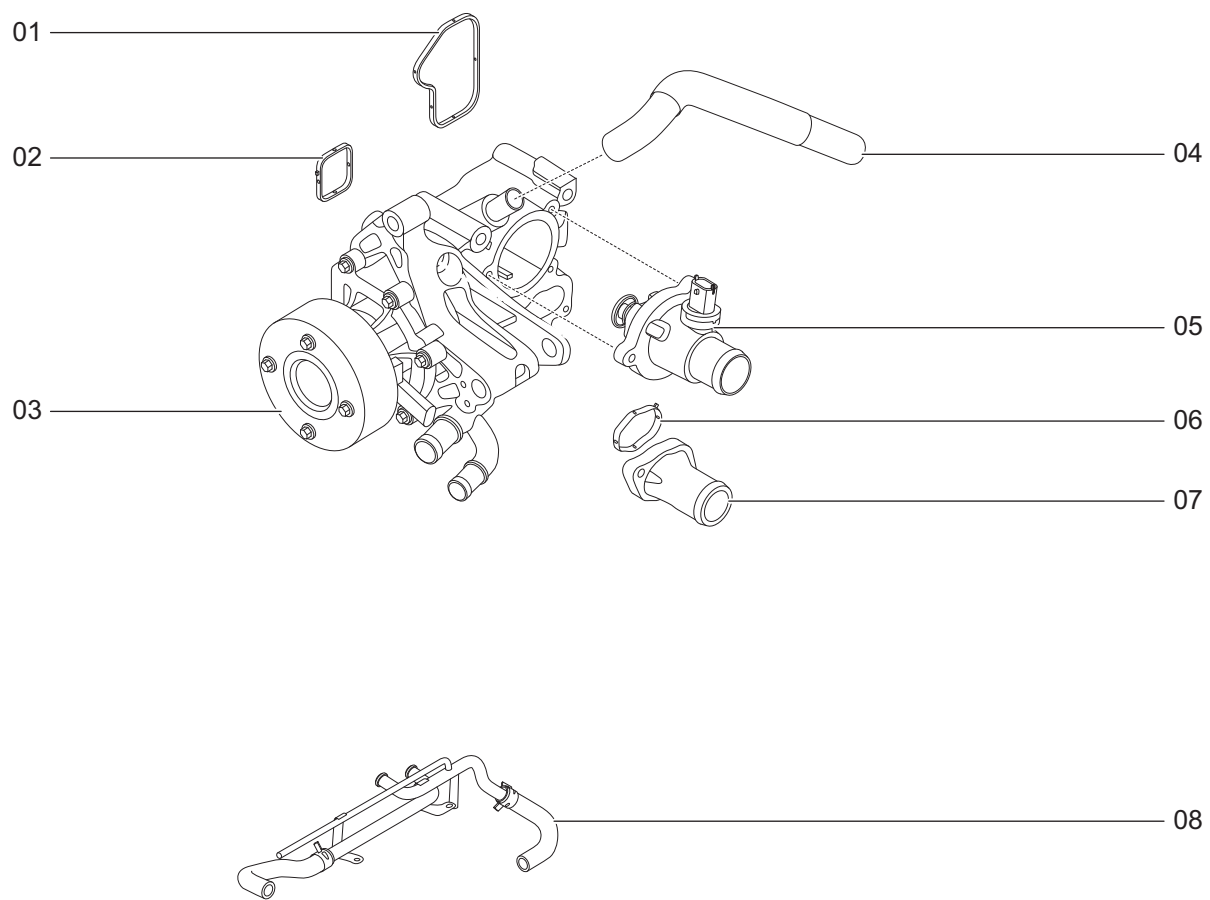


No.	Part No.	Station No.	Station Name	
08	F4J16-1118091AC	T1EAAY11180912751	Remove and reinstall Relief valve	
		Ex: T1EAAY10130102751	Remove and reinstall Oil cooler assy	
		Ex: T1EKKK47041152201	Drain and fill antifreeze coolant	
09	D4G15B-3611011	T1EAAY36110112701	Remove and reinstall Camshaft position sensor	
10	F4J16-3810010	T1EAAY38100102701	Remove and reinstall Oil pressure switch	
11	B11-3614022	T1EAAY36140222751	Remove and reinstall Turbocharger pressure sensor	
		Ex: T1EKKK20006472751	Remove and reinstall FR wheel house protector assy RH	
		Ex: T1EKKK90005002701	Remove and reinstall FR wheel arch trim assy RH	
12	F4J16-3765010	T1EAAY37650102701	Remove and reinstall Throttle valve body assy	
13	F4J16-3701010CA	T1EAAY37010102751	Remove and reinstall Generator assy	
		Ex: T1EAAY10250112701	Remove and reinstall Ribbed belt	



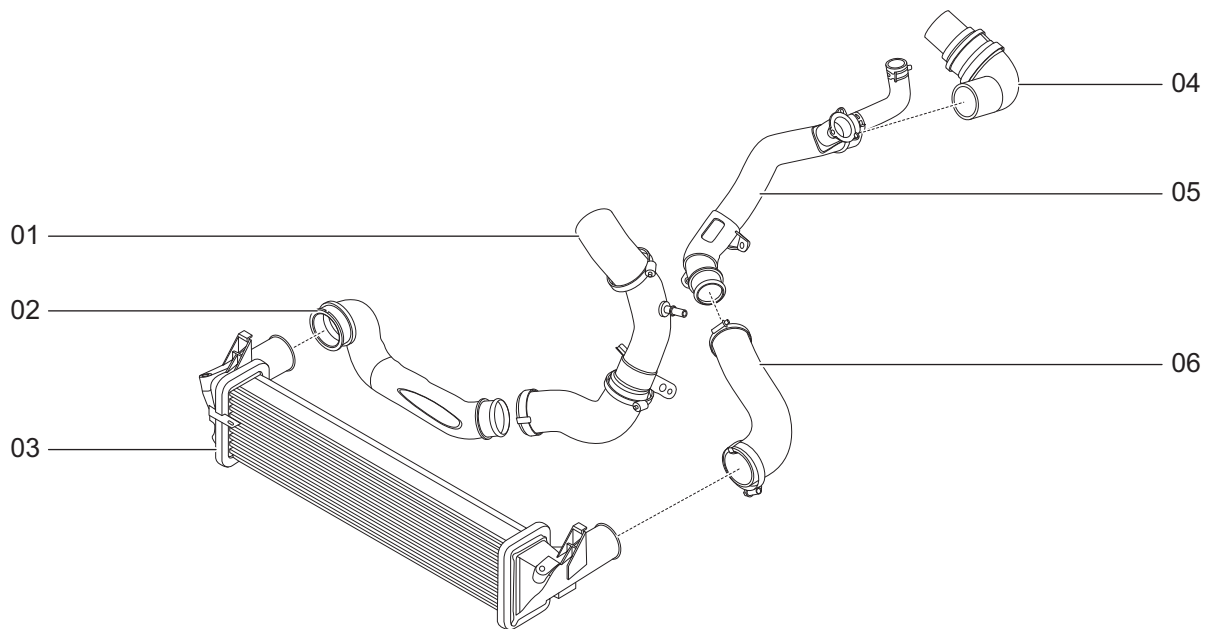
T1E030030

No.	Part No.	Station No.	Station Name	
01	E4T15B-1303011	T1EAAW13030112751 Ex: T1EKKK47041152101	Remove and reinstall Exhaust steel pipe Fill antifreeze coolant	
02	E4G16-1303711CA	T1EAAW13037112751 Ex: T1EKKK47041152101	Remove and reinstall Small circulation water hose Fill antifreeze coolant	
03	E4T15-1306110	T1EAAW13061102751 Ex: T1EKKK47041152101	Remove and reinstall Electronic thermostat assy Fill antifreeze coolant	
04	E4T15B-1118053	T1EAAW11180532751 Ex: T1EKKK47041152101	Remove and reinstall Water inlet steel pipe Fill antifreeze coolant	
05	J60-1119641	T1EAAW11196412751 Ex: T1EKKK47041152101	Remove and reinstall Water hose - expansion tank to water pump Fill antifreeze coolant	
06	E4T15B-1303310	T1EAAW13033102751 Ex: T1EKKK47041152201	Remove and reinstall Cooling water hose assy I Drain and fill antifreeze coolant	
07	E4T15B-1303010	T1EAAW13030102751 Ex: T1EKKK47041152101	Remove and reinstall Heater water hose assy Fill antifreeze coolant	
08	E4T15B-1118058	T1EAAW11180582751 Ex: T1EKKK47041152101	Remove and reinstall Water outlet hose - electronic water pump Fill antifreeze coolant	
09	E4T15B-1118059	T1EAAW11180592751 Ex: T1EKKK47041152101	Remove and reinstall Water inlet pipe set Fill antifreeze coolant	
10	E4T15B-1118050	T1EAAW11180502751 Ex: T1EKKK47041152101	Remove and reinstall Electronic water pump Fill antifreeze coolant	
11	D4G15B-3611043	T1EAAW36110432751 Ex: T1EKKK10140322701	Remove and reinstall Coolant temperature sensor Remove and reinstall Air intake hose	
12	E4T15C-1306030	T1EAAW13060302751 Ex: T1EKKK47041152201	Remove and reinstall Thermostat seat assy Drain and fill antifreeze coolant	
13	E3T10-3611043	T1EAAW36110432701	Remove and reinstall Coolant temperature sensor	
14	E4G16-1307010	T1EAAW13070102751 Ex: T1EKKK47041152201	Remove and reinstall Water pump with seal ring assy Drain and fill antifreeze coolant	
15	E4T15B-1118054	T1EAAW11180542751 Ex: T1EKKK47041152101	Remove and reinstall Water inlet hose - intercooler Fill antifreeze coolant	
16	E4T15B-1118052	T1EAAW11180522751 Ex: T1EKKK47041152101	Remove and reinstall Water inlet hose - turbocharger Fill antifreeze coolant	
17	E4T15C-1118063	T1EAAW11180632751 Ex: T1EKKK47041152101	Remove and reinstall Water outlet pipe set Fill antifreeze coolant	



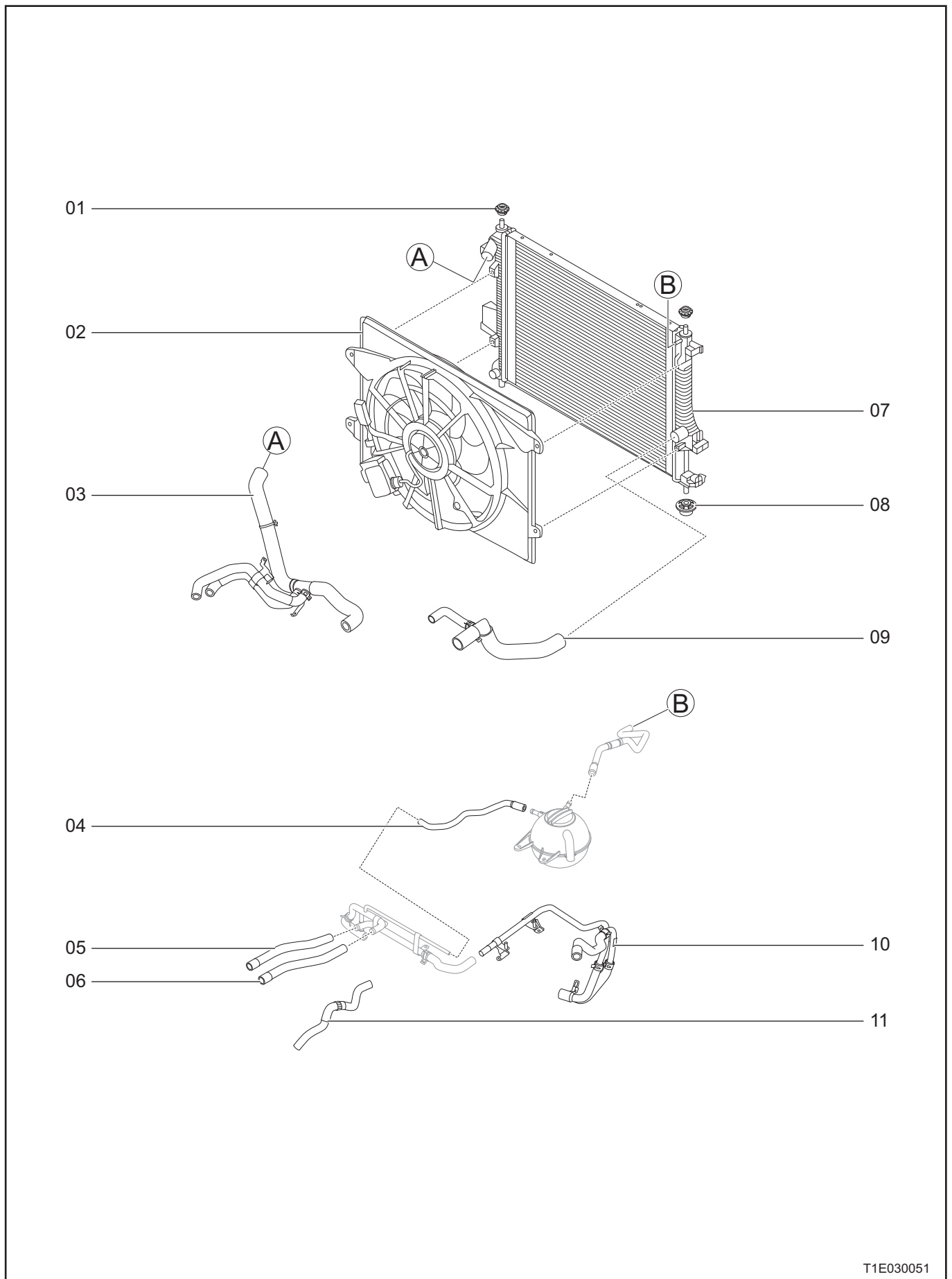
T1E030040

No.	Part No.	Station No.	Station Name	
01	F4J16-1307114	T1EAAY13071142751	Remove and reinstall Sealing ring 2	
		Ex: T1EAAY13071002751	Remove and reinstall Switch water pump and module assy	
		Ex: T1EKKK47041152201	Drain and fill antifreeze coolant	
02	F4J16-1307113	T1EAAY13071132751	Remove and reinstall Sealing ring 1	
		Ex: T1EAAY13071002751	Remove and reinstall Switch water pump and module assy	
		Ex: T1EKKK47041152201	Drain and fill antifreeze coolant	
03	F4J16-1307100BA	T1EAAY13071002751	Remove and reinstall Switch water pump and module assy	
		Ex: T1EKKK47041152201	Drain and fill antifreeze coolant	
04	F4J16-1303051	T1EAAY13030512751	Remove and reinstall Oil filter module water inlet hose	
		Ex: T1EKKK47041152201	Drain and fill antifreeze coolant	
05	F4J16-1306110	T1EAAY13061102751	Remove and reinstall Electronic thermostat assy	
		Ex: T1EKKK47041152201	Drain and fill antifreeze coolant	
06	F3J12-1306112	T1EAAY13061122751	Remove and reinstall Seal ring - engine water outlet cap	
		Ex: T1EAAY13061112751	Remove and reinstall Engine water outlet cap	
		Ex: T1EKKK47041152201	Drain and fill antifreeze coolant	
07	F4J16-1306111BA	T1EAAY13061112751	Remove and reinstall Engine water outlet cap	
		Ex: T1EKKK47041152201	Drain and fill antifreeze coolant	
08	302000240AA	T1EAAY20002402751	Remove and reinstall Cooling water hose assy	
		Ex: T1EKKK47041152201	Drain and fill antifreeze coolant	



T1E030050

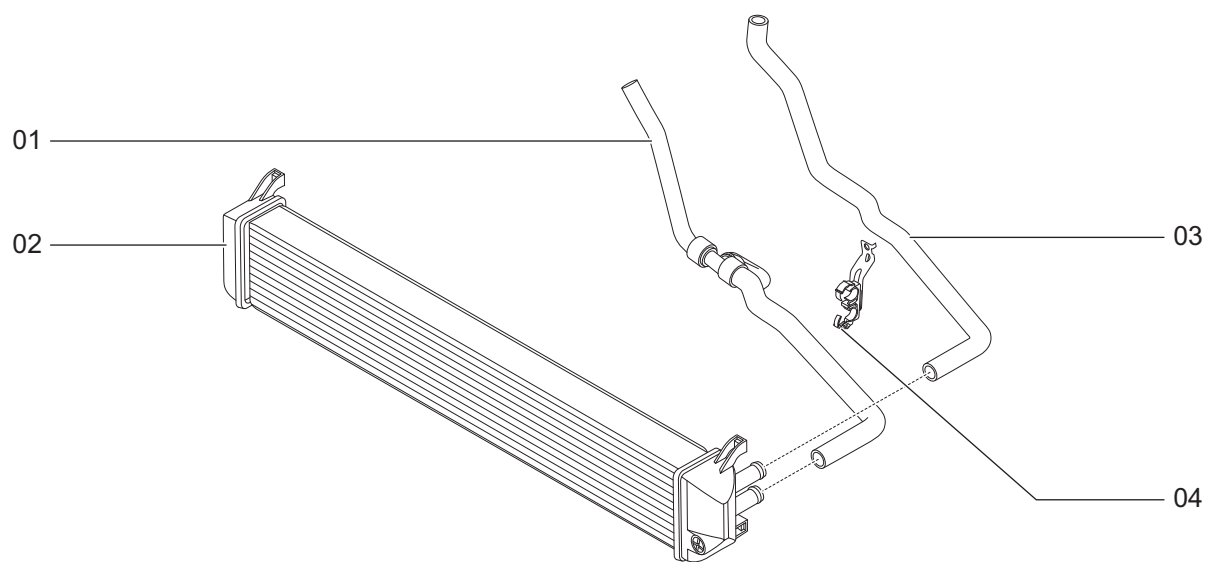
No.	Part No.	Station No.	Station Name	
01	302000131AA	T1EKKK20001312751	Remove and reinstall Intercooler outlet pipe assy II	
		Ex: T1EKKK20007462701	Remove and reinstall Engine LWR protector	
02	302000130AA	T1EKKK20001302751	Remove and reinstall Intercooler outlet pipe assy I	
		Ex: T1EKKK20007462701	Remove and reinstall Engine LWR protector	
03	302000140AA	T1EKKK20001402751	Remove and reinstall Intercooler assy	
		Ex: T1EKKK20005862701	Remove and reinstall FR bumper body assy	
04	302000127AA	T1EKKK20001272701	Remove and reinstall Intercooler inlet pipe assy I	
05	302000128AA	T1EKKK20001282701	Remove and reinstall Intercooler inlet pipe assy II	
06	302000129AA	T1EKKK20001292751	Remove and reinstall Intercooler inlet pipe assy III	
		Ex: T1EKKK20007462701	Remove and reinstall Engine LWR protector	



T1E030051

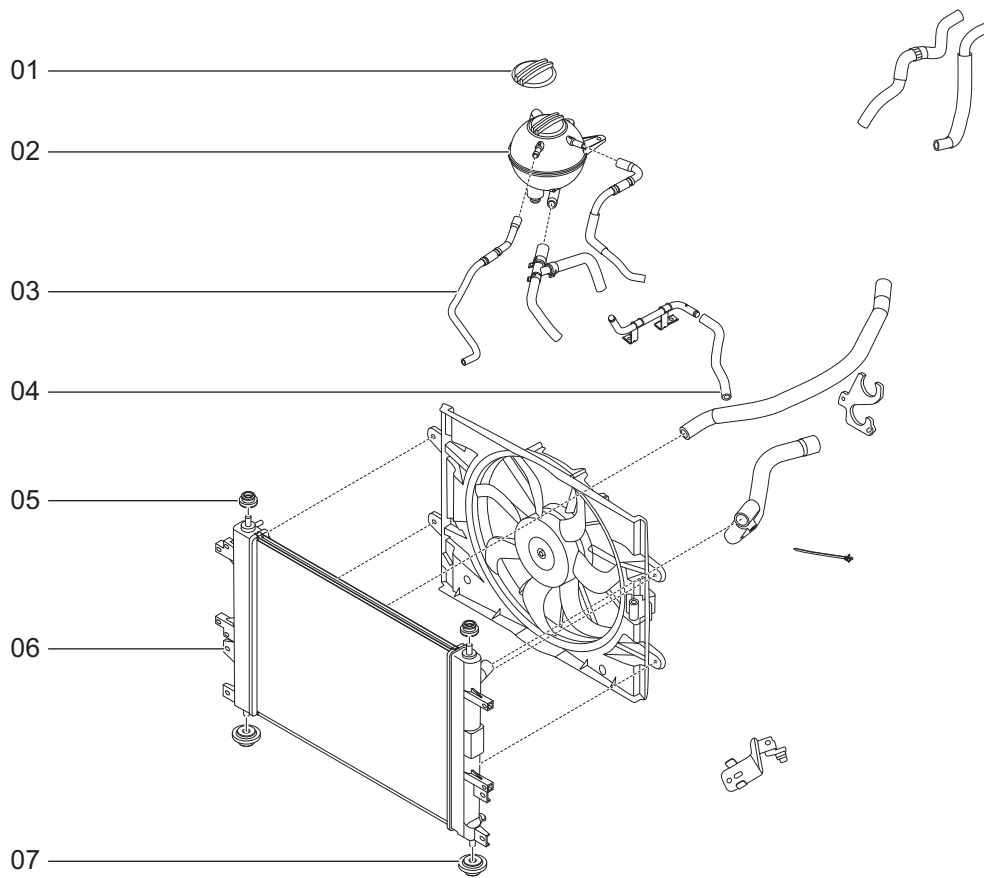


No.	Part No.	Station No.	Station Name
01	302000028AA	T1EKKK20000282751	Remove and reinstall Rubber boot
		Ex: T1EKKK90011302751	Remove and reinstall Radiator UPR crossbeam assy
		Ex: T1EKKK20005862701	Remove and reinstall FR bumper body assy
02	302000022AA	T1EKKK20000222701	Remove and reinstall Cooling fan assy
03	302000236AA	T1EKKK20002362751	Remove and reinstall Engine water inlet pipe
		Ex: T1EKKK47041152201	Drain and fill antifreeze coolant
04	302000446AA	T1EKKK20004462751	Remove and reinstall Engine to expansion tank water hose
		Ex: T1EKKK47041152201	Drain and fill antifreeze coolant
05	302000238AA	T1EKKK20002382751	Remove and reinstall Heater water outlet pipe
		Ex: T1EKKK47041152201	Drain and fill antifreeze coolant
06	302000237AA	T1EKKK20002372751	Remove and reinstall Heater water inlet pipe
		Ex: T1EKKK47041152201	Drain and fill antifreeze coolant
07	302000021AA	T1EKKK20000212751	Remove and reinstall Radiator assy
		Ex: T1EKKK47041152101	Fill antifreeze coolant
		Ex: T1EKKK90011302751	Remove and reinstall Radiator UPR crossbeam assy
		Ex: T1EKKK20005862701	Remove and reinstall FR bumper body assy
08	302000027AA	T1EKKK20000272751	Remove and reinstall Rubber cushion
		Ex: T1EKKK20000212751	Remove and reinstall Radiator assy
		Ex: T1EKKK47041152101	Fill antifreeze coolant
		Ex: T1EKKK90011302751	Remove and reinstall Radiator UPR crossbeam assy
09	302000235AA	T1EKKK20002352751	Remove and reinstall Engine water outlet pipe
		Ex: T1EKKK47041152201	Drain and fill antifreeze coolant
10	302000239AA	T1EKKK20002392751	Remove and reinstall Expansion tank water inlet pipe assy
		Ex: T1EKKK47041152201	Drain and fill antifreeze coolant
11	302000973AA	T1EKKK20009732751	Remove and reinstall Heater water outlet pipe
		Ex: T1EKKK47041152101	Fill antifreeze coolant



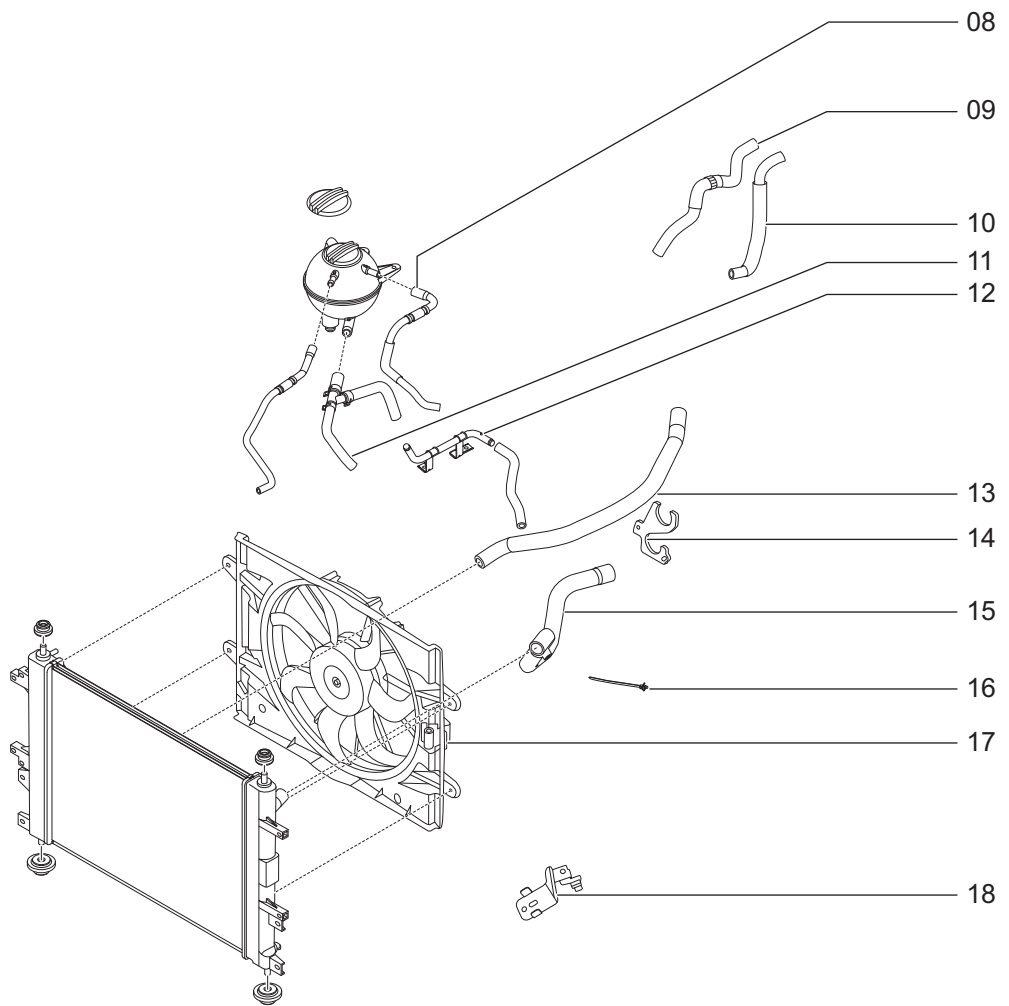
T1E030060

No.	Part No.	Station No.	Station Name	
01	302000430AA	T1EKKK20004302751	Remove and reinstall Low temperature radiator water outlet pipe	
		Ex: T1EKKK47041152101	Fill antifreeze coolant	
02	J60-1119610	T1EKKK11196102751	Remove and reinstall Low temperature radiator assy	
		Ex: T1EKKK47041152201	Drain and fill antifreeze coolant	
		Ex: T1EKKK20005862701	Remove and reinstall FR bumper body assy	
03	302000429AA	T1EKKK20004292751	Remove and reinstall Low temperature radiator water inlet pipe	
		Ex: T1EKKK47041152101	Fill antifreeze coolant	
04	302000332AA	T1EKKK20003322701	Remove and reinstall Intercooler bracket	



T1E030070

No.	Part No.	Station No.	Station Name
01	T21-1311120	T1EKKK13111202701	Remove and reinstall Expansion tank cap
02	T21-1311110	T1EKKK13111102751 Ex: T1EKKK47041152101	Remove and reinstall Expansion tank assy Fill antifreeze coolant
03	T15-1303601BA	T1EKKK13036012751 Ex: T1EKKK47041152101	Remove and reinstall Water hose - radiator to expansion tank Fill antifreeze coolant
04	T15-1303805	T1EKKK13038052751 Ex: T1EKKK47041152101	Remove and reinstall Water hose - expansion tank to water pump III Fill antifreeze coolant
05	J68-1301313	T1EKKK13013132751 Ex: T1EKKK90011302751 Ex: T1EKKK20005862701	Remove and reinstall Rubber boot Remove and reinstall Radiator UPR crossbeam assy Remove and reinstall FR bumper body assy
06	302000503AA	T1EKKK20005032751 Ex: T1EKKK47041152201 Ex: T1EKKK90011302751 Ex: T1EKKK20005862701	Remove and reinstall Radiator assy Drain and fill antifreeze coolant Remove and reinstall Radiator UPR crossbeam assy Remove and reinstall FR bumper body assy
07	J68-1301217	T1EKKK13012172751 Ex: T1EKKK20005032751 Ex: T1EKKK47041152201 Ex: T1EKKK90011302751 Ex: T1EKKK20005862701	Remove and reinstall Rubber cushion - radiator to LWR crossbeam Remove and reinstall Radiator assy Drain and fill antifreeze coolant Remove and reinstall Radiator UPR crossbeam assy Remove and reinstall FR bumper body assy



T1E030071

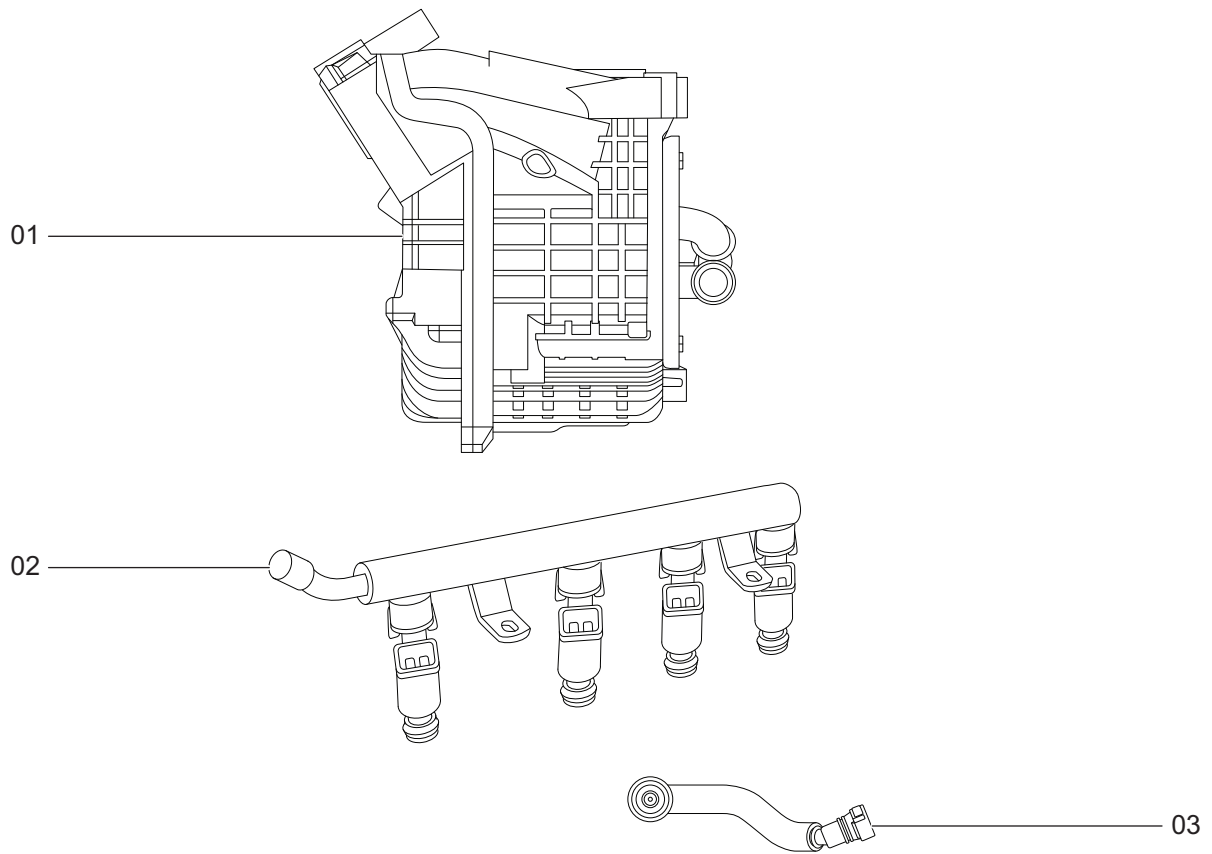
No.	Part No.	Station No.	Station Name	
08	T15-1303701CA	T1EKKK13037012751	Remove and reinstall Water hose - engine to expansion tank	
		Ex: T1EKKK47041152101	Fill antifreeze coolant	
09	T15-1303419EA	T1EKKK13034192751	Remove and reinstall Heater water outlet pipe	
		Ex: T1EKKK47041152101	Fill antifreeze coolant	
10	T15-1303417CA	T1EKKK13034172751	Remove and reinstall Heater water inlet pipe	
		Ex: T1EKKK47041152101	Fill antifreeze coolant	
11	T15-1303801CA	T1EKKK13038012751	Remove and reinstall Water hose - expansion tank to water pump	
		Ex: T1EKKK47041152101	Fill antifreeze coolant	
12	T15-1303803	T1EKKK13038032751	Remove and reinstall Water hose - expansion tank to water pump II	
		Ex: T1EKKK47041152101	Fill antifreeze coolant	
13	302000428AA	T1EKKK20004282751	Remove and reinstall Engine water inlet pipe	
		Ex: T1EKKK47041152201	Drain and fill antifreeze coolant	
14	302000285AA	T1EKKK20002852701	Remove and reinstall Water pipe bracket	
15	302000427AA	T1EKKK20004272751	Remove and reinstall Engine water outlet pipe	
		Ex: T1EKKK47041152201	Drain and fill antifreeze coolant	
16	A11-3724117	T1EKKK37241172701	Remove and reinstall Wire harness band	
17	302000698AA	T1EKKK20006982701	Remove and reinstall Cooling fan assy	
18	E4T15C-3611067	T1EKKK36110672711	Remove and reinstall Oxygen sensor bracket	





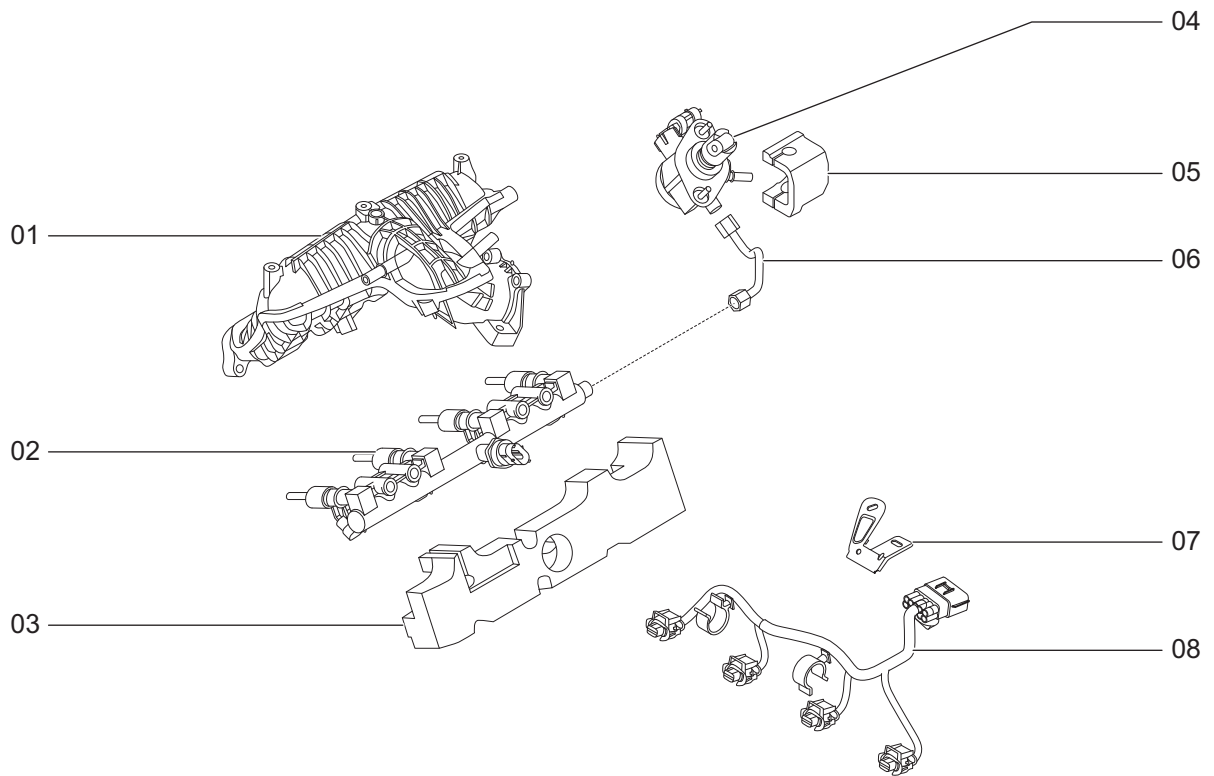
## **ENGINE INTAKE - EXHAUST - FUEL**

<b>Intake/exhaust system, fuel rail (E4T15C).....</b>	<b>04-2</b>
<b>Intake/exhaust system, fuel rail (F4J16).....</b>	<b>04-4</b>
<b>Turbocharger (E4T15C).....</b>	<b>04-6</b>
<b>Turbocharger (F4J16).....</b>	<b>04-8</b>
<b>Air filter system (E4T15C).....</b>	<b>04-10</b>
<b>Air filter system (F4J16).....</b>	<b>04-12</b>
<b>Exhaust hot end .....</b>	<b>04-14</b>
<b>Exhaust cold end.....</b>	<b>04-16</b>
<b>Fuel box and canister .....</b>	<b>04-18</b>
<b>Fuel pipe and hardware .....</b>	<b>04-20</b>
<b>Exhaust system .....</b>	<b>04-22</b>
<b>Fuel system.....</b>	<b>04-24</b>
<b>Engine management system (E4T15C) .....</b>	<b>04-26</b>
<b>Engine management system (F4J16) .....</b>	<b>04-28</b>



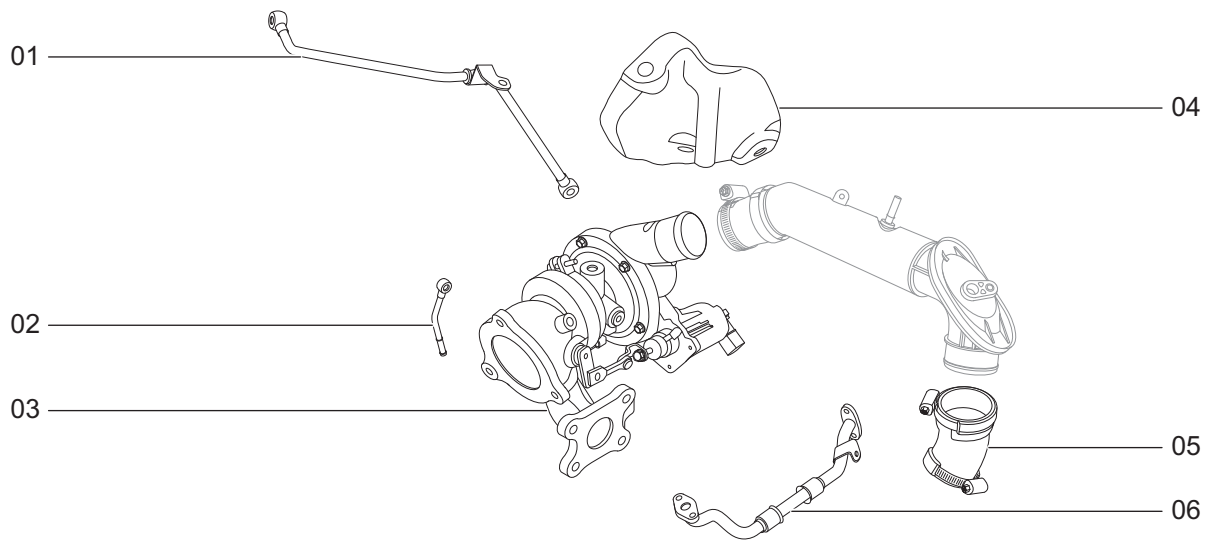
T1E040010

No.	Part No.	Station No.	Station Name	
01	E4T15C-1008010	T1EAAW10080102751	Remove and reinstall Intake manifold assy	
		Ex: T1EAAW37650102701	Remove and reinstall Throttle valve body assy	
02	E4T15C-1121010	T1EAAW11210102701	Remove and reinstall Fuel rail injector assembly	
03	E4T15C-1014031	T1EAAW10140312701	Remove and reinstall Hose-intake manifold	



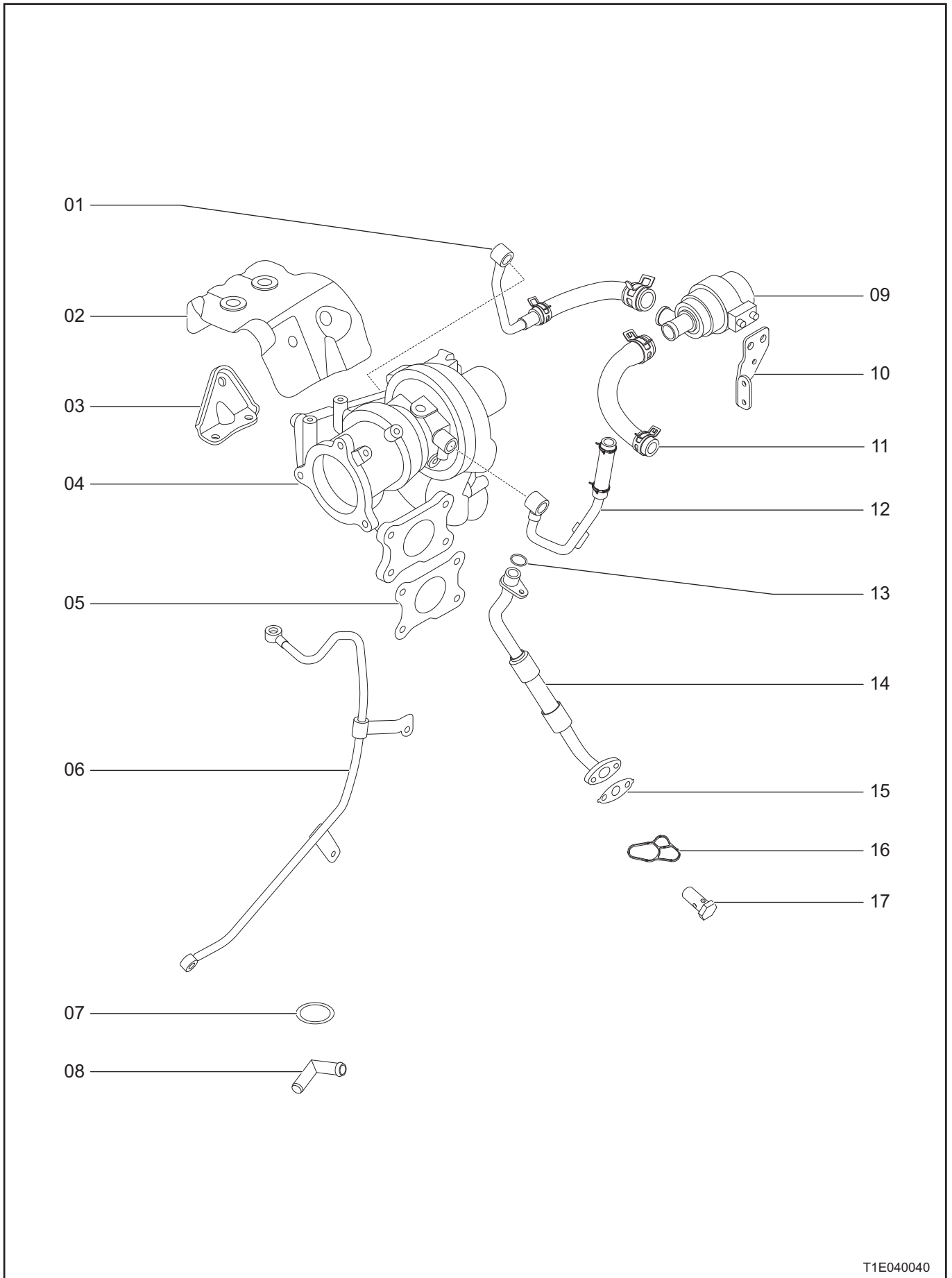
T1E040020

No.	Part No.	Station No.	Station Name	
01	F4J16-1008010	T1EAAY10080102751	Remove and reinstall Intake manifold assy	
		Ex: T1EAAY37650102701	Remove and reinstall Throttle valve body assy	
02	F4J16-1121010AB	T1EAAY11210102751	Remove and reinstall Fuel rail injector assembly	
		Ex: T1EAAY10080102751	Remove and reinstall Intake manifold assy	
		Ex: T1EAAY37650102701	Remove and reinstall Throttle valve body assy	
03	F4J16-1121031AC	T1EAAY11210312701	Remove and reinstall Fuel Rail Injector assy sound shield	
04	F4J16-1111011	T1EAAY11110112751	Remove and reinstall High pressure oil pump	
		Ex: T1EKKK10001332701	Remove and reinstall Intake hose assy	
05	F4J16-1111018	T1EAAY11110182751	Remove and reinstall High pressure oil pump sound shield	
		Ex: T1EKKK10001332701	Remove and reinstall Intake hose assy	
06	F4J16-1121031AB	T1EAAY11210312751	Remove and reinstall High-voltage oil pipe	
		Ex: T1EKKK10001332701	Remove and reinstall Intake hose assy	
07	806001295AA	T1EAAY60012952701	Remove and reinstall Injector nozzle wire harness bracket	
08	806001101AA	T1EAAY60011012701	Remove and reinstall Injector wire harness assy	



T1E040030

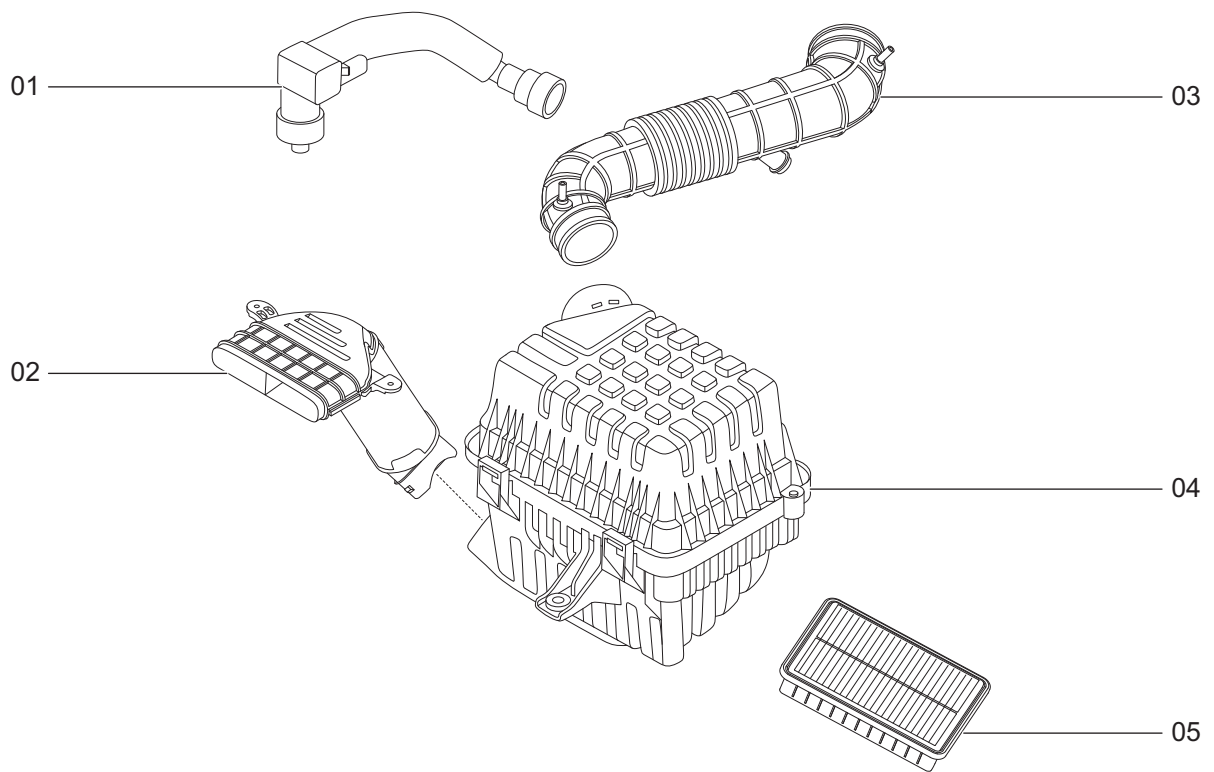
No.	Part No.	Station No.	Station Name	
01	E4T15B-1118020	T1EAAW11180202701	Remove and reinstall Oil inlet pipe - turbocharger	
02	E4T15B-1118040	T1EAAW11180402701	Remove and reinstall Water inlet steel pipe - turbocharger	
03	E4T15C-1118010	T1EAAW11180102751 Ex: T1EKKK30002972701	Remove and reinstall Turbocharger assy Remove and reinstall Catalytic converter assy	
04	E4T15B-1118013	T1EAAW11180132701	Remove and reinstall Heat insulator II - turbocharger	
05	E4T15B-1118092AB	T1EAAW11180922701	Remove and reinstall Hose - muffler	
06	E4T15B-1118030	T1EAAW11180302701	Remove and reinstall Oil return pipe - turbocharger	



T1E040040

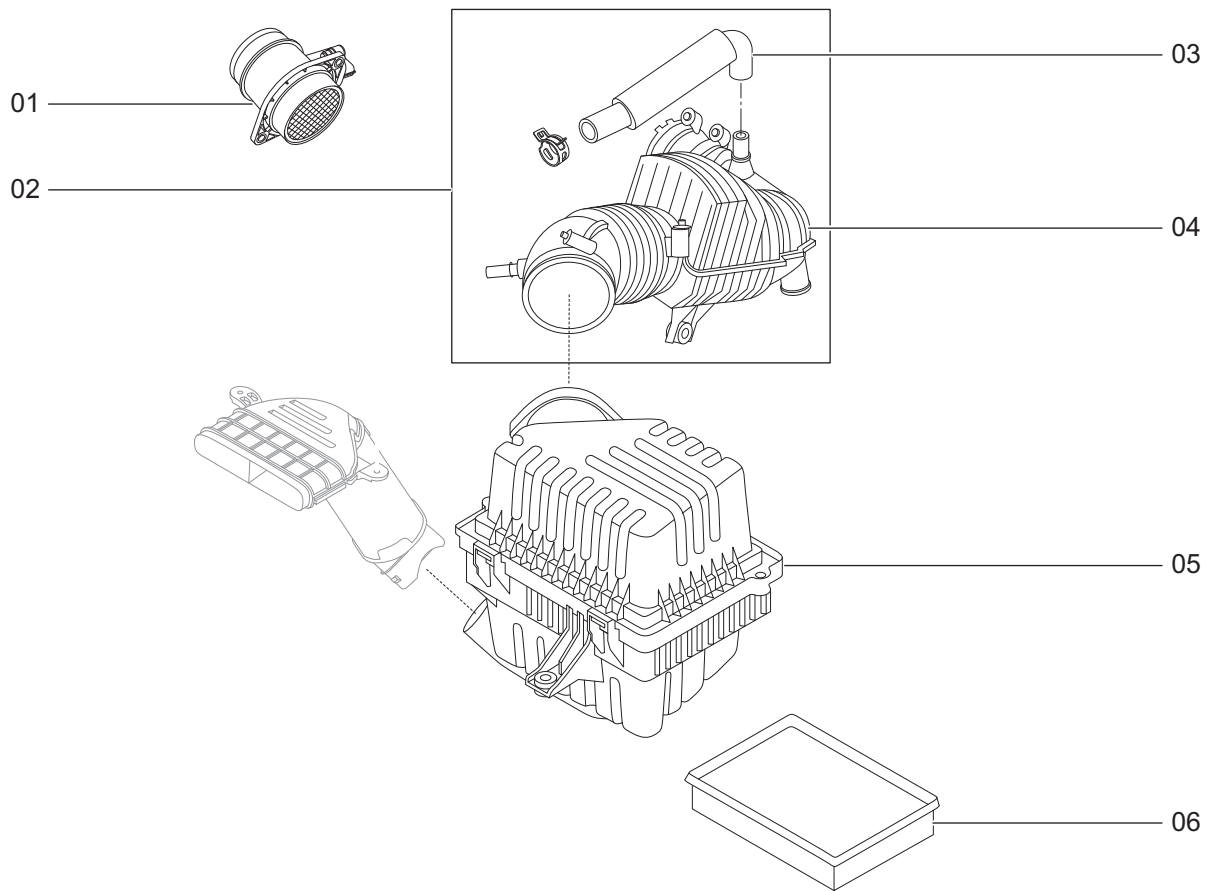


No.	Part No.	Station No.	Station Name	
01	F4J16-1118051AC	T1EAAY11180512701	Remove and reinstall Water inlet pipe assy - turbocharger	
02	F4J16-1118012AC	T1EAAY11180122701	Remove and reinstall Heat insulator I - turbocharger	
03	F4J16-1118014AC	T1EAAY11180142701	Remove and reinstall Turbocharger bracket	
04	F4J16-1118010	T1EAAY11180102751	Remove and reinstall Turbocharger	
		Ex: T1EKKK30001092701	Remove and reinstall Catalytic converter assy	
05	F4J16-1118011AC	T1EAAY11180112751	Remove and reinstall Gasket - turbocharger	
		Ex: T1EAAY11180102751	Remove and reinstall Turbocharger	
		Ex: T1EKKK30001092701	Remove and reinstall Catalytic converter assy	
06	F4J16-1118031AC	T1EAAY11180312701	Remove and reinstall Supplied tube - turbocharger	
07	E4G16-1005071	T1EAAY10050712751	Remove and reinstall Lining-crankshaft	
		Ex: T1EAAW10050702751	Remove and reinstall Torsional shock absorber assy	
		Ex: T1EAAW10250512701	Remove and reinstall Ribbed belt	
08	477F-1003035	T1EAAY10030352751	Remove and reinstall Right angle tube	
		Ex: T1EKKK47041152101	Fill antifreeze coolant	
09	F4J16-1118071AC	T1EAAY11180712751	Remove and reinstall Electronic water pump	
		Ex: T1EKKK47041152201	Drain and fill antifreeze coolant	
10	F4J16-1118072AC	T1EAAY11180722751	Remove and reinstall Electronic water pump bracket	
		Ex: T1EAAY11180712751	Remove and reinstall Electronic water pump	
		Ex: T1EKKK47041152201	Drain and fill antifreeze coolant	
11	F4J16-1118074AC	T1EAAY11180742751	Remove and reinstall Water inlet hose - electronic water pump	
		Ex: T1EKKK47041152201	Drain and fill antifreeze coolant	
12	F4J16-1118052AC	T1EAAY11180522701	Remove and reinstall Water outlet pipe assy - turbocharger	
13	F4J16-1118034AC	T1EAAY11180342751	Remove and reinstall Return tube sealing ring	
		Ex: T1EAAY11180322701	Remove and reinstall Return tube - turbocharger	
14	F4J16-1118032AC	T1EAAY11180322701	Remove and reinstall Return tube - turbocharger	
15	F4J16-1118033AC	T1EAAY11180332751	Remove and reinstall Return tube gasket	
		Ex: T1EAAY11180322701	Remove and reinstall Return tube - turbocharger	
16	E4G16-1012026	T1EAAY10120262701	Remove and reinstall Oil path seal ring	
17	F4J16-1118054AC	T1EAAY11180542701	Remove and reinstall Hollow bolt M14	



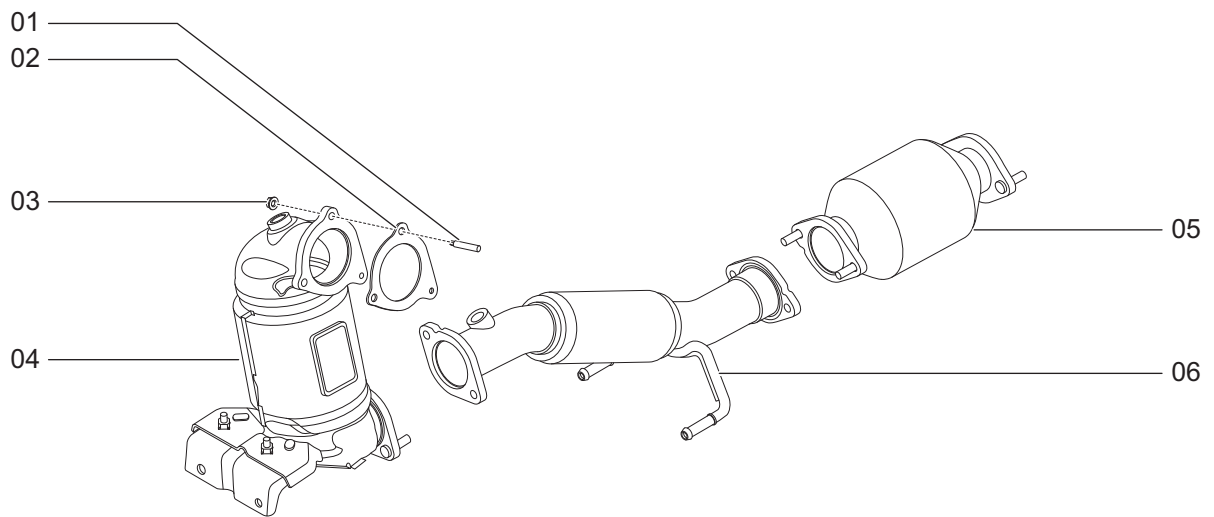
T1E040050

No.	Part No.	Station No.	Station Name	
01	E4T15C-1014032	T1EKKK10140322701	Remove and reinstall Air intake hose	
02	T15-1109510	T1EKKK11095102701	Remove and reinstall Air guide hose assy	
03	T15-1109210AD	T1EKKK11092102701	Remove and reinstall Intake hose assy	
04	T15-1109110AD	T1EKKK11091102701	Remove and reinstall Air filter assy	
	T15-1109110	T1EKKK11091102711	Remove and reinstall Air filter assy	
05	T15-1109111	T1EKKK11091112701	Remove and reinstall Air filter element	



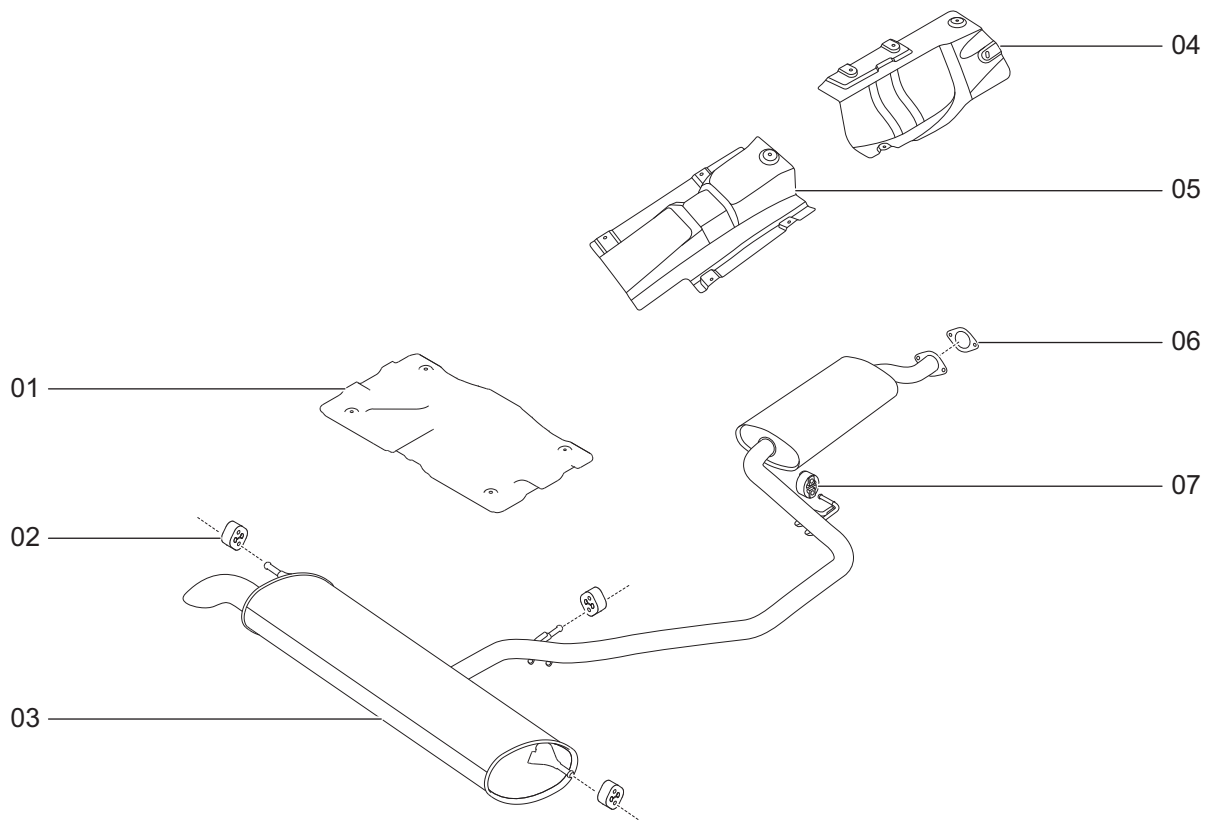
T1E040060

No.	Part No.	Station No.	Station Name	
01	F4J16-3611071	T1EKKK36110712701	Remove and reinstall AIR FLOW SENSOR	
02	151000133AA	T1EKKK10001332701	Remove and reinstall Intake hose assy	
03	F4J16-1014032	T1EKKK10140322711	Remove and reinstall Air intake hose	
04	151000048AA	T1EKKK10000482701	Remove and reinstall Intake hose assy	
05	151000047AA	T1EKKK10000472701	Remove and reinstall Air filter assy	
06	151000079AA	T1EKKK10000792701	Remove and reinstall Air filter element	



T1E040070

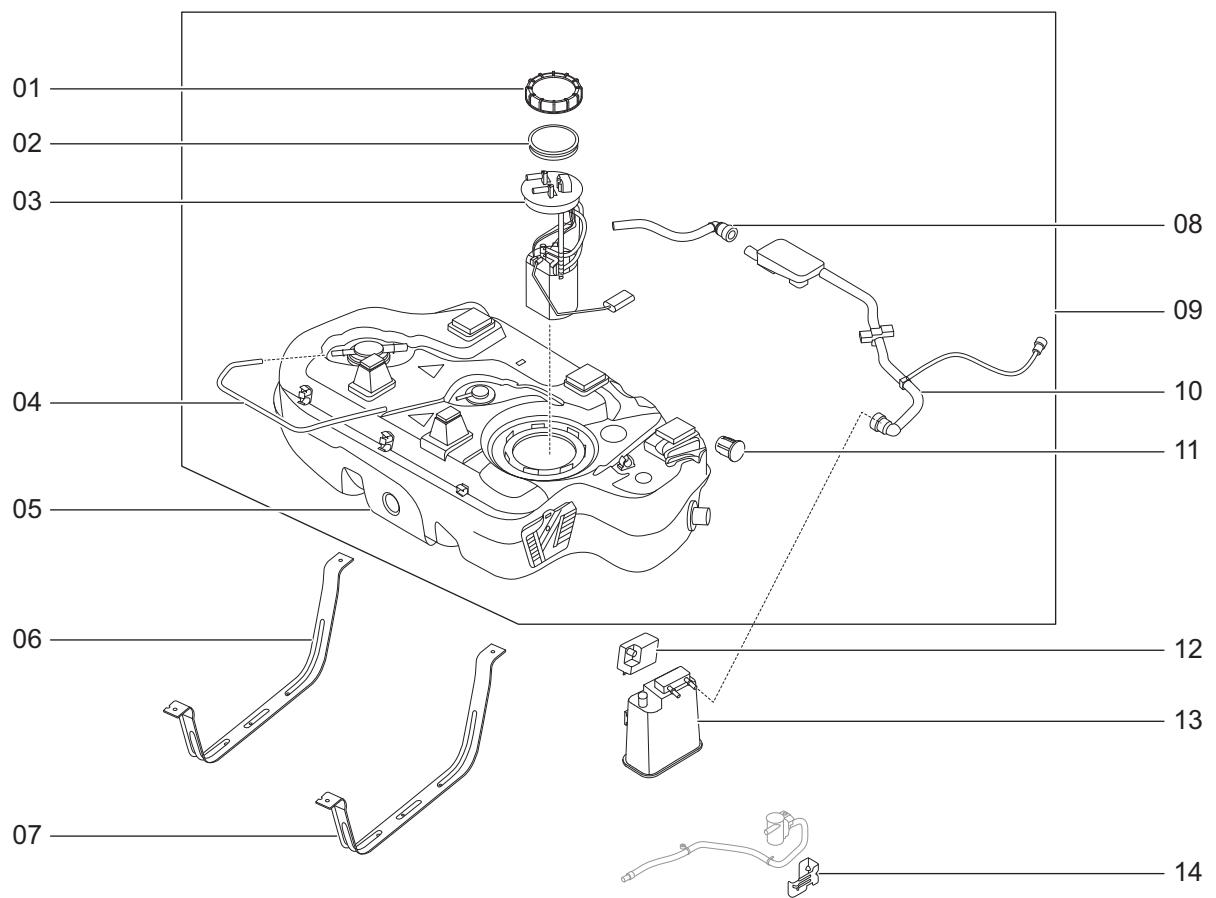
No.	Part No.	Station No.	Station Name	
01	E4T15-1118018	T1EKKK11180182751	Remove and reinstall Stud	
		Ex: T1EAAW11180102751	Remove and reinstall Turbocharger assy	
		Ex: T1EKKK30002972701	Remove and reinstall Catalytic converter assy	
02	M12-1201014	T1EKKK12010142751	Remove and reinstall Pre-catalytic converter FR sealing washer	
		Ex: T1EKKK30002972701	Remove and reinstall Catalytic converter assy	
03	E4T15-1118019	T1EKKK11180192701	Remove and reinstall Nut	
04	153000297AA	T1EKKK30002972701	Remove and reinstall Catalytic converter assy	
05	T15-1205030AH	T1EKKK12050302701	Remove and reinstall Master catalytic converter	
06	T15-1203010	T1EKKK12030102701	Remove and reinstall FR pipe assy	



T1E040080

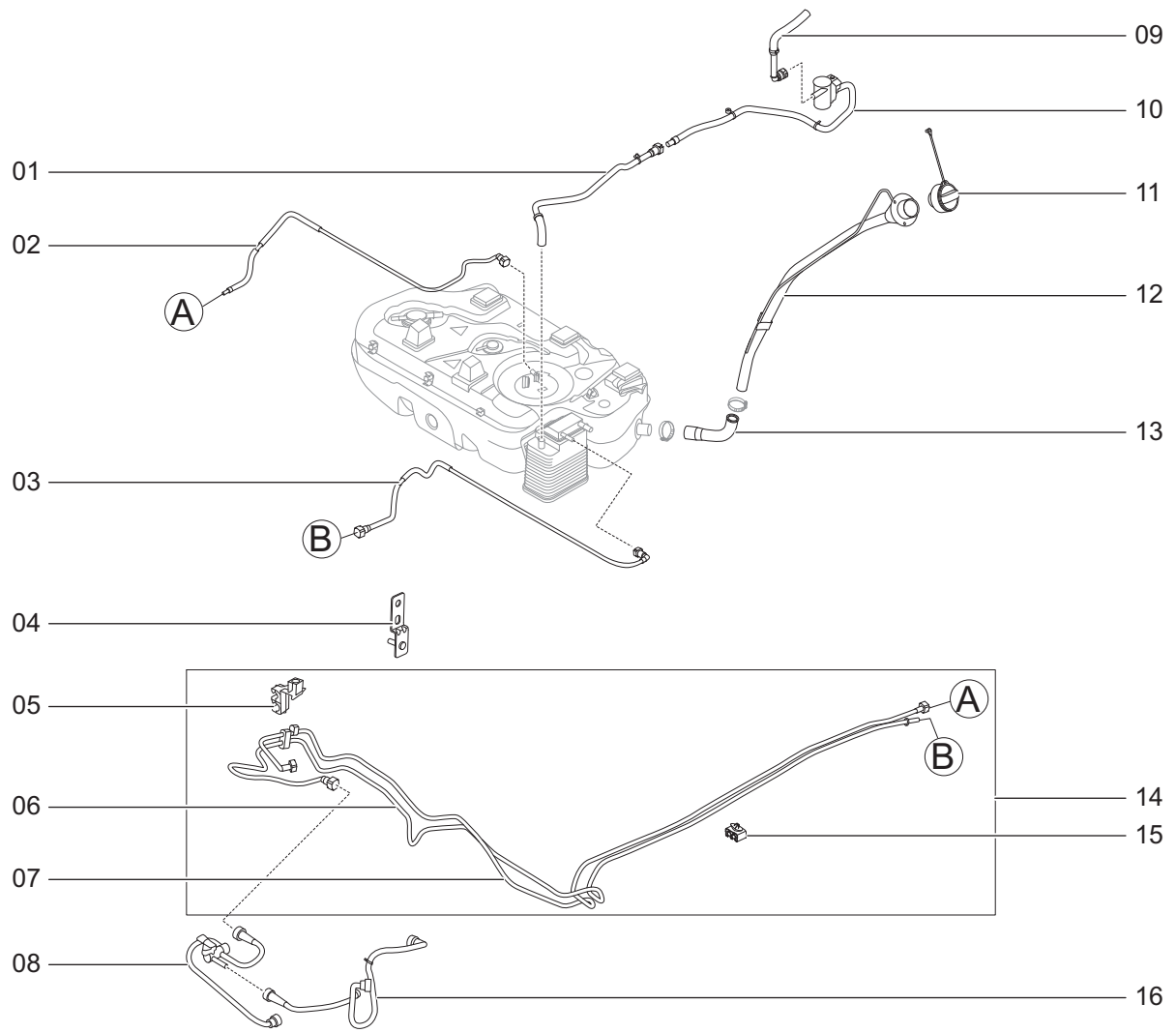


No.	Part No.	Station No.	Station Name	
01	T15-1204011	T1EKKK12040112701	Remove and reinstall Muffler heat insulator I	
02	M11-1200019	T1EKKK12000192701	Remove and reinstall Hanger II	
03	153000196AA	T1EKKK30001962701	Remove and reinstall RR muffler assy	
04	153000068AA	T1EKKK30000682701	Remove and reinstall Insulator II	
05	T15-1204013	T1EKKK12040132701	Remove and reinstall Muffler heat insulator III	
06	B21-1205313BA	T1EKKK12053132751	Remove and reinstall Pre-catalytic converter RR sealing gasket	
		Ex: T1EKKK12050302701	Remove and reinstall Master catalytic converter	
07	T21-1200012	T1EKKK12000122701	Remove and reinstall Block 2	



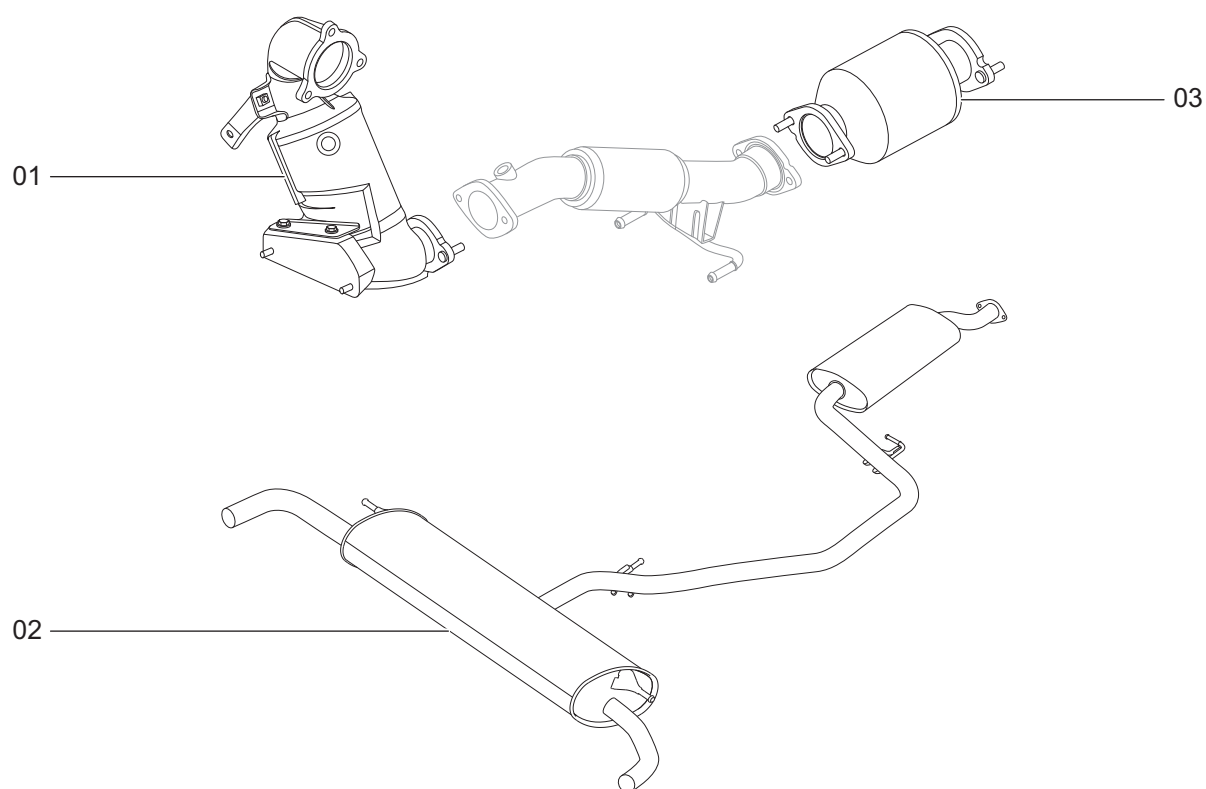
T1E040090

No.	Part No.	Station No.	Station Name	
01	J60-1101012	T1EKKK11010122751	Remove and reinstall Fuel tank pressure cap	
		Ex: T1EKKK20013222701	Remove and reinstall RR seat cushion assy	
02	J60-1101011	T1EKKK11010112751	Remove and reinstall Fuel tank seal ring	
		Ex: T1EKKK11060102751	Remove and reinstall Electric fuel pump assy	
		Ex: T1EKKK11010122751	Remove and reinstall Fuel tank pressure cap	
		Ex: T1EKKK20013222701	Remove and reinstall RR seat cushion assy	
03	T15-1106010BA	T1EKKK11060102751	Remove and reinstall Electric fuel pump assy	
		Ex: T1EKKK11010122751	Remove and reinstall Fuel tank pressure cap	
		Ex: T1EKKK20013222701	Remove and reinstall RR seat cushion assy	
04	T15-1104710BA	T1EKKK11047102751	Remove and reinstall Fuel vapor pipe I assy	
		Ex: T1EKKK11010012701	Remove and reinstall Fuel tank with oil pump assy	
05	T15-1101050BA	T1EKKK11010502701	Remove and reinstall Fuel tank assy	
06	155000515AA	T1EKKK50005152701	Remove and reinstall Fuel tank fixing strap II	
07	155000514AA	T1EKKK50005142701	Remove and reinstall Fuel tank fixing strap I	
08	T15-1104730BA	T1EKKK11047302751	Remove and reinstall Fuel vapor pipe II assy	
		Ex: T1EKKK11010012701	Remove and reinstall Fuel tank with oil pump assy	
09	T15-1101001BA	T1EKKK11010012701	Remove and reinstall Fuel tank with oil pump assy	
10	T15-1104750BA	T1EKKK11047502751	Remove and reinstall Fuel vapor pipe III assy	
		Ex: T1EKKK11010012701	Remove and reinstall Fuel tank with oil pump assy	
11	J42-1101016	T1EKKK11010162751	Remove and reinstall Fuel filler vent hose sleeve	
		Ex: T1EKKK20006112751	Remove and reinstall RR wheel house protector assy LH	
		Ex: T1EKKK90005012701	Remove and reinstall RR wheel arch trim assy LH	
12	T15-1208016	T1EKKK12080162751	Remove and reinstall Charcoal canister filter	
		Ex: T1EKKK20006112751	Remove and reinstall RR wheel house protector assy LH	
		Ex: T1EKKK90005012701	Remove and reinstall RR wheel arch trim assy LH	
13	T15-1208010BA	T1EKKK12080102701	Remove and reinstall Charcoal canister assy	
14	T15-1208131	T1EKKK12081312701	Remove and reinstall Activated charcoal canister shutoff valve bracket	



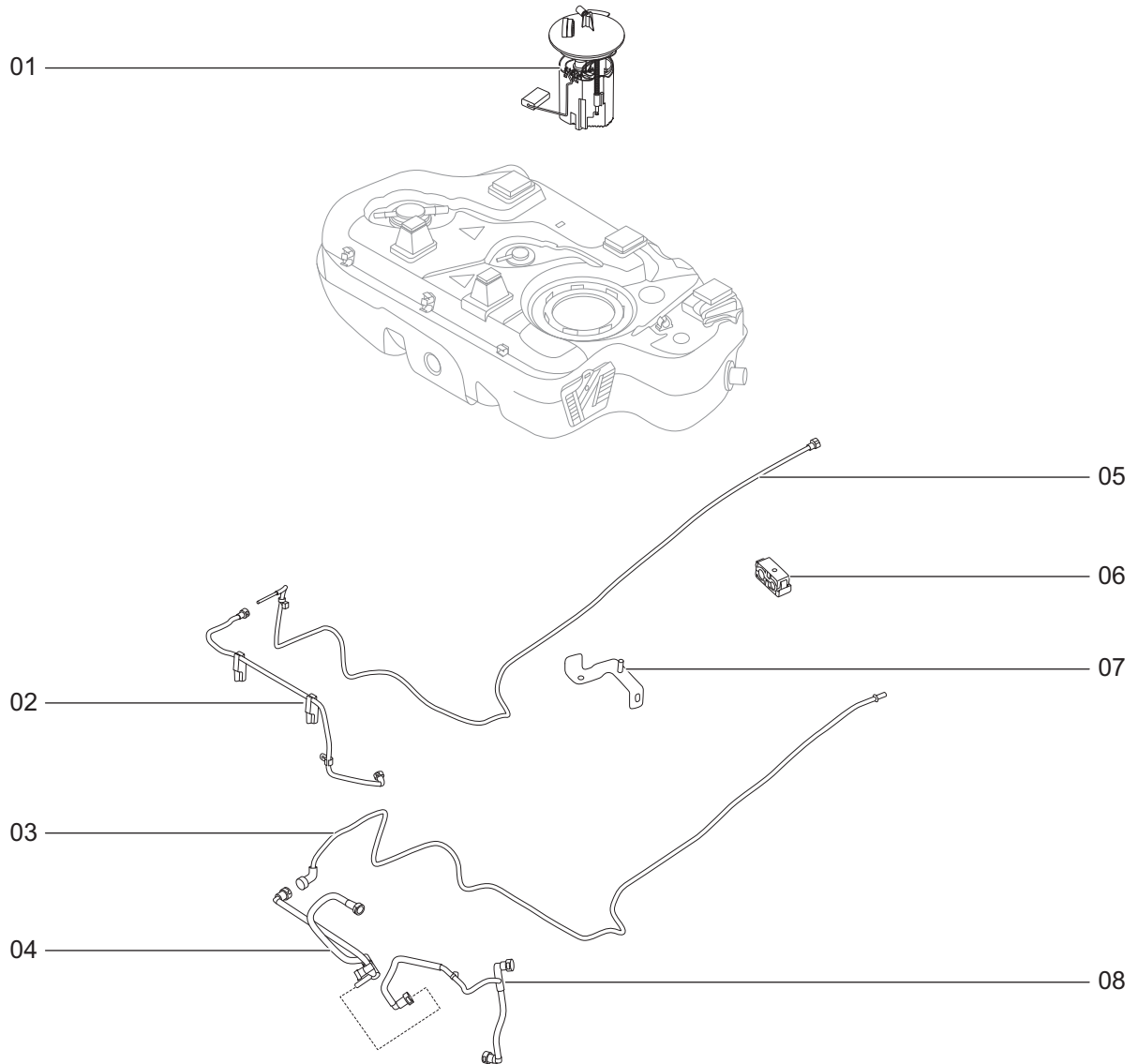
T1E040100

No.	Part No.	Station No.	Station Name
01	T15-1208041	T1EKKK12080412751	Remove and reinstall Charcoal canister vent hose assy
		Ex: T1EKKK11010012701	Remove and reinstall Fuel tank with oil pump assy
02	T15-1104110BA	T1EKKK11041102701	Remove and reinstall Fuel inlet pipe I assy
03	T15-1104770BA	T1EKKK11047702701	Remove and reinstall Fuel vapor pipe IV assy
04	J42-1100032CA	T1EKKK11000322701	Remove and reinstall Double groove pipe clamp bracket I
05	J60-1100215	T1EKKK11002152701	Remove and reinstall Clip
06	T15-1104790EA	T1EKKK11047902701	Remove and reinstall Fuel vapor pipe V assy
07	T15-1104130EA	T1EKKK11041302701	Remove and reinstall Fuel inlet pipe II assy
08	T15-1208031	T1EKKK12080312701	Remove and reinstall Charcoal canister solenoid valve air outlet hose assy
09	T15-1208043	T1EKKK12080432751	Remove and reinstall Charcoal canister vent hose III assy
		Ex: T1EKKK20006112751	Remove and reinstall RR wheel house protector assy LH
		Ex: T1EKKK90005012701	Remove and reinstall RR wheel arch trim assy LH
10	T15-1208042	T1EKKK12080422751	Remove and reinstall Charcoal canister vent hose II assy
		Ex: T1EKKK20006112751	Remove and reinstall RR wheel house protector assy LH
		Ex: T1EKKK90005012701	Remove and reinstall RR wheel arch trim assy LH
11	J60-1103010	T1EKKK11030102701	Remove and reinstall Fuel tank cap assy
12	T15-1101030BA	T1EKKK11010302751	Remove and reinstall Fuel filler pipe assy
		Ex: T1EKKK20006112751	Remove and reinstall RR wheel house protector assy LH
		Ex: T1EKKK90005012701	Remove and reinstall RR wheel arch trim assy LH
13	T15-1101014BA	T1EKKK11010142701	Remove and reinstall Fuel filler hose
14	T15-1104001EA	T1EKKK11040012701	Remove and reinstall Exhaust pipe assy
15	J60-1100212	T1EKKK11002122701	Remove and reinstall Clip
16	T15-1208032	T1EKKK12080322701	Remove and reinstall Charcoal canister solenoid valve air outlet hose II



T1E040110

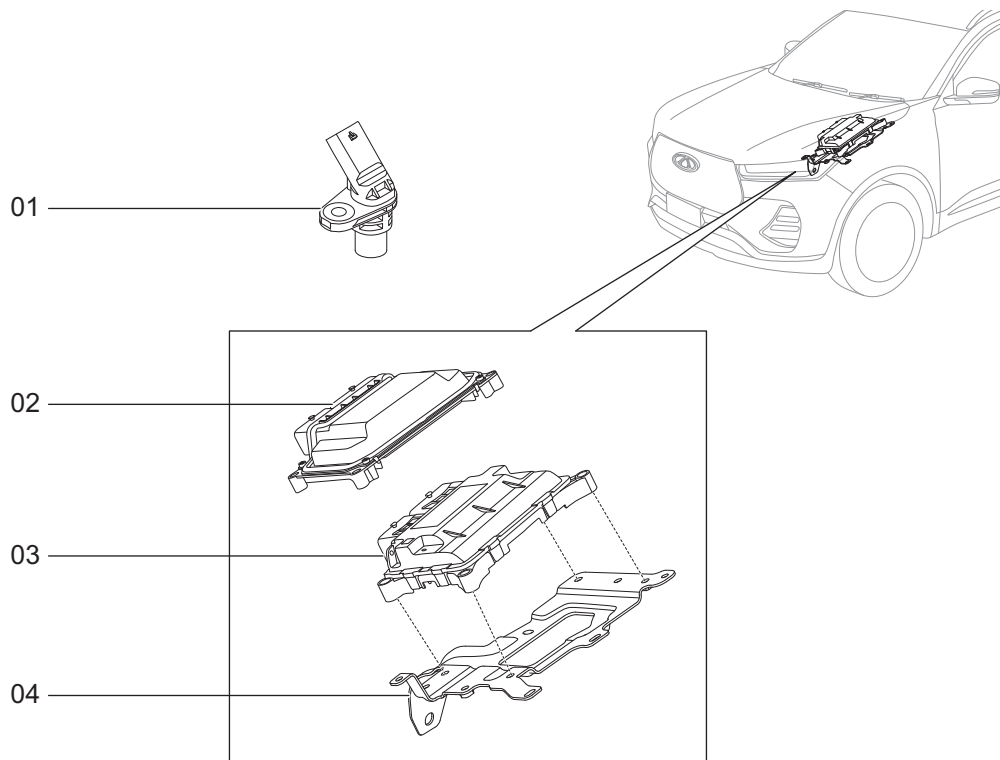
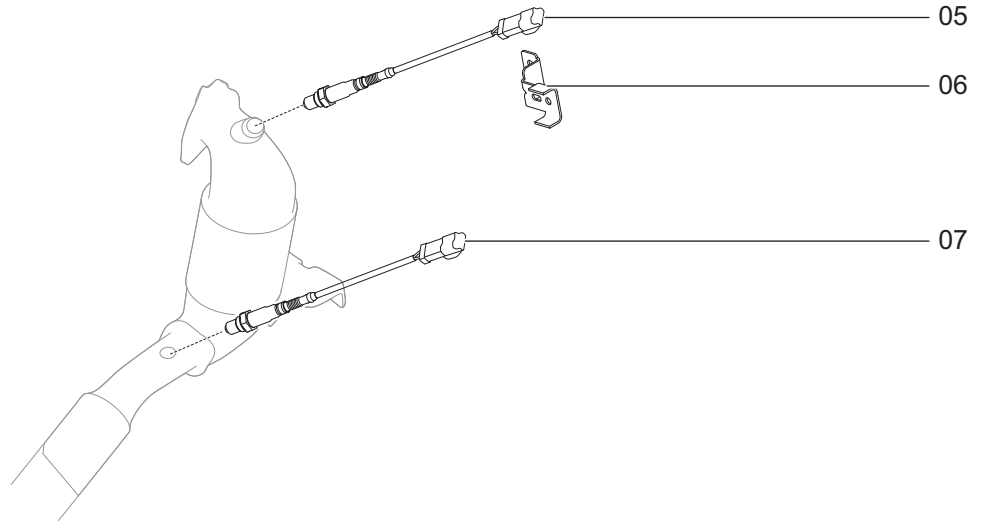
No.	Part No.	Station No.	Station Name	
01	153000109AA	T1EKKK30001092701	Remove and reinstall Catalytic converter assy	
02	153000239AA	T1EKKK30002392701	Remove and reinstall RR muffler assy	
03	153000136AA	T1EKKK30001362701	Remove and reinstall Master catalytic converter assy	



T1E040120

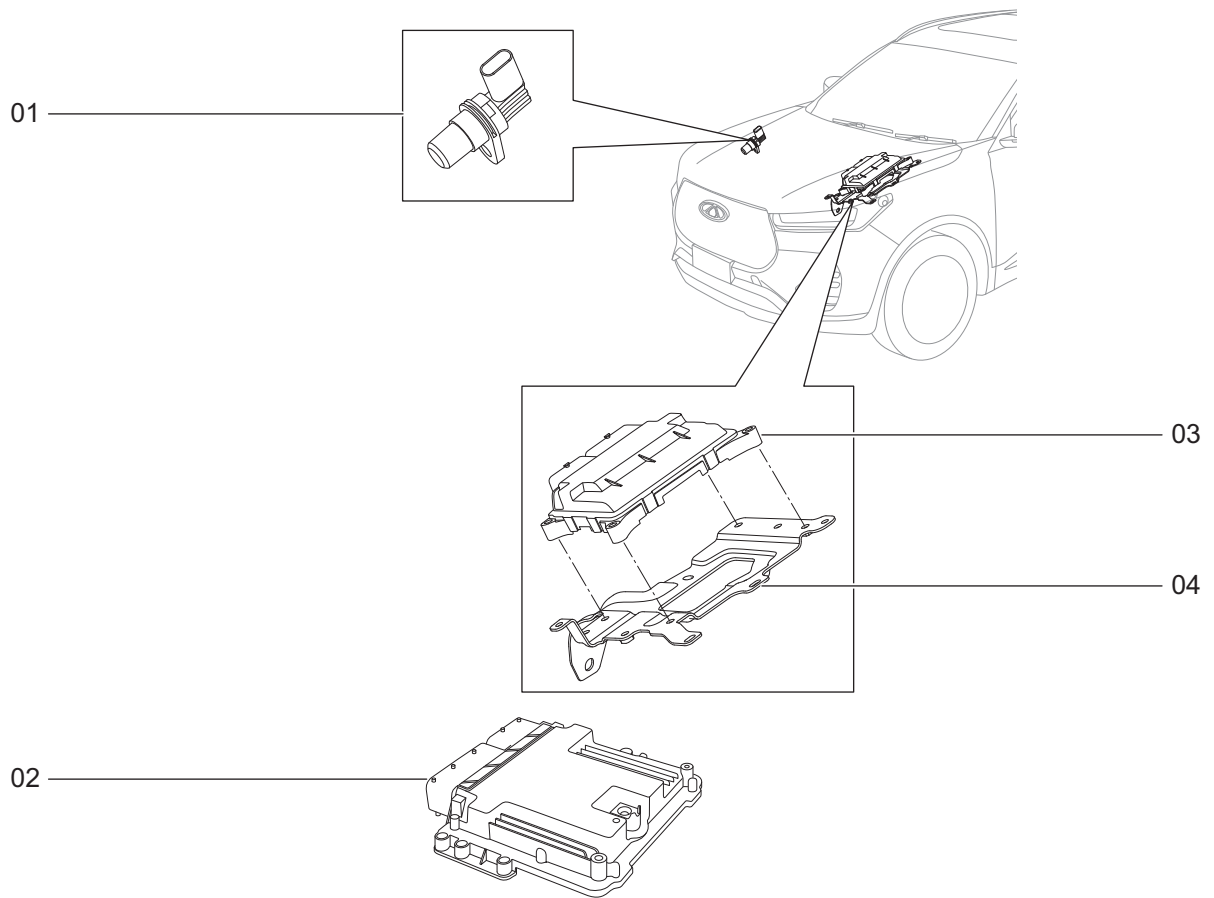


No.	Part No.	Station No.	Station Name	
01	155000378AA	T1EKKK50003782751	Remove and reinstall Electric fuel pump assy	
		Ex: T1EKKK11010122751	Remove and reinstall Fuel tank pressure cap	
		Ex: T1EKKK20013222701	Remove and reinstall RR seat cushion assy	
02	155000177AA	T1EKKK50001772701	Remove and reinstall Fuel inlet pipe III assy	
03	155000229AA	T1EKKK50002292701	Remove and reinstall Fuel vapor pipe V	
04	155000158AA	T1EKKK50001582701	Remove and reinstall Charcoal canister solenoid valve air outlet hose assy	
05	155000228AA	T1EKKK50002282701	Remove and reinstall Fuel inlet pipe II assy	
06	155000303AA	T1EKKK50003032701	Remove and reinstall Double groove isolation pipe clamp	
07	155000214AA	T1EKKK50002142701	Remove and reinstall Bracket between double groove pipe clamp and engine	
08	155000159AA	T1EKKK50001592701	Remove and reinstall Charcoal canister solenoid valve air outlet hose II assy	



T1E040130

No.	Part No.	Station No.	Station Name	
01	J60-3611021	T1EKKK36110212701	Remove and reinstall Engine speed sensor	
02	T15-3605012CA	T1EKKK36050122701	Remove and reinstall ECU hardware	
03	131000152AA	T1EKKK10001522701	Remove and reinstall ECU	
04	T15-3605015	T1EKKK36050152751	Remove and reinstall ECU bracket	
		Ex: T1EKKK10001522701	Remove and reinstall ECU	
05	B21-1205310	T1EKKK12053102701	Remove and reinstall Oxygen sensor (FR)	
06	B14-3611067BC	T1EKKK36110672701	Remove and reinstall Oxygen sensor bracket	
07	J60-3611061	T1EKKK36110612701	Remove and reinstall Oxygen sensor (RR)	



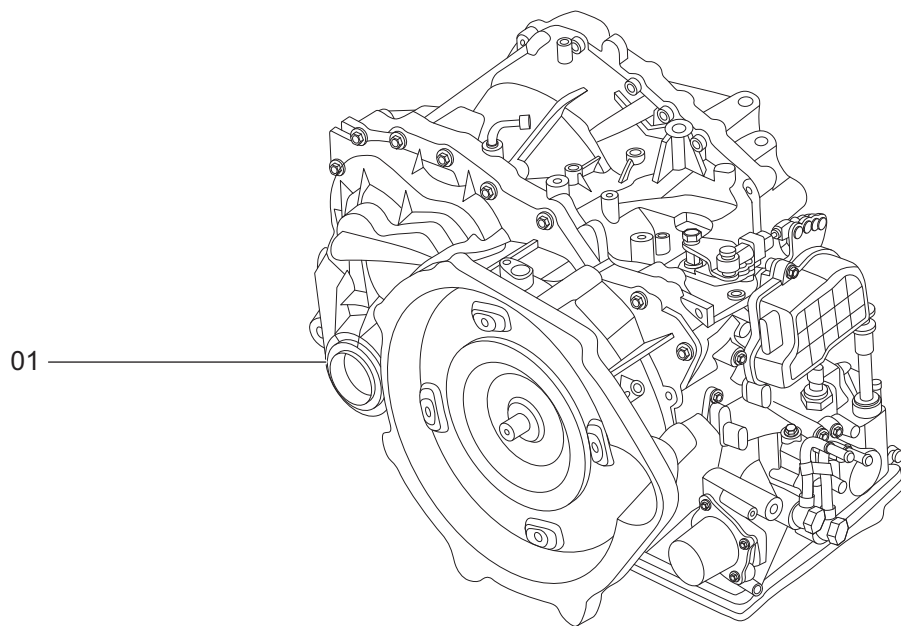
T1E040140

No.	Part No.	Station No.	Station Name	
01	F4J16-3611021	T1EKKK36110212711	Remove and reinstall Engine speed sensor	
02	131000198AA	T1EKKK10001982701	Remove and reinstall ECU	
03	131000043AA	T1EKKK10000432701	Remove and reinstall ECU hardware	
04	131000112AA	T1EKKK10001122751	Remove and reinstall ECU bracket	
		Ex: T1EKKK10001982701	Remove and reinstall ECU	



## TRANSMISSION - PROPELLER SHAFT

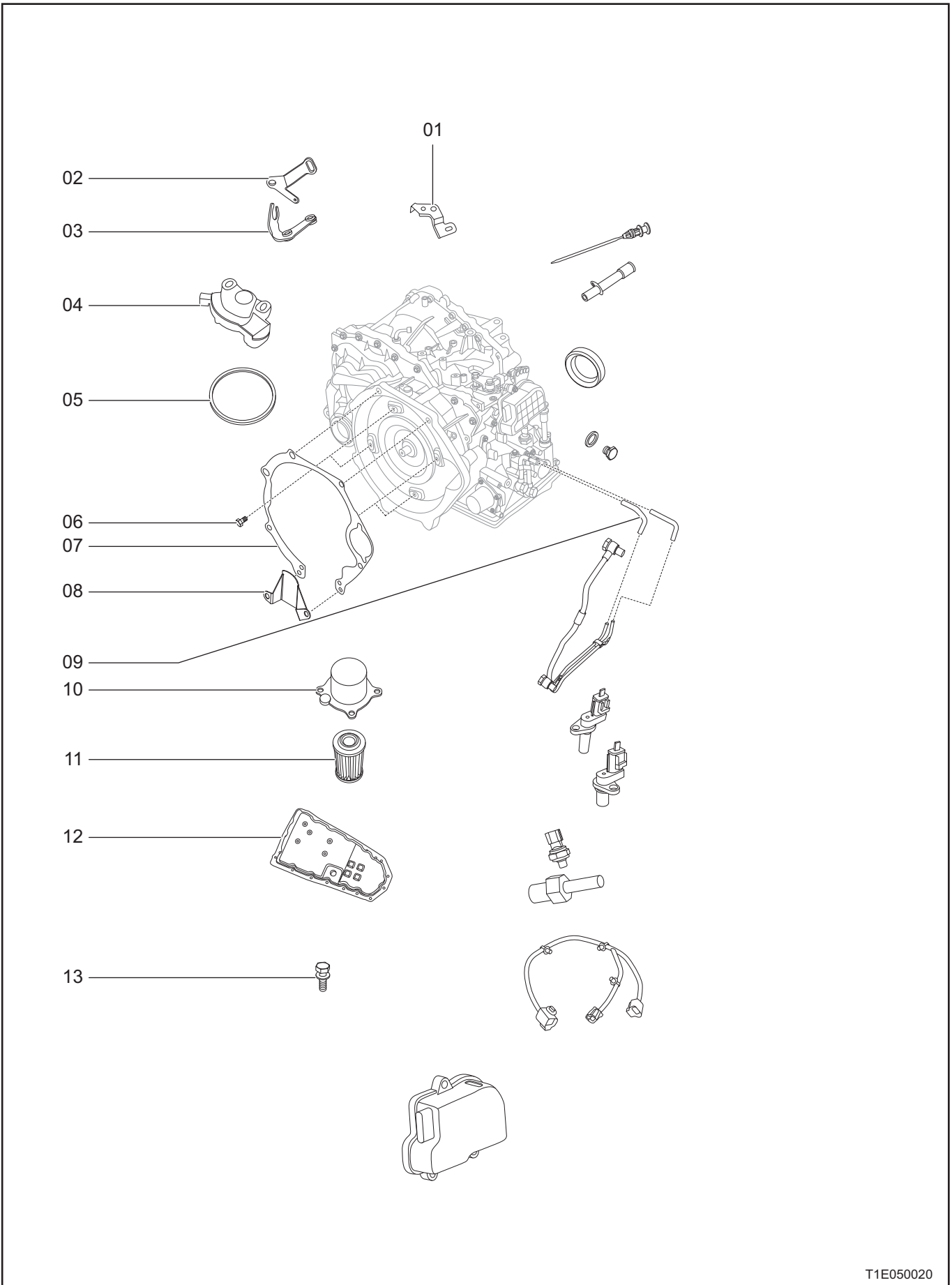
Transmission assy (CVT).....	05-2
Transmission accessory.....	05-4
Electronic shift mechanism system .....	05-8
Throttle control unit .....	05-10
Automatic transmission (7DCT).....	05-12
Drive shaft.....	05-14



T1E050010

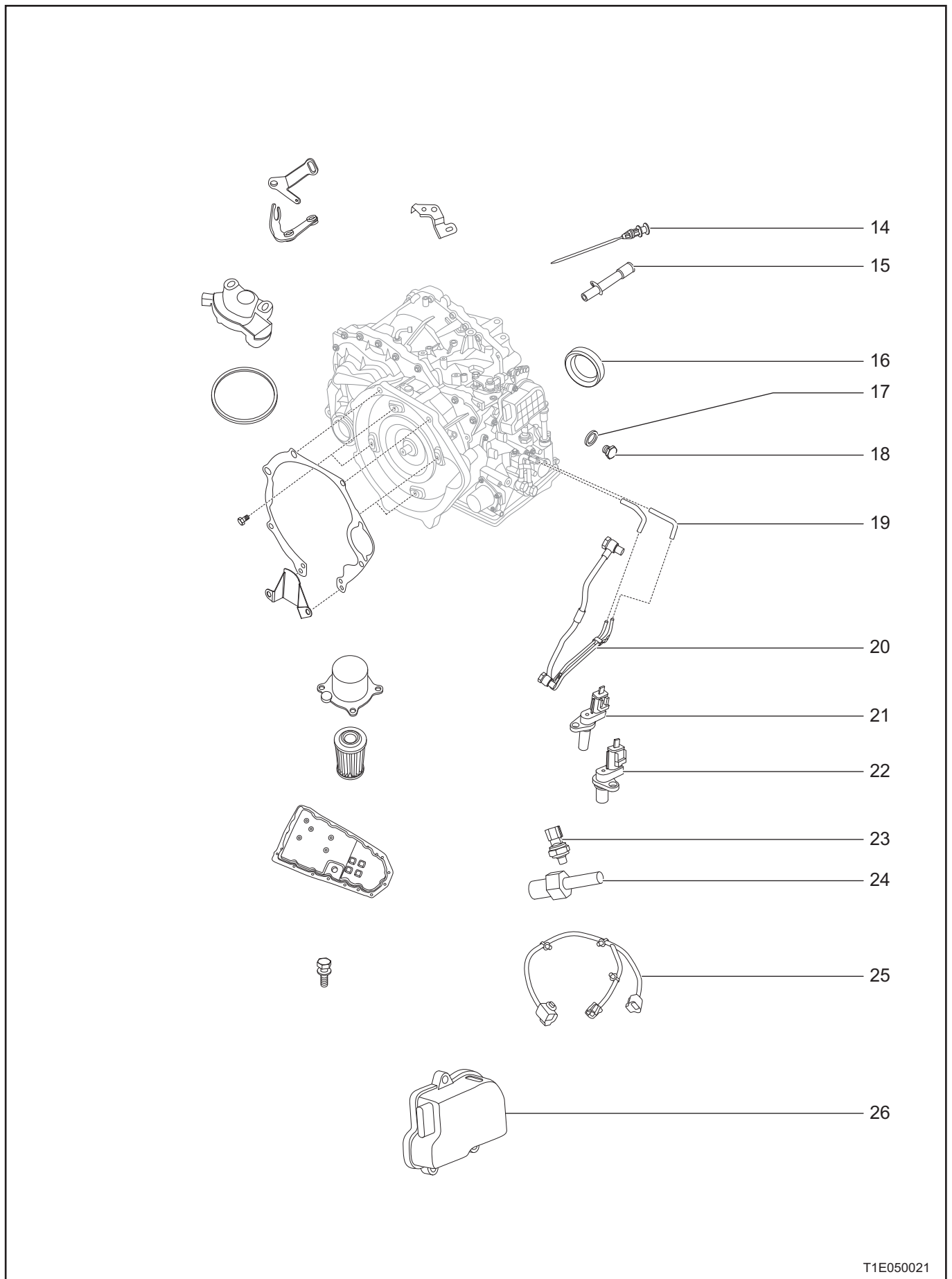


No.	Part No.	Station No.	Station Name	
01	025CHC-1500010BK	T1ECVT15000102701	Remove and reinstall Transmission assy	



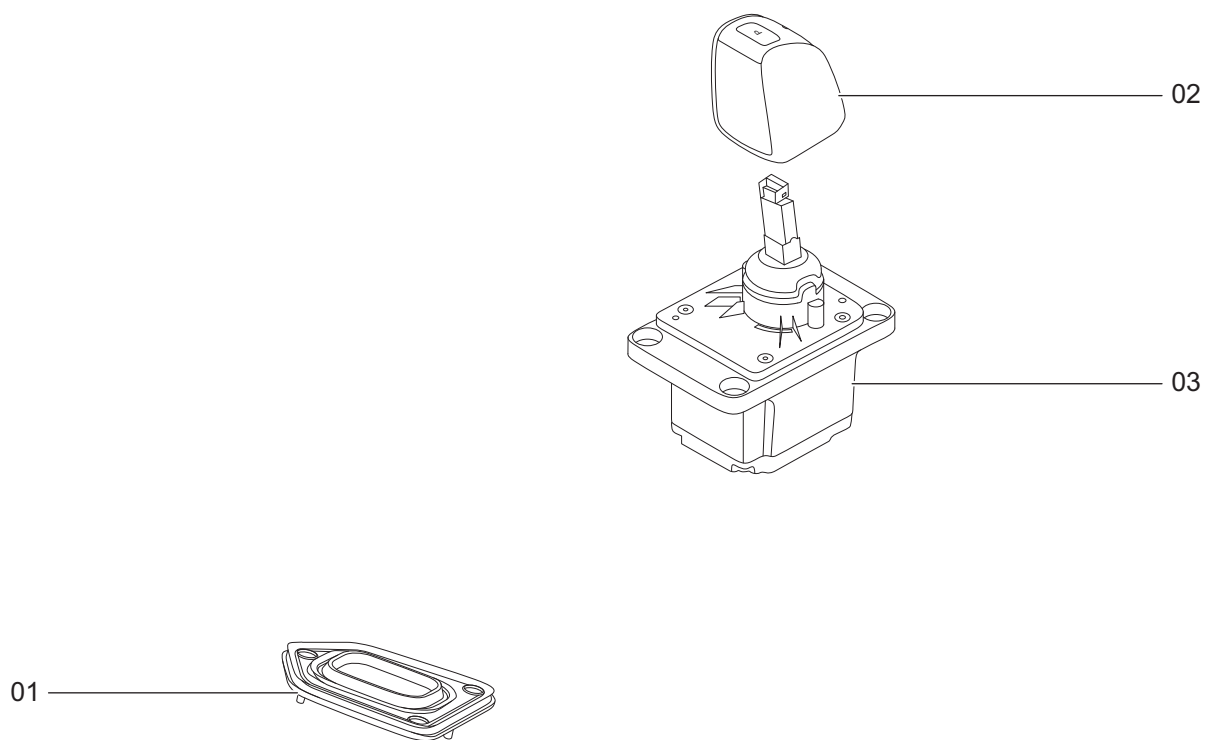
T1E050020

No.	Part No.	Station No.	Station Name	
01	025CHA-1504118	T1ECVT15041182701	Remove and reinstall Fixing bracket - peripheral wire harness assy	
02	025CHA-1504102	T1ECVT15041022701	Remove and reinstall Gear shift arm	
03	025CHA-1504110	T1ECVT15041102701	Remove and reinstall Gear shift cable bracket assy	
04	019CHA-1504220	T1ECVT15042202701	Remove and reinstall Gear position switch	
05	025CHA-1506531	T1ECVT15065312751	Remove and reinstall Gasket between OTR filter and transmission case	
		Ex: T1ECVT15065012701	Remove and reinstall OTR filter housing	
06	A21-1501203	T1ECVT15012032751	Remove and reinstall Bolt-hydraulic torque converter	
		Ex: T1ECVT15013012701	Remove and reinstall Dustproof plate	
07	123000017AA	T1ECVT30000172751	Remove and reinstall Dustproof gasket	
		Ex: T1ECVT15000102701	Remove and reinstall Transmission assy	
08	M11-1501301	T1ECVT15013012701	Remove and reinstall Dustproof plate	
09	123000033AA	T1ECVT30000332701	Remove and reinstall Transmission cooling hose II	
10	025CHA-1506501	T1ECVT15065012701	Remove and reinstall OTR filter housing	
11	025CHA-1506510	T1ECVT15065102751	Remove and reinstall OTR filter assy	
		Ex: T1ECVT15065012701	Remove and reinstall OTR filter housing	
12	025CHA-1506521	T1ECVT15065212701	Remove and reinstall Valve housing	
13	025CHA-1504132	T1ECVT15041322751	Remove and reinstall Cable bracket bolt	
		Ex: T1ECVT15041102701	Remove and reinstall Gear shift cable bracket assy	



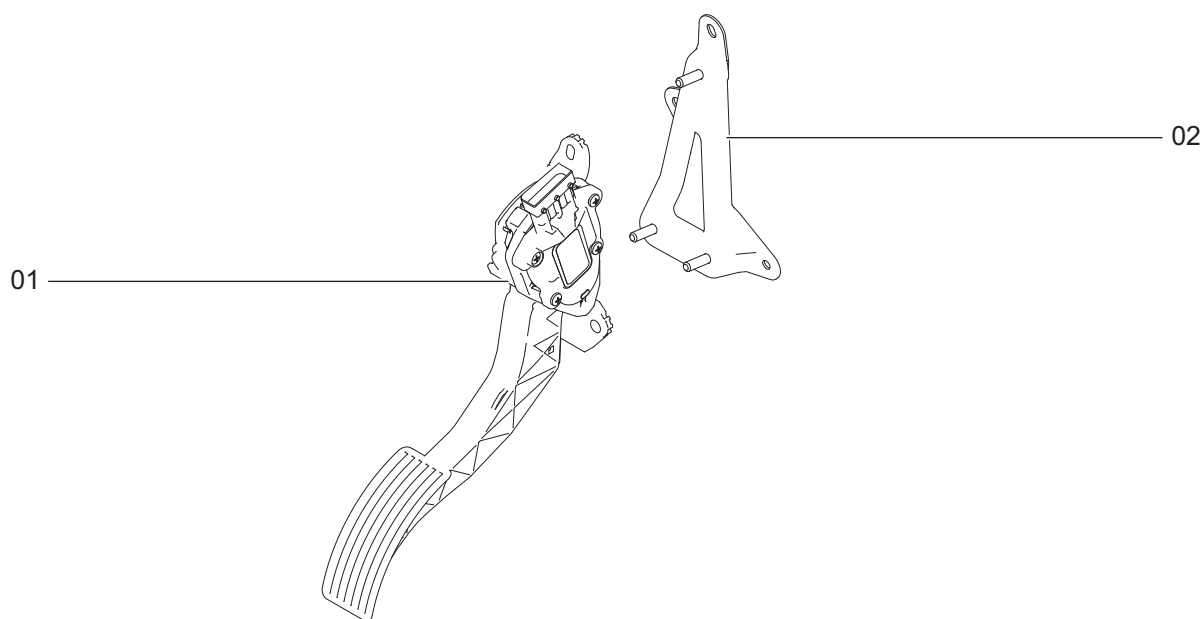
T1E050021

No.	Part No.	Station No.	Station Name	
14	025CHA-1503210	T1ECVT15032102701	Remove and reinstall Oil dipstick set	
15	025CHA-1503220	T1ECVT15032202701	Remove and reinstall Oil dipstick sleeve set	
16	019CHA-1502106	T1ECVT15021062751 Ex: T1EKKK40001952701	Remove and reinstall Differential oil seal Remove and reinstall FR drive shaft assy LH	
17	QR523-1701103	T1ECVT17011032701	Remove and reinstall Oil drain plug plate washer	
18	QR523-1701102	T1ECVT17011022701	Remove and reinstall Oil drain plug	
19	123000032AA	T1ECVT30000322701	Remove and reinstall Transmission cooling hose I	
20	123000031AA	T1ECVT30000312701	Remove and reinstall Transmission cooling oil pipe assy	
21	019CHA-1504230AB	T1ECVT15042302701	Remove and reinstall Speed sensor	
22	019CHA-1504240AB	T1ECVT15042402701	Remove and reinstall Input shaft speed sensor assy	
23	025CHA-1504210	T1ECVT15042102701	Remove and reinstall Oil pressure sensor assy	
24	025CHA-1501130	T1ECVT15011302701	Remove and reinstall Cooling oil pipe assy	
25	025CHA-1506500BA	T1ECVT15065002701	Remove and reinstall Transmission peripheral wire harness assy	
26	025CHA-1506600	T1ECVT15066002751 Ex: T1EKKK11091102701	Remove and reinstall Electronic shift module assy Remove and reinstall Air filter assy	



T1E050030

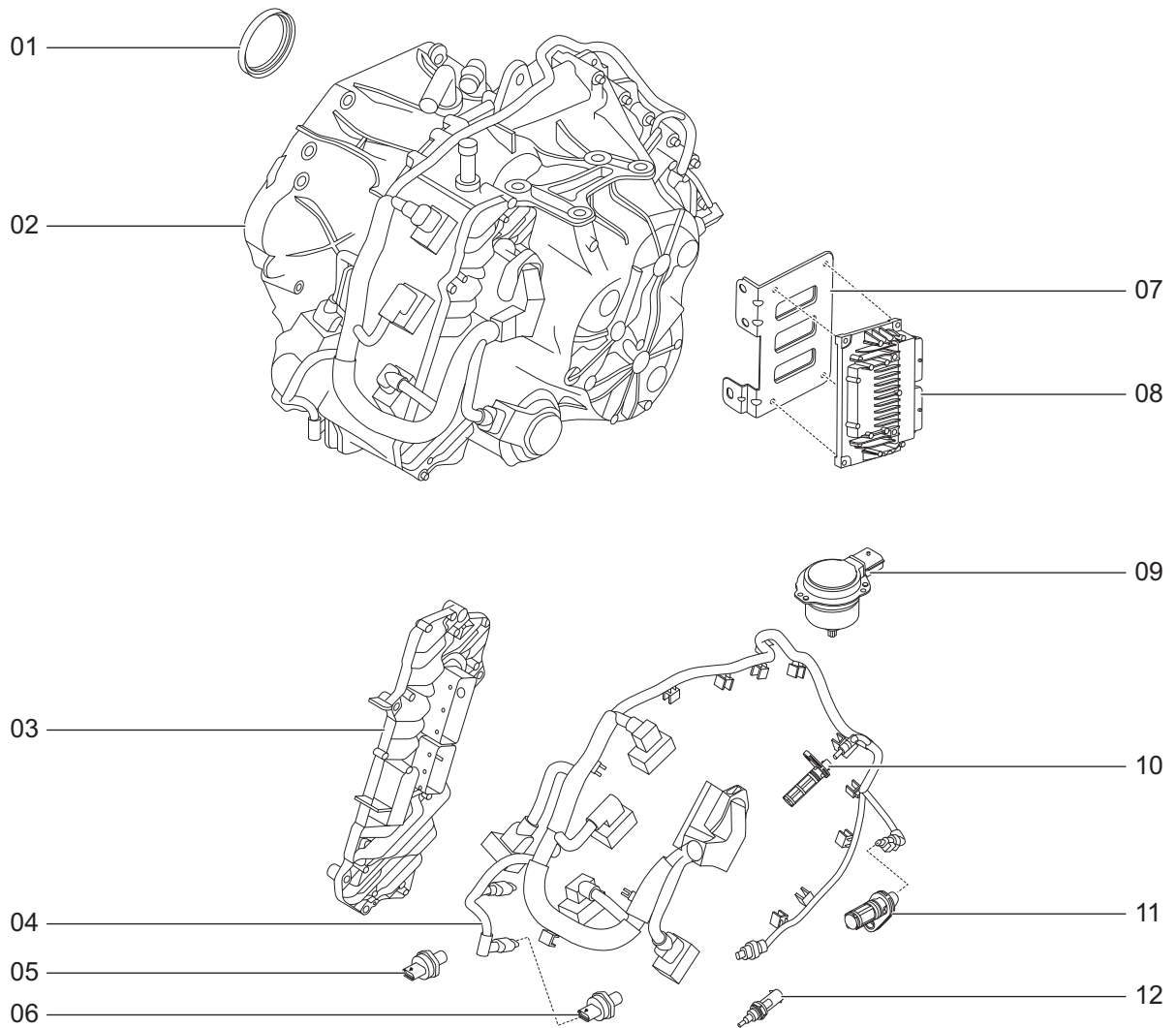
No.	Part No.	Station No.	Station Name	
01	156000087AA	T1EKKK60000872701	Remove and reinstall Cable block cover through hole	
02	156000156AA	T1EKKK60001562701	Remove and reinstall Shift handle assy	
	156000177AA	T1EKKK60001772701	Remove and reinstall Shift handle assy	
03	156000031AA	T1EKKK60000312751	Remove and reinstall Electronic shift control mechanism assy	
		Ex: T1EKKK80004322701	Remove and reinstall Auxiliary dashboard switch and cover plate assy	
	156000176AA	T1EKKK60001762751	Remove and reinstall Electronic shift control mechanism assy	
		Ex: T1EKKK11091102701	Remove and reinstall Air filter assy	



T1E050040

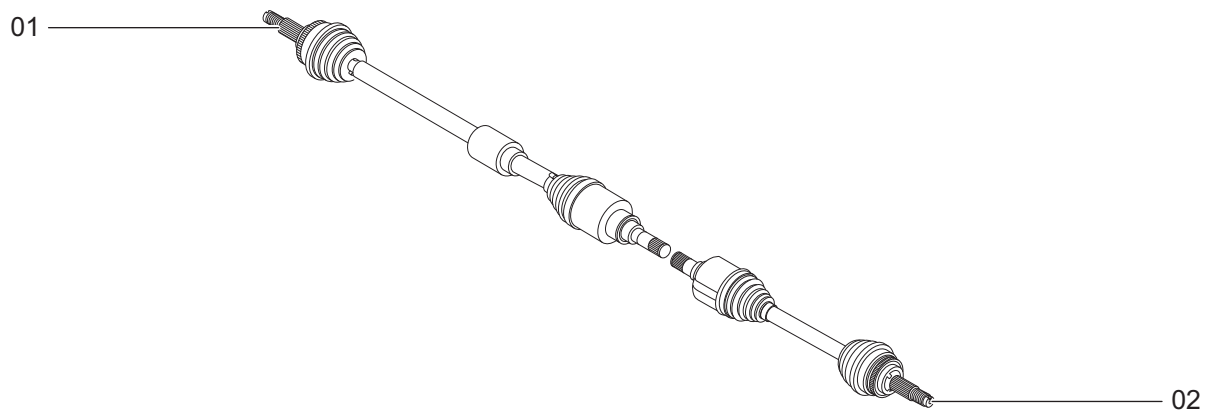


No.	Part No.	Station No.	Station Name	
01	J52-1108010	T1EKKK11080102701	Remove and reinstall Electronic accelerator pedal assy	
02	T15-1108110	T1EKKK11081102751	Remove and reinstall Accelerator pedal bracket assy	
		Ex: T1EKKK11080102701	Remove and reinstall Electronic accelerator pedal assy	



T1E050050

No.	Part No.	Station No.	Station Name	
01	9009070060	T1EDHB09070062751	Remove and reinstall Drive shaft oil seal	
		Ex: T1EKKK40001952701	Remove and reinstall FR drive shaft assy LH	
	9009071460	T1EDHB09071462751	Remove and reinstall Drive shaft oil seal	
		Ex: T1EKKK40001952701	Remove and reinstall FR drive shaft assy LH	
02	121000006AA	T1EDHB10000062701	Remove and reinstall Automatic transmission assy	
03	2510265800-A	T1EDHB02658002701	Remove and reinstall TCU	
04	2517262400	T1EDHB17262402751	Remove and reinstall Wire harness	
		Ex: T1EKKK37030112751	Remove and reinstall Battery tray	
		Ex: T1EKKK37030102701	Remove and reinstall Battery	
05	2517262301	T1EDHB17262302751	Remove and reinstall Pressure sensor 2	
		Ex: T1EKKK20007462701	Remove and reinstall Engine LWR protector	
06	2517254501	T1EDHB17254502751	Remove and reinstall Pressure sensor 1	
		Ex: T1EKKK20007462701	Remove and reinstall Engine LWR protector	
07	T15-3621011AB	T1EDHB36210112751	Remove and reinstall TCU bracket	
		Ex: T1EDHB20000212701	Remove and reinstall Automatic transmission control unit	
08	132000021AA	T1EDHB20000212701	Remove and reinstall Automatic transmission control unit	
	132000056AA	T1EDHB20000562701	Remove and reinstall Automatic transmission control unit	
09	2517255213	T1EDHB17255212751	Remove and reinstall Motor clutch	
		Ex: T1EKKK20007462701	Remove and reinstall Engine LWR protector	
10	2517253301	T1EDHB17253302751	Remove and reinstall Speed sensor 2	
		Ex: T1EKKK37030112751	Remove and reinstall Battery tray	
		Ex: T1EKKK37030102701	Remove and reinstall Battery	
11	2517253201	T1EDHB17253202751	Remove and reinstall Speed sensor 1	
		Ex: T1EKKK37030112751	Remove and reinstall Battery tray	
		Ex: T1EKKK37030102701	Remove and reinstall Battery	
12	2517256602	T1EDHB17256602701	Remove and reinstall Temperature sensor	



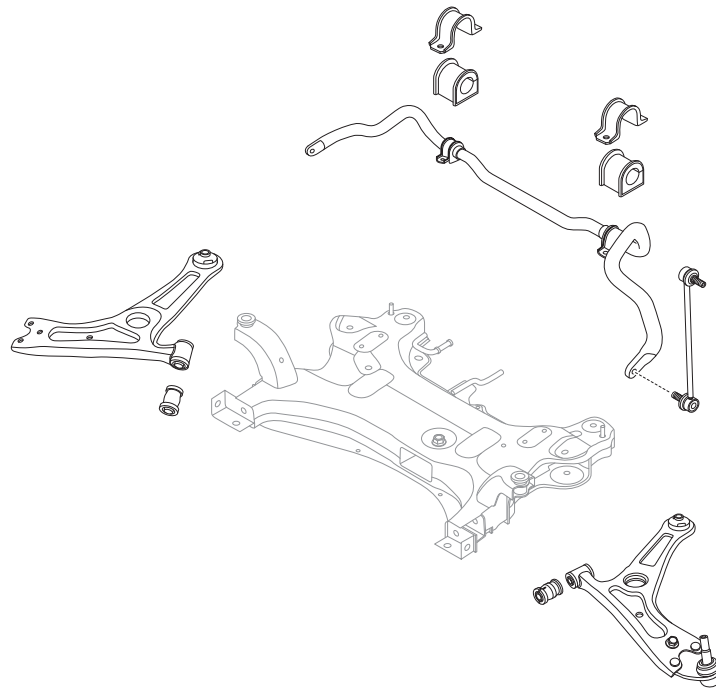
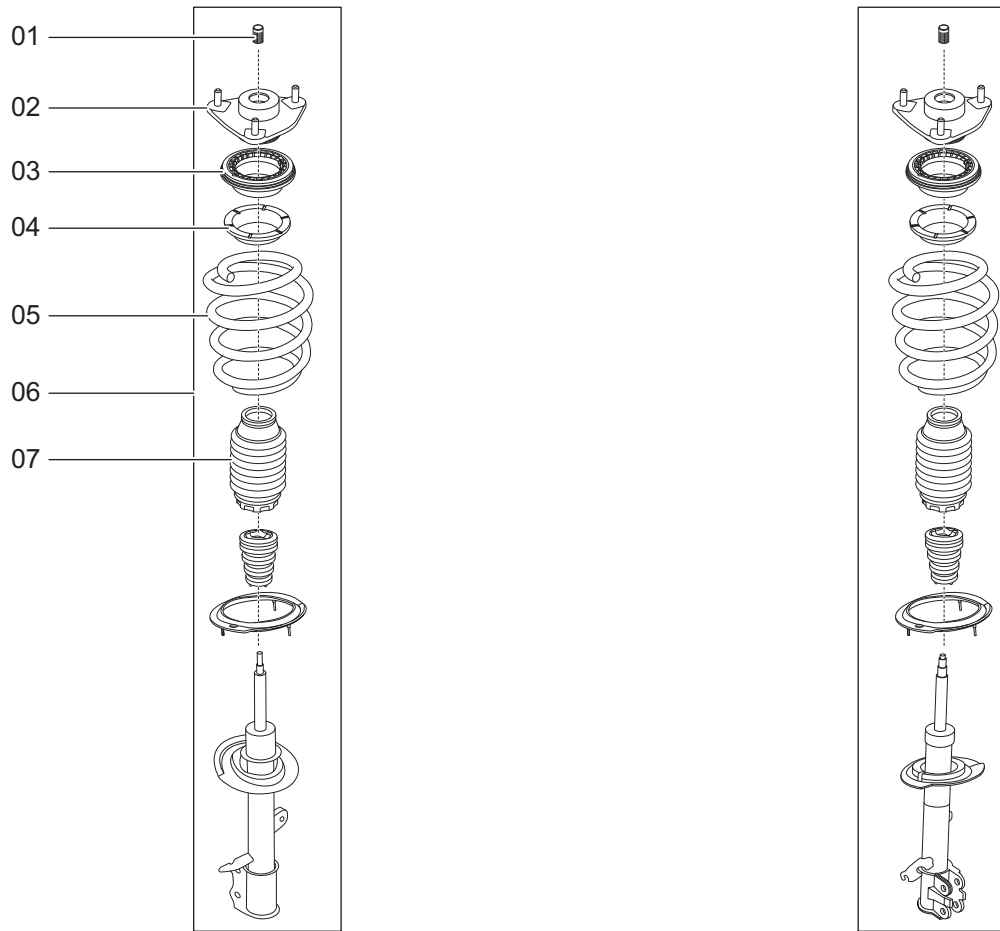
T1E050060

No.	Part No.	Station No.	Station Name	
01	154000196AA	T1EKKK40001962701	Remove and reinstall FR PROPELLER SHAFT-RH	
02	154000195AA	T1EKKK40001952701	Remove and reinstall FR drive shaft assy LH	



## SUSPENSION - STEERING

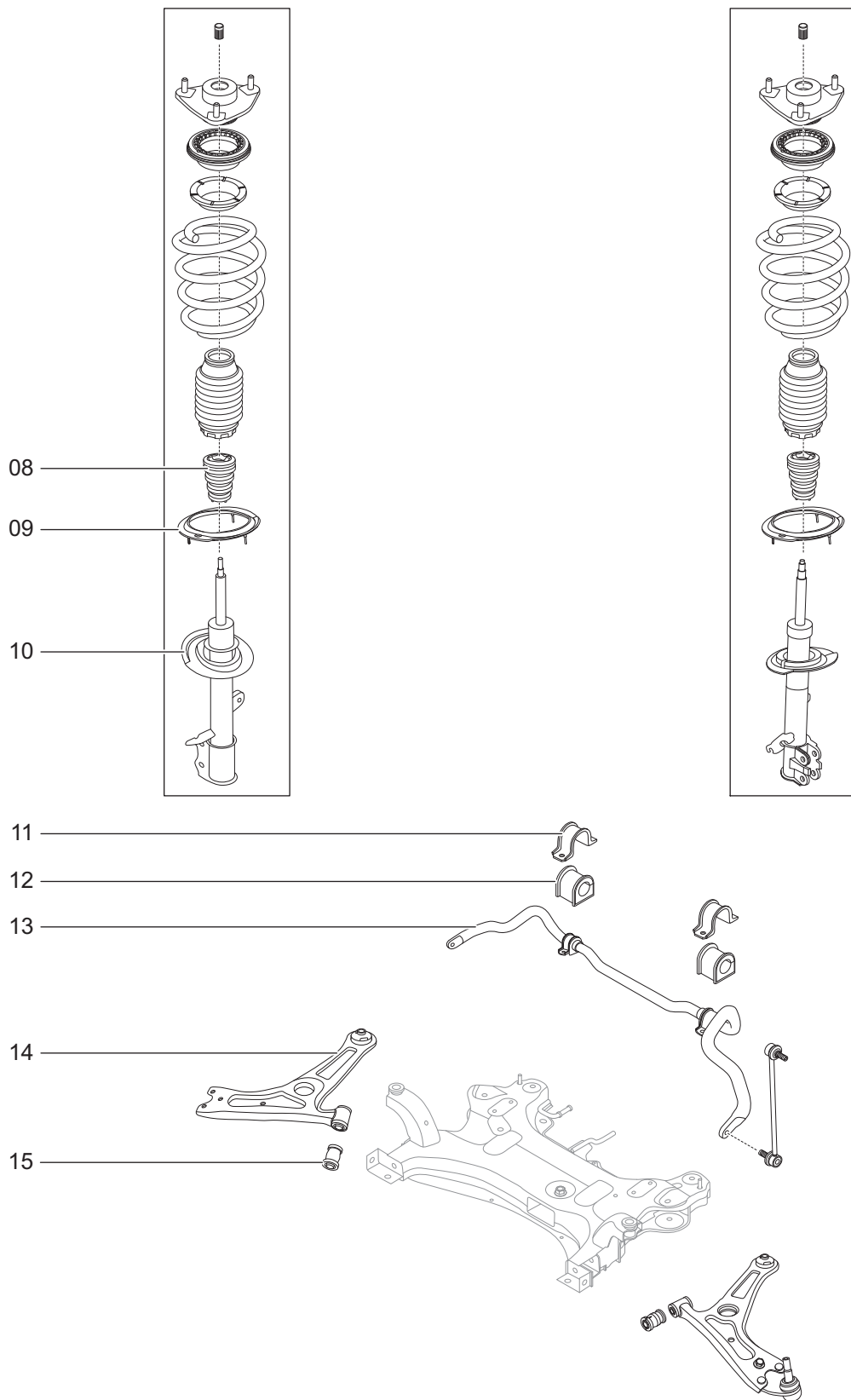
FR suspension.....	06-2
RR suspension .....	06-8
Sub FFrame.....	06-18



T1E060010

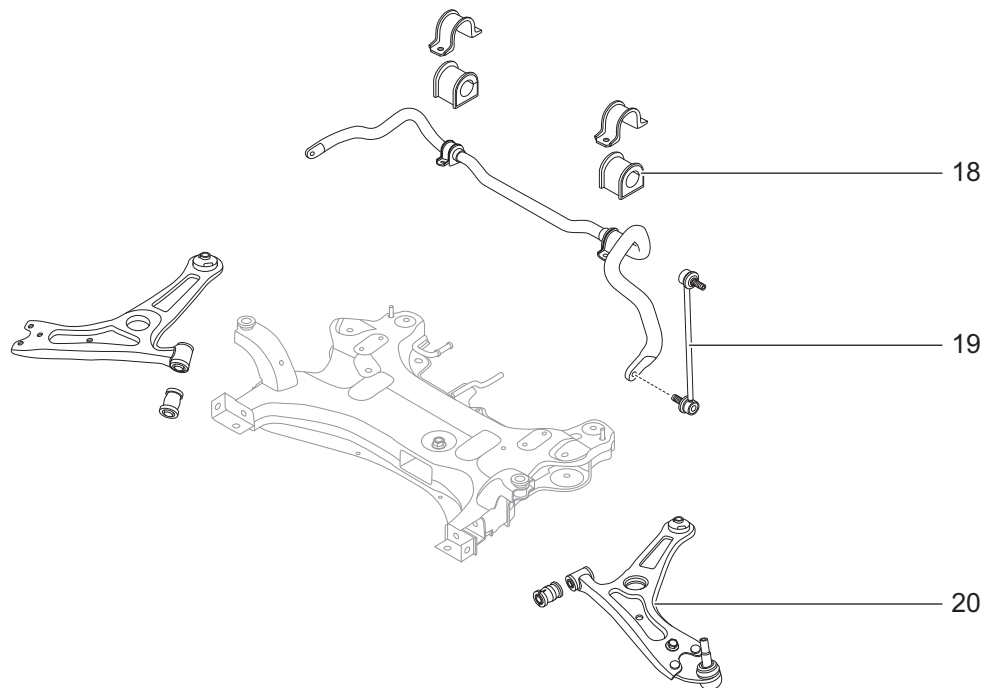
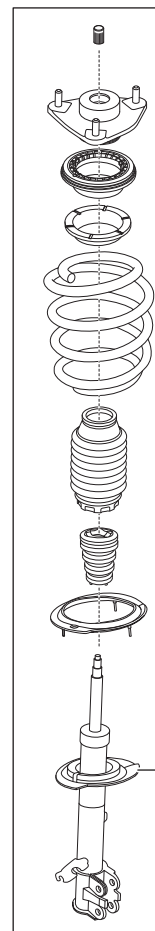
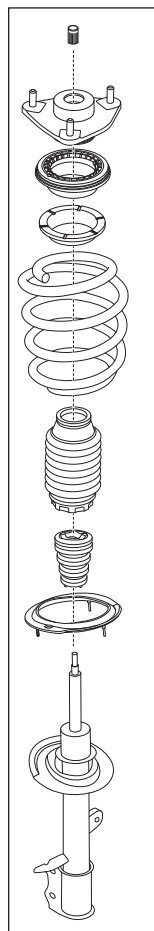


No.	Part No.	Station No.	Station Name	
01	M11-2901013	T1EKKK29010132701	Remove and reinstall FR shock absorber cap	
		T1EKKK29010132761	Remove and reinstall FR shock absorber cap	
02	T15-2901110	T1EKKK29011102751	Remove and reinstall Connecting bracket assy	
		Ex: T1EKKK20003562751	Remove and reinstall FR strut assy LH	
		Ex: T1EKKK10000001201	FR wheel alignment	
		T1EKKK29011102761	Remove and reinstall Connecting bracket assy	
		Ex: T1EKKK20003572751	Remove and reinstall FR strut assy RH	
		Ex: T1EKKK10000001201	FR wheel alignment	
03	T15-2901040	T1EKKK29010402751	Remove and reinstall Bearing assy	
		Ex: T1EKKK20003562751	Remove and reinstall FR strut assy LH	
		Ex: T1EKKK10000001201	FR wheel alignment	
		T1EKKK29010402761	Remove and reinstall Bearing assy	
		Ex: T1EKKK20003572751	Remove and reinstall FR strut assy RH	
		Ex: T1EKKK10000001201	FR wheel alignment	
04	T15-2901023	T1EKKK29010232751	Remove and reinstall FR spring UPR pad	
		Ex: T1EKKK20003562751	Remove and reinstall FR strut assy LH	
		Ex: T1EKKK10000001201	FR wheel alignment	
		T1EKKK29010232761	Remove and reinstall FR spring UPR pad	
		Ex: T1EKKK20003572751	Remove and reinstall FR strut assy RH	
		Ex: T1EKKK10000001201	FR wheel alignment	
05	202000358AA	T1EKKK20003582751	Remove and reinstall FR coil spring	
		Ex: T1EKKK20003562751	Remove and reinstall FR strut assy LH	
		Ex: T1EKKK10000001201	FR wheel alignment	
		T1EKKK20003582761	Remove and reinstall FR coil spring	
		Ex: T1EKKK20003572751	Remove and reinstall FR strut assy RH	
		Ex: T1EKKK10000001201	FR wheel alignment	
06	202000357AA	T1EKKK20003572751	Remove and reinstall FR strut assy RH	
		Ex: T1EKKK10000001201	FR wheel alignment	
07	T15-2901021	T1EKKK29010212751	Remove and reinstall Front dust boot	
		Ex: T1EKKK20003562751	Remove and reinstall FR strut assy LH	
		Ex: T1EKKK10000001201	FR wheel alignment	
		T1EKKK29010212761	Remove and reinstall Front dust boot	
		Ex: T1EKKK20003572751	Remove and reinstall FR strut assy RH	
		Ex: T1EKKK10000001201	FR wheel alignment	



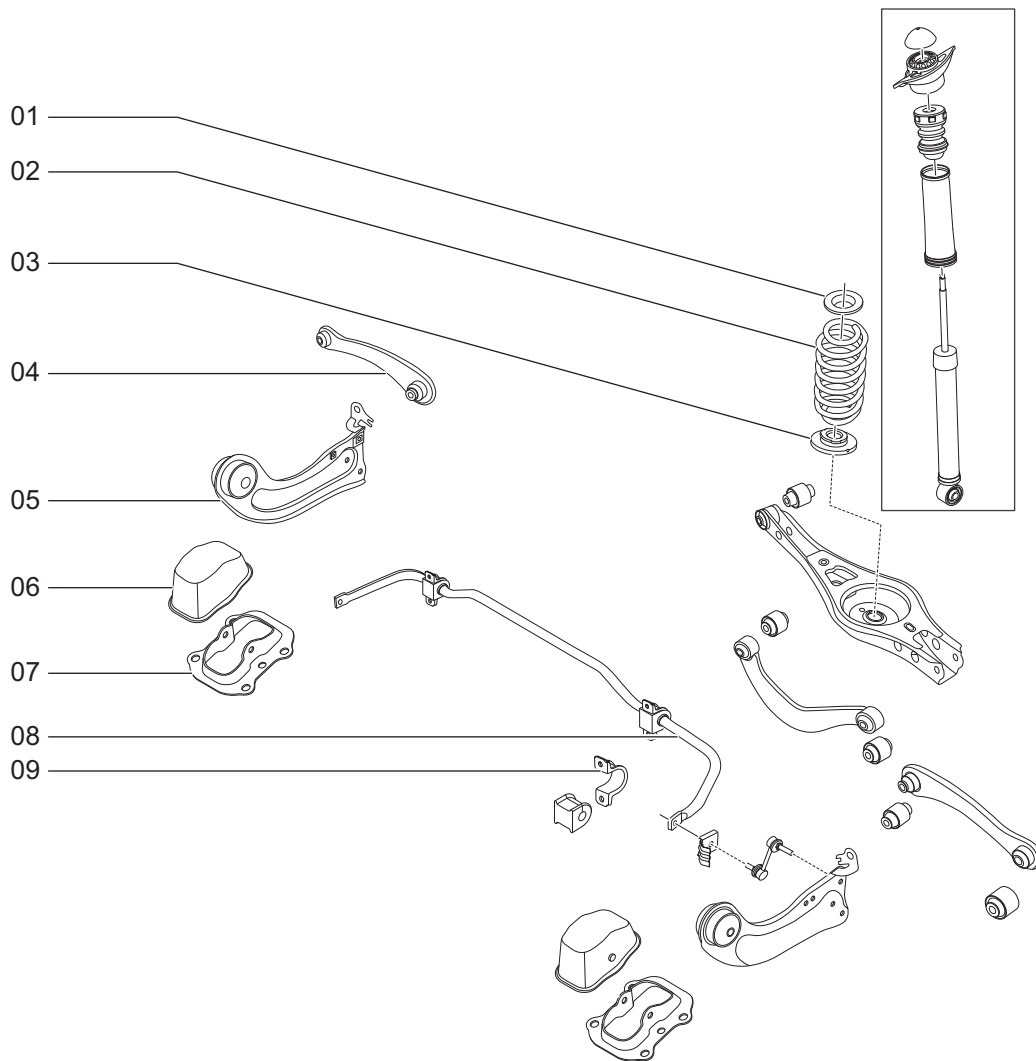
T1E060011

No.	Part No.	Station No.	Station Name
08	J68-2901027	T1EKKK29010272761	Remove and reinstall FR bump block
		Ex: T1EKKK20003572751	Remove and reinstall FR strut assy RH
		Ex: T1EKKK10000001201	FR wheel alignment
		T1EKKK29010272751	Remove and reinstall FR bump block
		Ex: T1EKKK20003562751	Remove and reinstall FR strut assy LH
		Ex: T1EKKK10000001201	FR wheel alignment
09	T15-2901029	T1EKKK29010292751	Remove and reinstall FR spring LWR pad
		Ex: T1EKKK20003562751	Remove and reinstall FR strut assy LH
		Ex: T1EKKK10000001201	FR wheel alignment
		T1EKKK29010292761	Remove and reinstall FR spring LWR pad
		Ex: T1EKKK20003572751	Remove and reinstall FR strut assy RH
		Ex: T1EKKK10000001201	FR wheel alignment
10	202000360AA	T1EKKK20003602751	Remove and reinstall FR shock absorber assy RH
		Ex: T1EKKK20003572751	Remove and reinstall FR strut assy RH
		Ex: T1EKKK10000001201	FR wheel alignment
11	T15-2906017	T1EKKK29060172701	Remove and reinstall FR connecting rod clip
		T1EKKK29060172711	Remove and reinstall FR connecting rod clip
12	202000406AA	T1EKKK20004062701	Remove and reinstall FR stabilizer rod sleeve RH
13	T15-2906010	T1EKKK29060102701	Remove and reinstall FR stabilizer rod assy
14	202000471AA	T1EKKK20004712751	Remove and reinstall FR control arm assy RH
		Ex: T1EKKK10000001201	FR wheel alignment
		Ex: T1EKKK28011202751	Remove and reinstall Side rail welding assy RH
		Ex: T1EKKK20007462701	Remove and reinstall Engine LWR protector
15	T21-2909070	T1EKKK29090702751	Remove and reinstall FR rubber sleeve assy
		Ex: T1EKKK20004702751	Remove and reinstall FR control arm assy LH
		Ex: T1EKKK10000001201	FR wheel alignment
		Ex: T1EKKK28011102751	Remove and reinstall Side rail welding assy LH
		Ex: T1EKKK20007462701	Remove and reinstall Engine LWR protector
		T1EKKK29090702761	Remove and reinstall FR rubber sleeve assy
		Ex: T1EKKK20004712751	Remove and reinstall FR control arm assy RH
		Ex: T1EKKK10000001201	FR wheel alignment
Ex: T1EKKK28011202751	Remove and reinstall Side rail welding assy RH		
Ex: T1EKKK20007462701	Remove and reinstall Engine LWR protector		



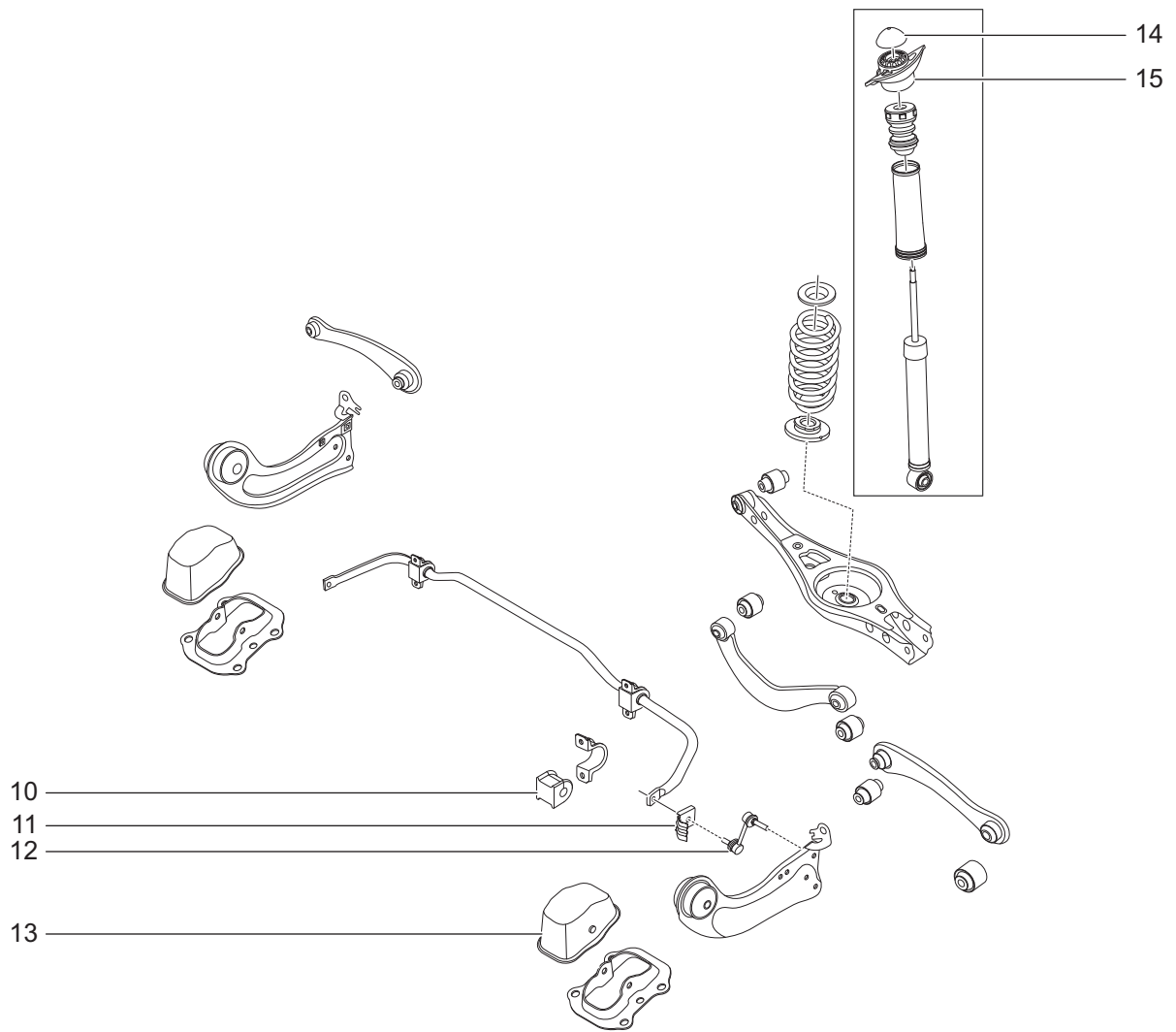
T1E060012

No.	Part No.	Station No.	Station Name	
16	202000356AA	T1EKKK20003562751	Remove and reinstall FR strut assy LH	
		Ex: T1EKKK10000001201	FR wheel alignment	
17	202000359AA	T1EKKK20003592751	Remove and reinstall FR shock absorber assy LH	
		Ex: T1EKKK20003562751	Remove and reinstall FR strut assy LH	
		Ex: T1EKKK10000001201	FR wheel alignment	
18	202000405AA	T1EKKK20004052701	Remove and reinstall FR stabilizer rod sleeve LH	
19	T11-2906030BU	T1EKKK29060302701	Remove and reinstall FR connecting rod assy	
		T1EKKK29060302761	Remove and reinstall FR connecting rod assy	
20	202000470AA	T1EKKK20004702751	Remove and reinstall FR control arm assy LH	
		Ex: T1EKKK10000001201	FR wheel alignment	
		Ex: T1EKKK28011102751	Remove and reinstall Side rail welding assy LH	
		Ex: T1EKKK20007462701	Remove and reinstall Engine LWR protector	



T1E060020

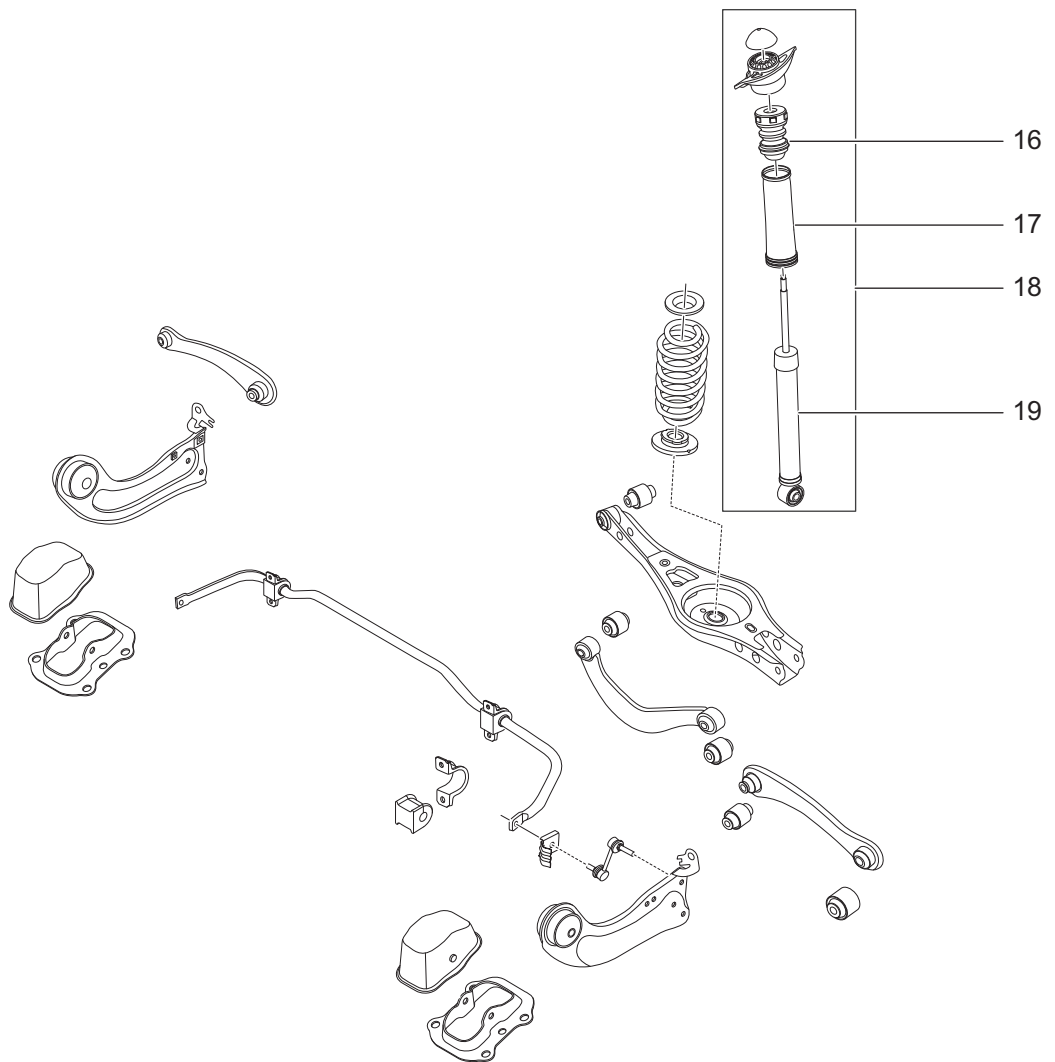
No.	Part No.	Station No.	Station Name	
01	J60-2911031	T1EKKK29110312751	Remove and reinstall RR coil spring UPR pad	
		Ex: T1EKKK20004992751	Remove and reinstall RR coil spring	
		Ex: T1EKKK10000001202	RR wheel alignment	
		T1EKKK29110312761	Remove and reinstall RR coil spring UPR pad	
		Ex: T1EKKK20004992761	Remove and reinstall RR coil spring	
		Ex: T1EKKK10000001202	RR wheel alignment	
02	202000499AA	T1EKKK20004992751	Remove and reinstall RR coil spring	
		Ex: T1EKKK10000001202	RR wheel alignment	
		T1EKKK20004992761	Remove and reinstall RR coil spring	
		Ex: T1EKKK10000001202	RR wheel alignment	
03	M11-2911045	T1EKKK29110452751	Remove and reinstall RR coil spring LWR pad	
		Ex: T1EKKK20004992751	Remove and reinstall RR coil spring	
		Ex: T1EKKK10000001202	RR wheel alignment	
		T1EKKK29110452761	Remove and reinstall RR coil spring LWR pad	
		Ex: T1EKKK20004992761	Remove and reinstall RR coil spring	
		Ex: T1EKKK10000001202	RR wheel alignment	
04	202000233AA	T1EKKK20002332751	Remove and reinstall Tie rod assy RH	
		Ex: T1EKKK10000001202	RR wheel alignment	
05	202000490AA	T1EKKK20004902751	Remove and reinstall RR towing arm assy RH	
		Ex: T1EKKK10000001202	RR wheel alignment	
06	T15-3301046	T1EKKK33010462751	Remove and reinstall Trailing arm mounting bracket dust boot RH	
		Ex: T1EKKK20004902751	Remove and reinstall RR towing arm assy RH	
		Ex: T1EKKK10000001202	RR wheel alignment	
07	202000474AA	T1EKKK20004742751	Remove and reinstall Trailing arm bracket assy	
		Ex: T1EKKK20004892751	Remove and reinstall RR towing arm assy LH	
		Ex: T1EKKK10000001202	RR wheel alignment	
		T1EKKK20004742761	Remove and reinstall Trailing arm bracket assy	
		Ex: T1EKKK20004902751	Remove and reinstall RR towing arm assy RH	
		Ex: T1EKKK10000001202	RR wheel alignment	
08	202000046AA	T1EKKK20000462701	Remove and reinstall RR stabilizer rod assy	
09	T15-2916017	T1EKKK29160172701	Remove and reinstall RR stabilizer rod clip	
		T1EKKK29160172711	Remove and reinstall RR stabilizer rod clip	



T1E060021

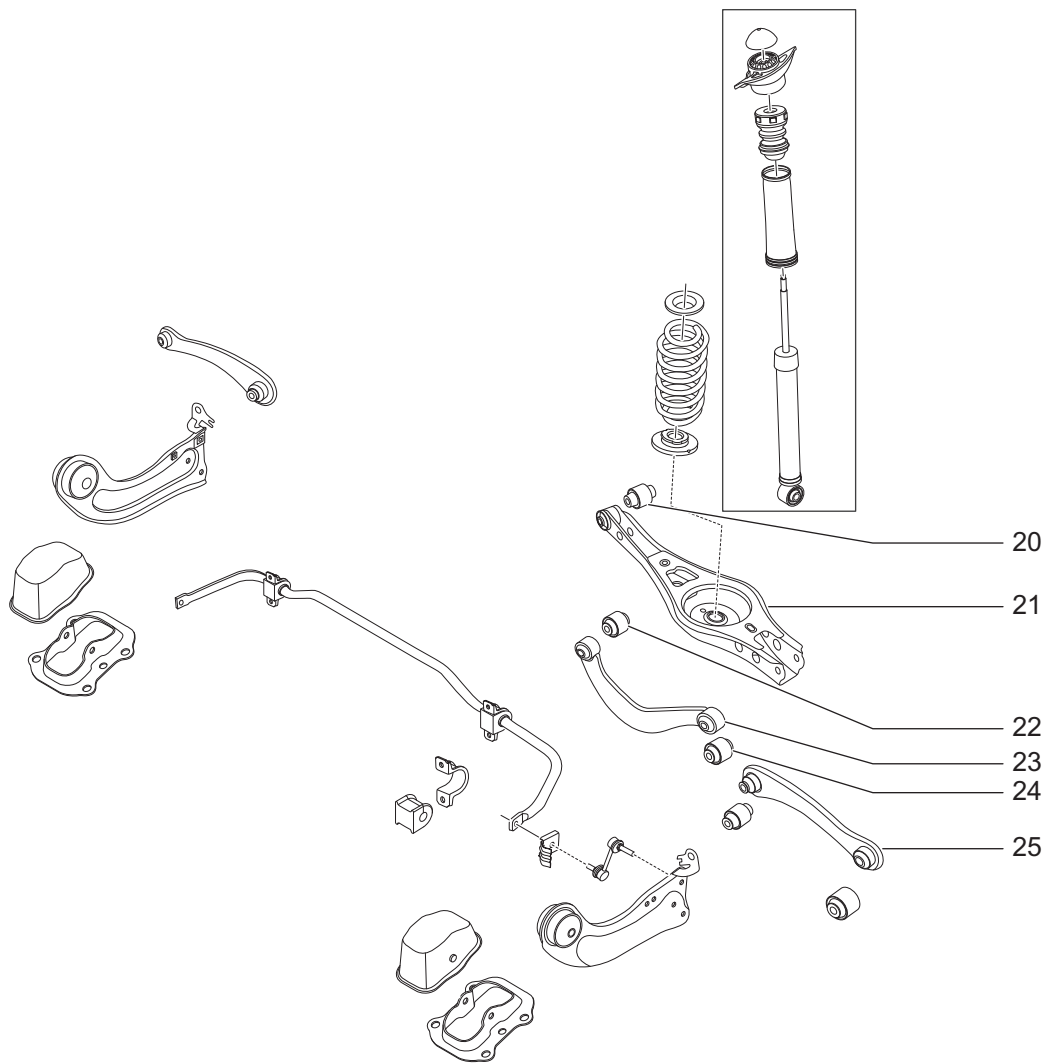


No.	Part No.	Station No.	Station Name	
10	202000048AA	T1EKKK20000482751	Remove and reinstall RR stabilizer rod sleeve	
		Ex: T1EKKK29160172701	Remove and reinstall RR stabilizer rod clip	
		T1EKKK20000482761	Remove and reinstall RR stabilizer rod sleeve	
		Ex: T1EKKK29160172711	Remove and reinstall RR stabilizer rod clip	
11	M11-2906031	T1EKKK29060312701	Remove and reinstall RR connecting rod boot	
		T1EKKK29060312761	Remove and reinstall RR connecting rod boot	
12	M11-2916030	T1EKKK29160302701	Remove and reinstall RR connecting rod assy	
		T1EKKK29160302761	Remove and reinstall RR connecting rod assy	
13	T15-3301045	T1EKKK33010452751	Remove and reinstall Trailing arm mounting bracket dust boot LH	
		Ex: T1EKKK20004892751	Remove and reinstall RR towing arm assy LH	
		Ex: T1EKKK10000001202	RR wheel alignment	
14	J42-2911013	T1EKKK29110132751	Remove and reinstall Shock absorber cap	
		Ex: T1EKKK20003612751	Remove and reinstall RR shock absorber unit	
		Ex: T1EKKK20006112751	Remove and reinstall RR wheel house protector assy LH	
		Ex: T1EKKK90005012701	Remove and reinstall RR wheel arch trim assy LH	
		T1EKKK29110132761	Remove and reinstall Shock absorber cap	
		Ex: T1EKKK20003612761	Remove and reinstall RR shock absorber unit	
15	J42-2915023	Ex: T1EKKK20006122751	Remove and reinstall RR wheel house protector assy RH	
		Ex: T1EKKK90005022701	Remove and reinstall RR wheel arch trim assy RH	
		T1EKKK29150232751	Remove and reinstall RR shock absorber UPR connecting panel with vibration isolating block assy	
		Ex: T1EKKK20003612751	Remove and reinstall RR shock absorber unit	
		Ex: T1EKKK20006122751	Remove and reinstall RR wheel house protector assy LH	
		Ex: T1EKKK90005012701	Remove and reinstall RR wheel arch trim assy LH	
		T1EKKK29150232761	Remove and reinstall RR shock absorber UPR connecting panel with vibration isolating block assy	
		Ex: T1EKKK20003612761	Remove and reinstall RR shock absorber unit	
		Ex: T1EKKK20006122751	Remove and reinstall RR wheel house protector assy RH	
		Ex: T1EKKK90005022701	Remove and reinstall RR wheel arch trim assy RH	



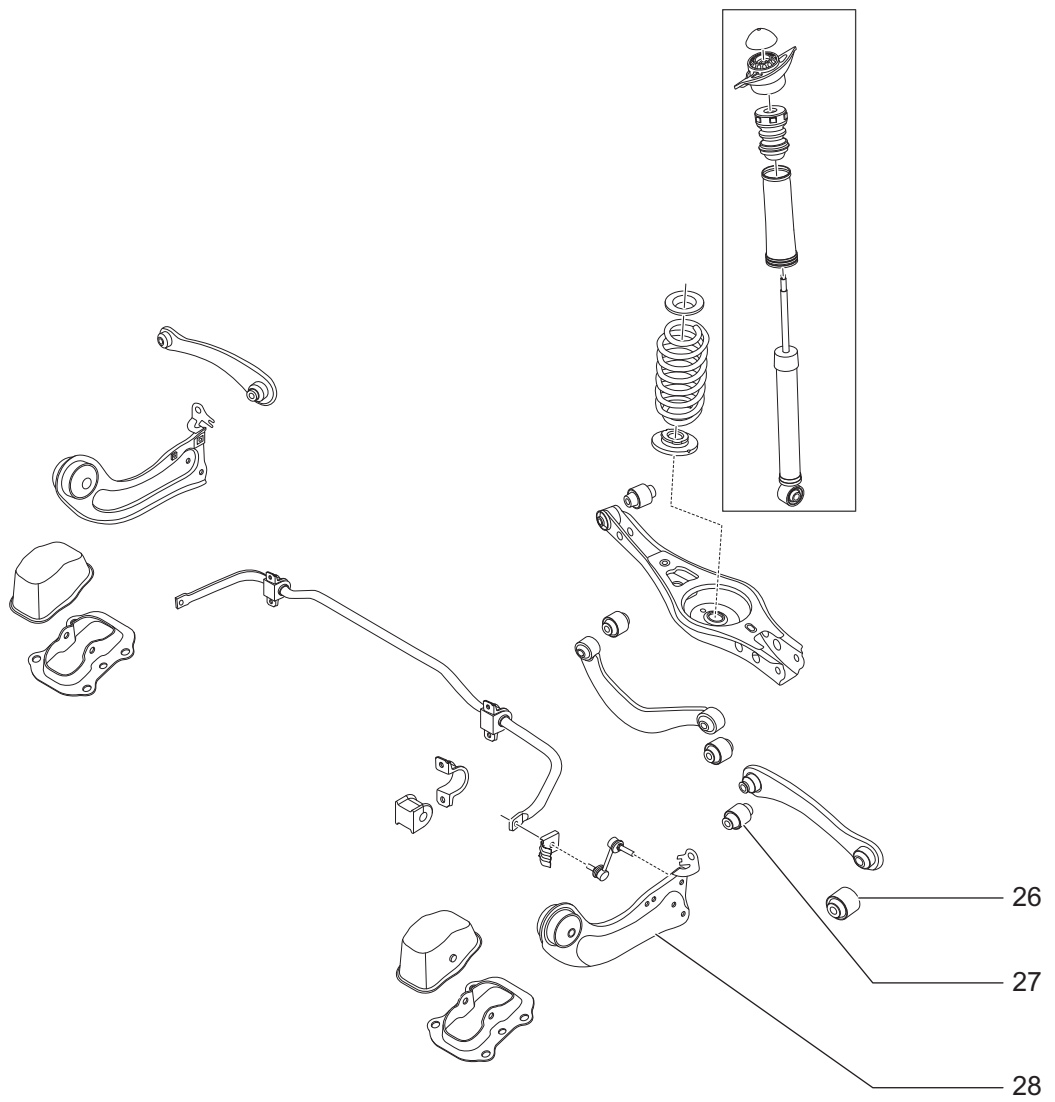
T1E060022

No.	Part No.	Station No.	Station Name
16	J60-2911033	T1EKKK29110332751	Remove and reinstall RR bump block
		Ex: T1EKKK20003612751	Remove and reinstall RR shock absorber unit
		Ex: T1EKKK20006112751	Remove and reinstall RR wheel house protector assy LH
		Ex: T1EKKK90005012701	Remove and reinstall RR wheel arch trim assy LH
		T1EKKK29110332761	Remove and reinstall RR bump block
		Ex: T1EKKK20003612761	Remove and reinstall RR shock absorber unit
		Ex: T1EKKK20006122751	Remove and reinstall RR wheel house protector assy RH
		Ex: T1EKKK90005022701	Remove and reinstall RR wheel arch trim assy RH
17	J60-2915024	T1EKKK29150242751	Remove and reinstall RR shock absorber dust boot
		Ex: T1EKKK20003612751	Remove and reinstall RR shock absorber unit
		Ex: T1EKKK20006112751	Remove and reinstall RR wheel house protector assy LH
		Ex: T1EKKK90005012701	Remove and reinstall RR wheel arch trim assy LH
		T1EKKK29150242761	Remove and reinstall RR shock absorber dust boot
		Ex: T1EKKK20003612761	Remove and reinstall RR shock absorber unit
		Ex: T1EKKK20006122751	Remove and reinstall RR wheel house protector assy RH
		Ex: T1EKKK90005022701	Remove and reinstall RR wheel arch trim assy RH
18	202000361AA	T1EKKK20003612751	Remove and reinstall RR shock absorber unit
		Ex: T1EKKK20006112751	Remove and reinstall RR wheel house protector assy LH
		Ex: T1EKKK90005012701	Remove and reinstall RR wheel arch trim assy LH
		T1EKKK20003612761	Remove and reinstall RR shock absorber unit
		Ex: T1EKKK20006122751	Remove and reinstall RR wheel house protector assy RH
		Ex: T1EKKK90005022701	Remove and reinstall RR wheel arch trim assy RH
19	202000362AA	T1EKKK20003622751	Remove and reinstall RR shock absorber assy
		Ex: T1EKKK20003612751	Remove and reinstall RR shock absorber unit
		Ex: T1EKKK20006112751	Remove and reinstall RR wheel house protector assy LH
		Ex: T1EKKK90005012701	Remove and reinstall RR wheel arch trim assy LH
		T1EKKK20003622761	Remove and reinstall RR shock absorber assy
		Ex: T1EKKK20003612761	Remove and reinstall RR shock absorber unit
		Ex: T1EKKK20006122751	Remove and reinstall RR wheel house protector assy RH
		Ex: T1EKKK90005022701	Remove and reinstall RR wheel arch trim assy RH



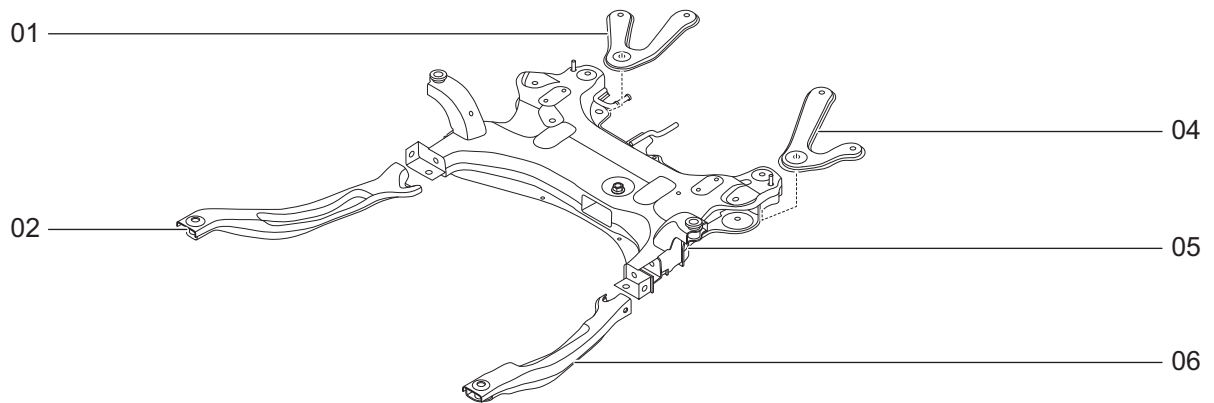
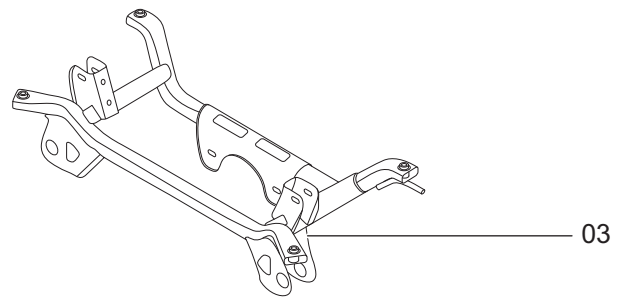
T1E060023

No.	Part No.	Station No.	Station Name		
20	M11-2919240	T1EKKK29192402751	Remove and reinstall RR LWR control arm rubber sleeve assy		
		Ex: T1EKKK20002312751	Remove and reinstall RR LWR control arm assy		
		Ex: T1EKKK10000001202	RR wheel alignment		
		T1EKKK29192402761	Remove and reinstall RR LWR control arm rubber sleeve assy		
		Ex: T1EKKK20002312761	Remove and reinstall RR LWR control arm assy		
		Ex: T1EKKK10000001202	RR wheel alignment		
21	202000231AA	T1EKKK20002312751	Remove and reinstall RR LWR control arm assy		
		Ex: T1EKKK10000001202	RR wheel alignment		
		T1EKKK20002312761	Remove and reinstall RR LWR control arm assy		
		Ex: T1EKKK10000001202	RR wheel alignment		
		22	M11-2919150	T1EKKK29191502751	Remove and reinstall RR UPR control arm rubber INR sleeve assy
				Ex: T1EKKK20000622751	Remove and reinstall RR UPR control arm assy
Ex: T1EKKK10000001202	RR wheel alignment				
T1EKKK29191502761	Remove and reinstall RR UPR control arm rubber INR sleeve assy				
Ex: T1EKKK20000622761	Remove and reinstall RR UPR control arm assy				
Ex: T1EKKK10000001202	RR wheel alignment				
23	202000062AA	T1EKKK20000622751	Remove and reinstall RR UPR control arm assy		
		Ex: T1EKKK10000001202	RR wheel alignment		
		T1EKKK20000622761	Remove and reinstall RR UPR control arm assy		
		Ex: T1EKKK10000001202	RR wheel alignment		
		24	M11-2919130	T1EKKK29191302751	Remove and reinstall RR UPR control arm rubber OTR sleeve assy
				Ex: T1EKKK20000622751	Remove and reinstall RR UPR control arm assy
Ex: T1EKKK10000001202	RR wheel alignment				
T1EKKK29191302761	Remove and reinstall RR UPR control arm rubber OTR sleeve assy				
Ex: T1EKKK20000622761	Remove and reinstall RR UPR control arm assy				
Ex: T1EKKK10000001202	RR wheel alignment				
25	202000232AA	T1EKKK20002322751	Remove and reinstall Tie rod assy LH		
		Ex: T1EKKK10000001202	RR wheel alignment		



T1E060024

No.	Part No.	Station No.	Station Name	
26	M11-2919470	T1EKKK29194702751	Remove and reinstall OTR sleeve assy - RR tie rod	
		Ex: T1EKKK20002322751	Remove and reinstall Tie rod assy LH	
		Ex: T1EKKK10000001202	RR wheel alignment	
		T1EKKK29194702761	Remove and reinstall OTR sleeve assy - RR tie rod	
		Ex: T1EKKK20002332751	Remove and reinstall Tie rod assy RH	
		Ex: T1EKKK10000001202	RR wheel alignment	
27	M11-2919460	T1EKKK29194602751	Remove and reinstall INR sleeve assy - RR tie rod	
		Ex: T1EKKK20002322751	Remove and reinstall Tie rod assy LH	
		Ex: T1EKKK10000001202	RR wheel alignment	
		T1EKKK29194602761	Remove and reinstall INR sleeve assy - RR tie rod	
		Ex: T1EKKK20002332751	Remove and reinstall Tie rod assy RH	
		Ex: T1EKKK10000001202	RR wheel alignment	
28	202000489AA	T1EKKK20004892751	Remove and reinstall RR towing arm assy LH	
		Ex: T1EKKK10000001202	RR wheel alignment	



T1E060030

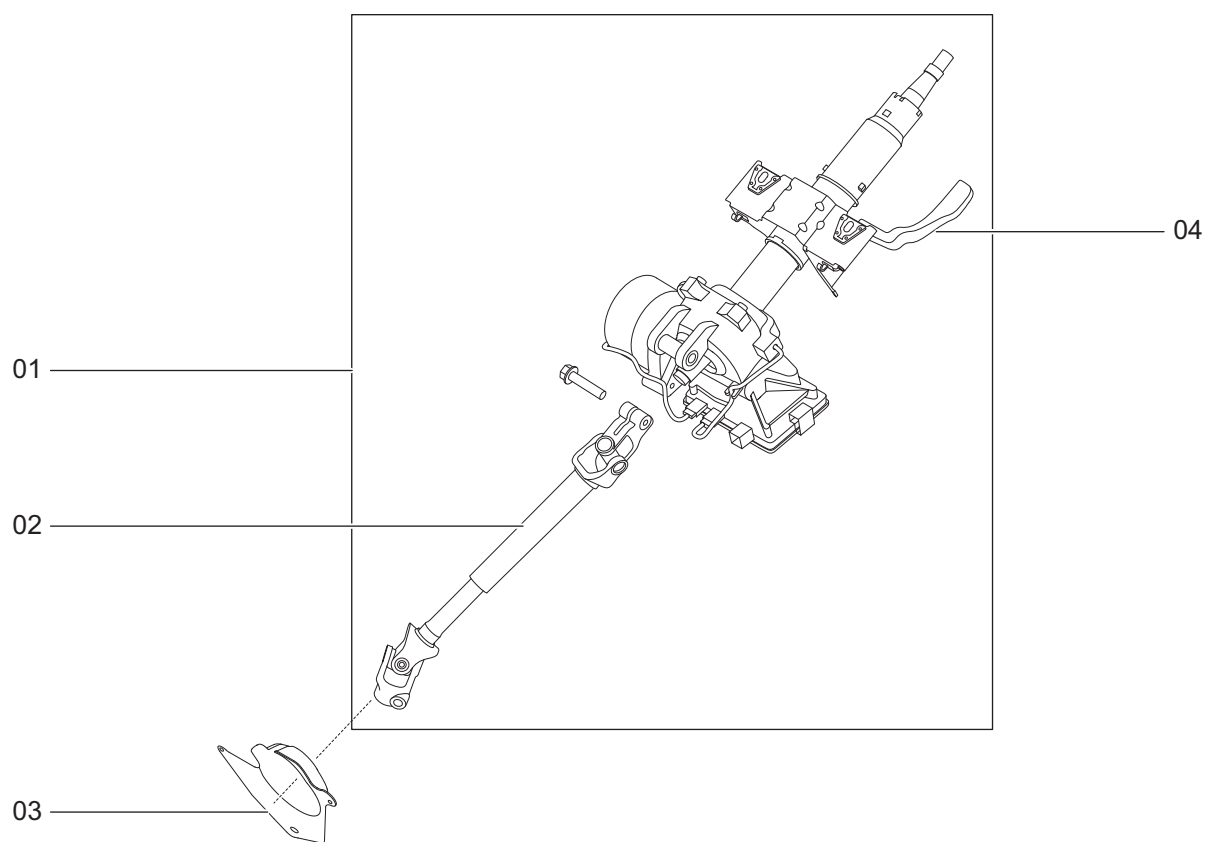


No.	Part No.	Station No.	Station Name	
01	T15-2810212	T1EKKK28102122701	Remove and reinstall Bracket RH	
02	T15-2801120	T1EKKK28011202751 Ex: T1EKKK20007462701	Remove and reinstall Side rail welding assy RH Remove and reinstall Engine LWR protector	
03	J42-3301010	T1EKKK33010102751 Ex: T1EKKK10000001202	Remove and reinstall RR sub frame welding assy RR wheel alignment	
04	T15-2810211	T1EKKK28102112701	Remove and reinstall Bracket LH	
05	T15-2810010	T1EKKK28100102751 Ex: T1EKKK10000001201	Remove and reinstall FR sub frame assy FR wheel alignment	
06	T15-2801110	T1EKKK28011102751 Ex: T1EKKK20007462701	Remove and reinstall Side rail welding assy LH Remove and reinstall Engine LWR protector	



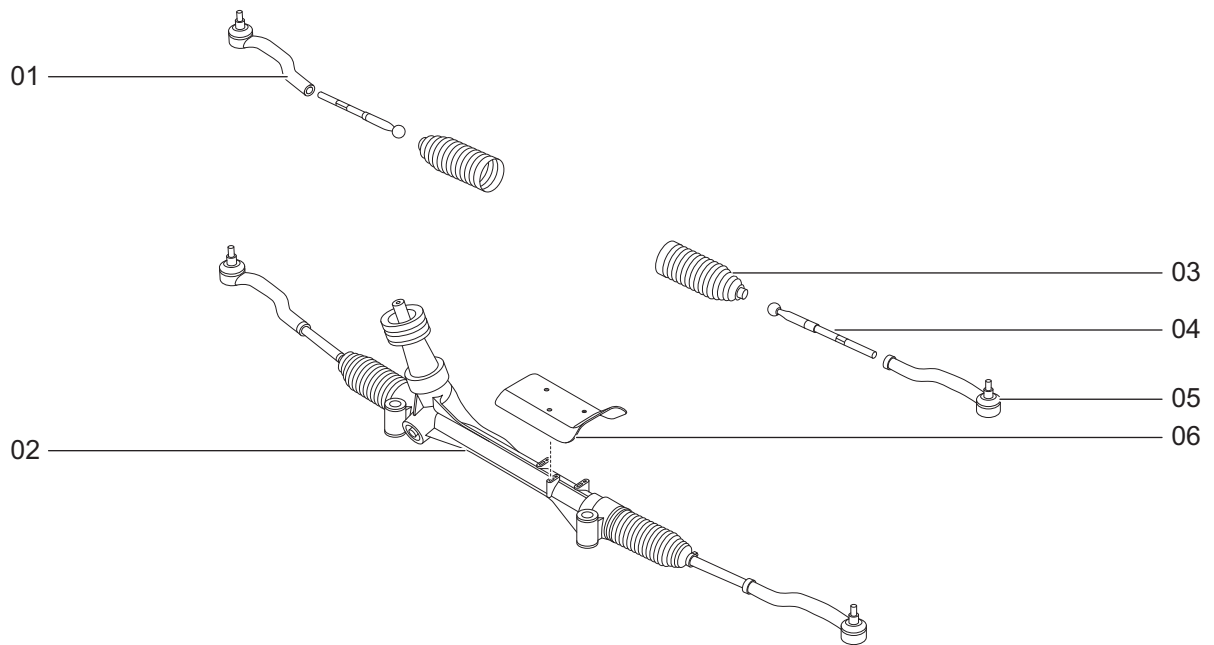
## STEERING-BRAKE SYSTEM

Steering column system.....	07-2
Steering gear .....	07-4
Brake line system (EPB).....	07-6
FR brake assy .....	07-8
RR brake assy.....	07-12
Brake control unit.....	07-16
Vacuum system diagram .....	07-18
Vehicle dynamic control system.....	07-20



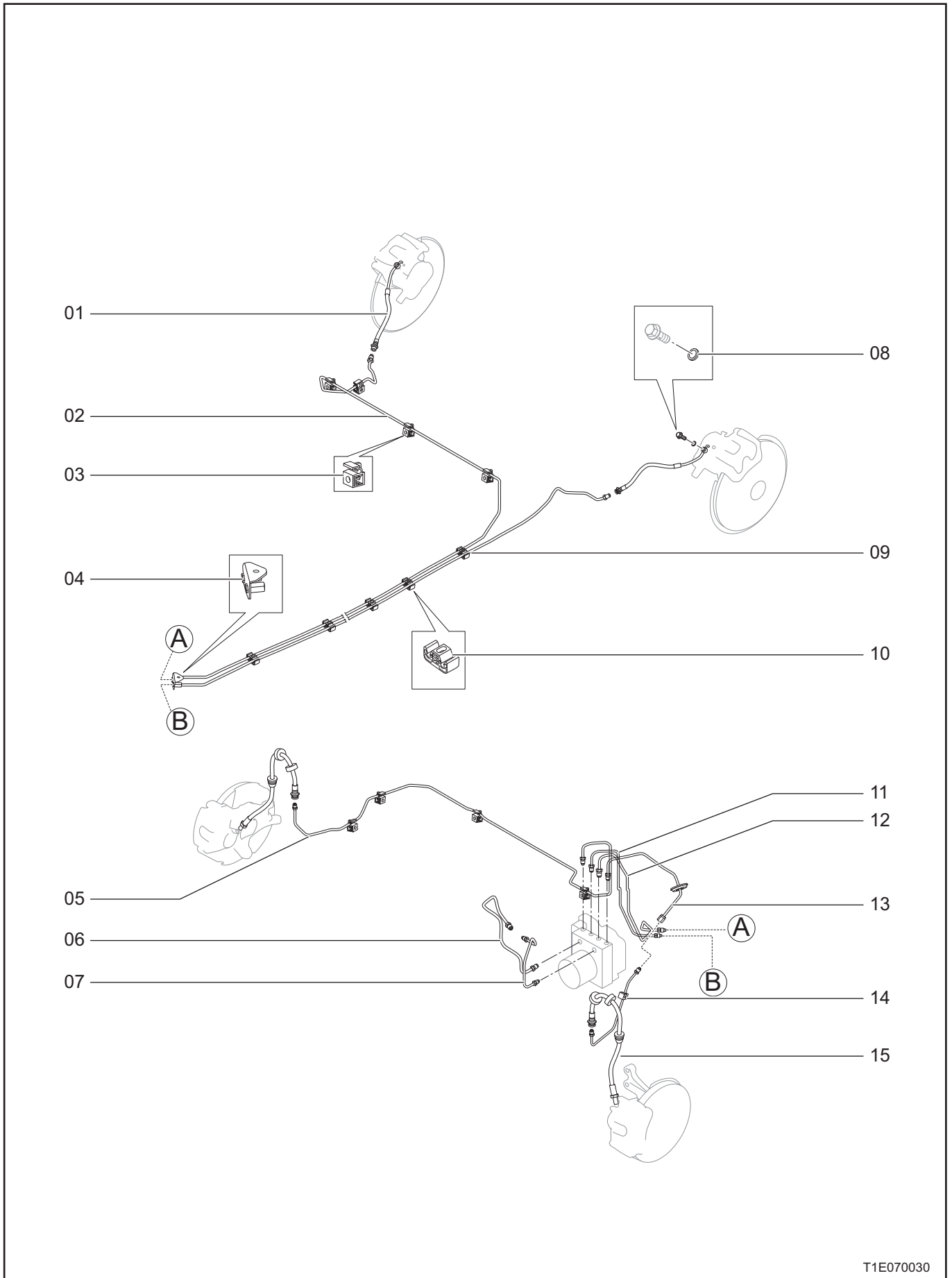
T1E070010

No.	Part No.	Station No.	Station Name
01	201000115AA	T1EKKK10001152751	Remove and reinstall Power steering column with intermediate shaft assy
		Ex: T1EKKK40002602751	Remove and reinstall Steering wheel assy
		Ex: T1EKKK70000982701	Remove and reinstall Driver airbag assy
02	201000015AA	T1EKKK10000152701	Remove and reinstall MD shaft assy
03	T15-3404060	T1EKKK34040602701	Remove and reinstall Steering LWR universal joint protective cover
04	201000172AA	T1EKKK10001722751	Remove and reinstall Power steering column assy
		Ex: T1EKKK10001152751	Remove and reinstall Power steering column with intermediate shaft assy
		Ex: T1EKKK40002602751	Remove and reinstall Steering wheel assy
		Ex: T1EKKK70000982701	Remove and reinstall Driver airbag assy



T1E070020

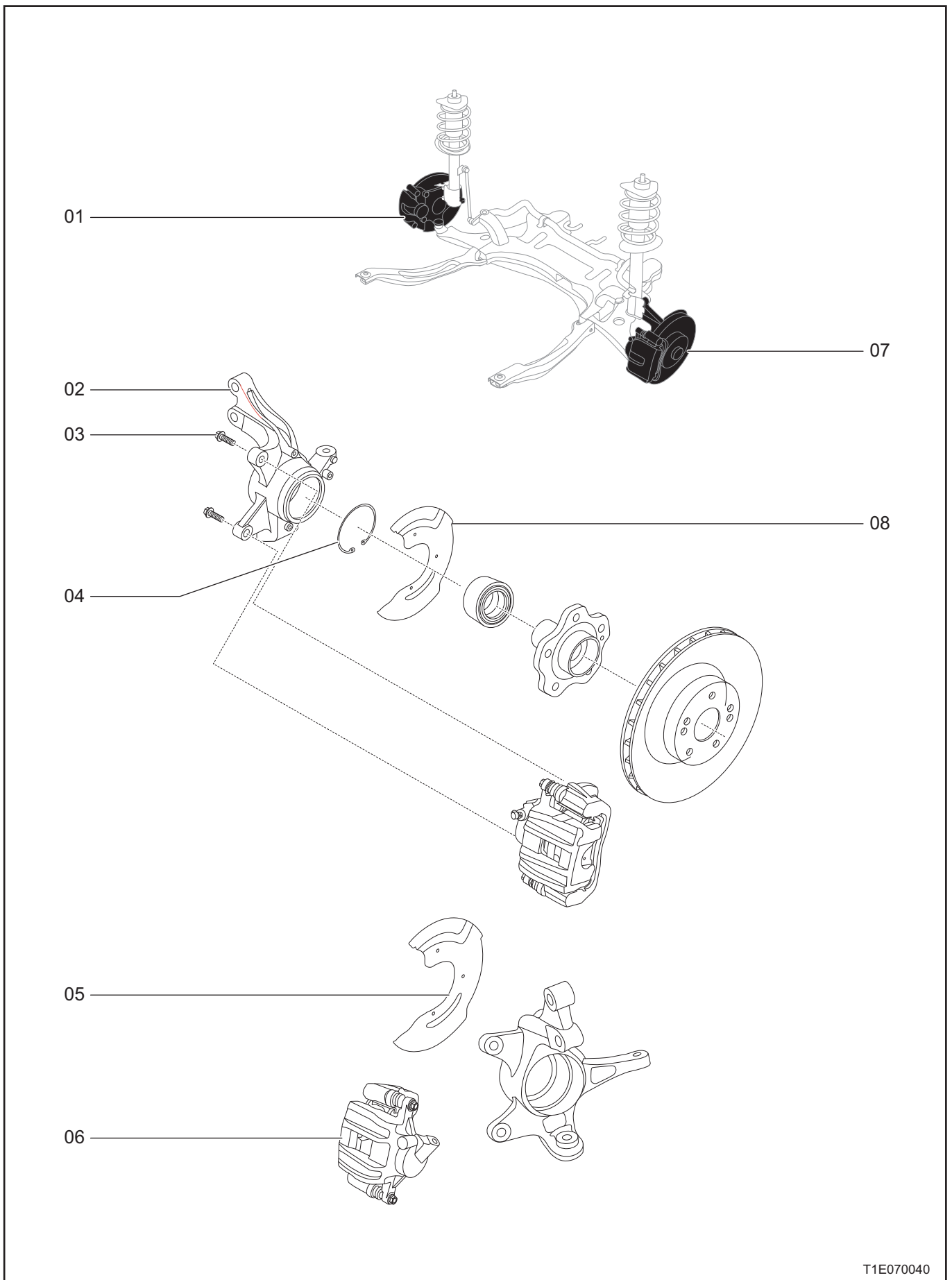
No.	Part No.	Station No.	Station Name	
01	201000103AA	T1EKKK10001032751	Remove and reinstall Outer ball pin assy LH	
		Ex: T1EKKK10000001201	FR wheel alignment	
02	201000058AA	T1EKKK10000582751	Remove and reinstall Mechanical steering gear with tie rod assy	
		Ex: T1EKKK10000001201	FR wheel alignment	
03	201000008AA	T1EKKK10000082751	Remove and reinstall Tie rod boot	
		Ex: T1EKKK10001032751	Remove and reinstall Outer ball pin assy LH	
		Ex: T1EKKK10000001201	FR wheel alignment	
		T1EKKK10000082761	Remove and reinstall Tie rod boot	
		Ex: T1EKKK10001042751	Remove and reinstall Outer ball pin assy RH	
		Ex: T1EKKK10000001201	FR wheel alignment	
04	201000005AA	T1EKKK10000052751	Remove and reinstall INR tie rod assy	
		Ex: T1EKKK10001032751	Remove and reinstall Outer ball pin assy LH	
		Ex: T1EKKK10000001201	FR wheel alignment	
		T1EKKK10000052761	Remove and reinstall INR tie rod assy	
		Ex: T1EKKK10001042751	Remove and reinstall Outer ball pin assy RH	
		Ex: T1EKKK10000001201	FR wheel alignment	
05	201000104AA	T1EKKK10001042751	Remove and reinstall Outer ball pin assy RH	
		Ex: T1EKKK10000001201	FR wheel alignment	
06	T15-3412010	T1EKKK34120102701	Remove and reinstall Steering mechanism heat insulation	



T1E070030

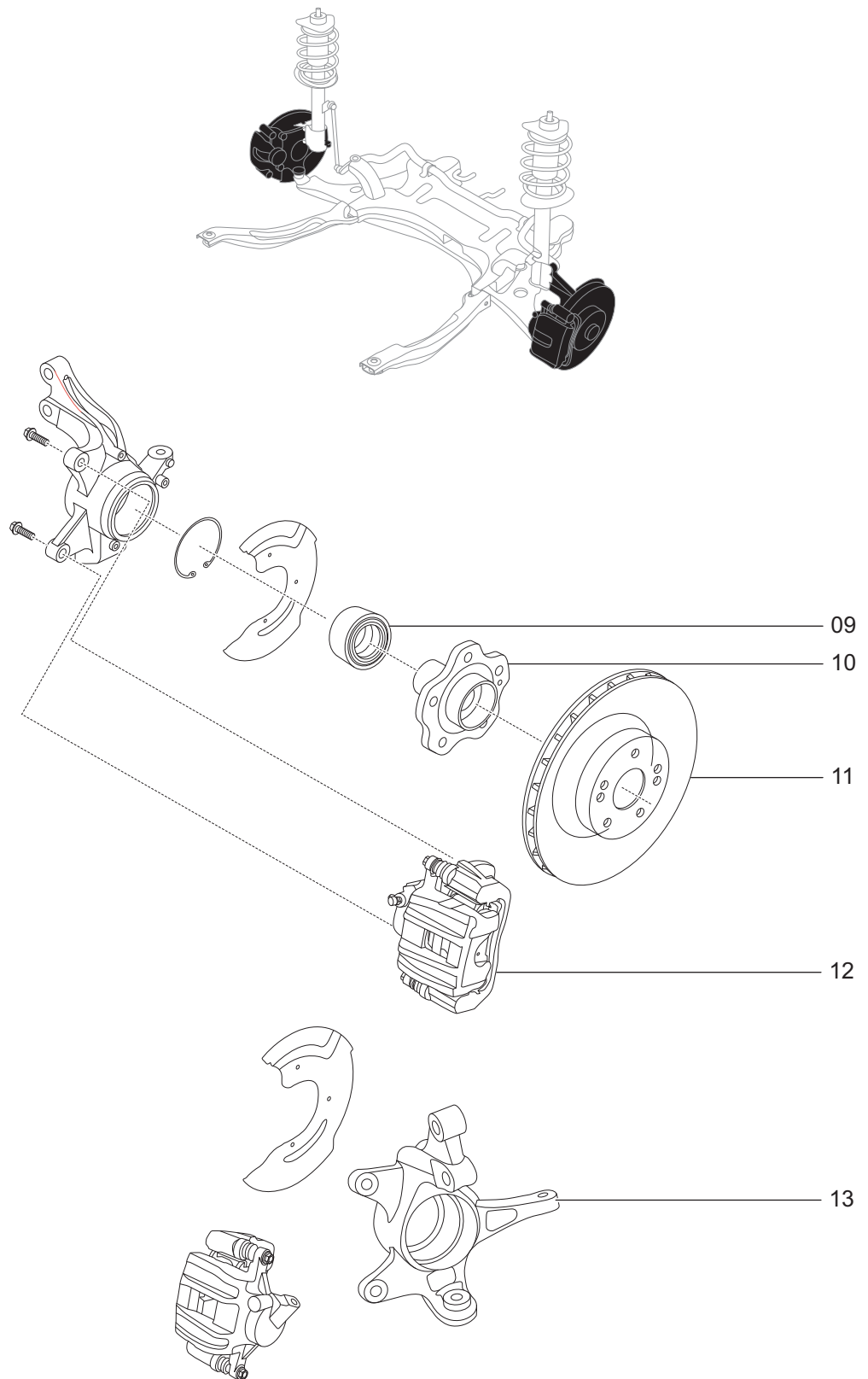


No.	Part No.	Station No.	Station Name	
01	T15-3506150EP	T1EKKK35061502751 Ex: T1EKKK47031112021	Remove and reinstall RR brake hose assy Drain and fill brake fluid	
02	204000411AA	T1EKKK40004112751 Ex: T1EKKK47031112021	Remove and reinstall RR brake pipe II assy RH Drain and fill brake fluid	
03	M11-3506023	T1EKKK35060232751 Ex: T1EKKK47031112021	Remove and reinstall Single pipe clip Drain and fill brake fluid	
04	J26-3506059	T1EKKK35060592751 Ex: T1EKKK47031112021	Remove and reinstall Joint Drain and fill brake fluid	
05	204000331AA	T1EKKK40003312751 Ex: T1EKKK47031112021	Remove and reinstall FR brake pipe assy RH Drain and fill brake fluid	
06	204000304AA	T1EKKK40003042751 Ex: T1EKKK47031112021	Remove and reinstall Master pump RR chamber hard pipe assy Drain and fill brake fluid	
07	204000303AA	T1EKKK40003032751 Ex: T1EKKK47031112021	Remove and reinstall Master pump FR chamber hard pipe assy Drain and fill brake fluid	
08	S11-3506212	T1EKKK35062122751 Ex: T1EKKK47031112021	Remove and reinstall RR brake hose washer Drain and fill brake fluid	
09	204000410AA	T1EKKK40004102751 Ex: T1EKKK47031112021	Remove and reinstall RR brake pipe II assy LH Drain and fill brake fluid	
10	T15-3506049	T1EKKK35060492701	Remove and reinstall Clip	
11	204000328AA	T1EKKK40003282751 Ex: T1EKKK47031112021	Remove and reinstall RR wheel brake pipe?assy LH Drain and fill brake fluid	
12	204000329AA	T1EKKK40003292751 Ex: T1EKKK47031112021	Remove and reinstall RR wheel brake pipe?assy RH Drain and fill brake fluid	
13	204000330AA	T1EKKK40003302751 Ex: T1EKKK47031112021	Remove and reinstall FR brake pipe I assy LH Drain and fill brake fluid	
14	204000375AA	T1EKKK40003752751 Ex: T1EKKK47031112021	Remove and reinstall FR brake pipe ? assy LH Drain and fill brake fluid	
15	T15-3506010	T1EKKK35060102751 Ex: T1EKKK47031112021	Remove and reinstall FR brake hose assy Drain and fill brake fluid	



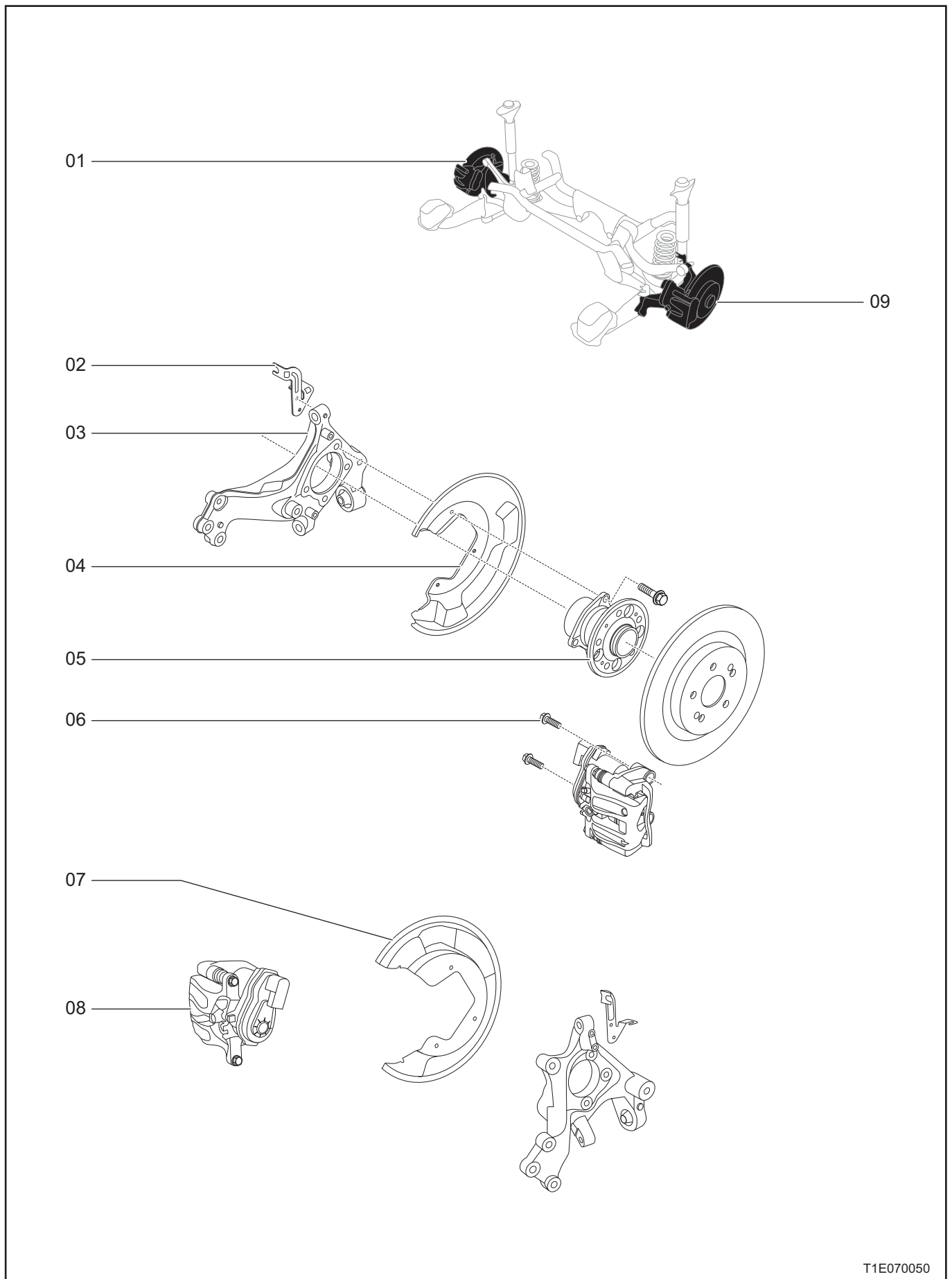
T1E070040

No.	Part No.	Station No.	Station Name	
01	204000625AA	T1EKKK40006252751	Remove and reinstall FR steering knuckle RH with disc brake assy	
		Ex: T1EKKK10000001201	FR wheel alignment	
		T1EKKK40006253651	Disassemble and reassemble FR steering knuckle RH with disc brake assy	
		Ex: T1EKKK40006252751	Remove and reinstall FR steering knuckle RH with disc brake assy	
		Ex: T1EKKK10000001201	FR wheel alignment	
02	204000675AA	T1EKKK40006752751	Remove and reinstall FR steering knuckle LH	
		Ex: T1EKKK40006243651	Disassemble and reassemble FR steering knuckle LH with disc brake assy	
		Ex: T1EKKK40006242751	Remove and reinstall FR steering knuckle LH with disc brake assy	
		Ex: T1EKKK10000001201	FR wheel alignment	
03	204000959AA	T1EKKK40009592751	Remove and reinstall FR brake caliper fixing bolt	
		Ex: T1EKKK00002222701	Remove and reinstall 1 Wheel assy	
		T1EKKK40009592761	Remove and reinstall FR brake caliper fixing bolt	
		Ex: T1EKKK00002222701	Remove and reinstall 1 Wheel assy	
04	204000456AA	T1EKKK40004562751	Remove and reinstall Snap ring	
		Ex: T1EKKK40006243651	Disassemble and reassemble FR steering knuckle LH with disc brake assy	
		Ex: T1EKKK40006242751	Remove and reinstall FR steering knuckle LH with disc brake assy	
		Ex: T1EKKK10000001201	FR wheel alignment	
05	204000452AA	T1EKKK40004522751	Remove and reinstall FR dustproof plate RH	
		Ex: T1EKKK40004532761	Remove and reinstall FR brake disc	
		Ex: T1EKKK40006782751	Remove and reinstall FR brake caliper RH assy	
		Ex: T1EKKK00002222701	Remove and reinstall 1 Wheel assy	
06	204000678AA	T1EKKK40006782751	Remove and reinstall FR brake caliper RH assy	
		Ex: T1EKKK00002222701	Remove and reinstall 1 Wheel assy	
07	204000624AA	T1EKKK40006242751	Remove and reinstall FR steering knuckle LH with disc brake assy	
		Ex: T1EKKK10000001201	FR wheel alignment	
		T1EKKK40006243651	Disassemble and reassemble FR steering knuckle LH with disc brake assy	
		Ex: T1EKKK40006242751	Remove and reinstall FR steering knuckle LH with disc brake assy	
		Ex: T1EKKK10000001201	FR wheel alignment	
08	204000451AA	T1EKKK40004512751	Remove and reinstall FR dustproof plate LH	
		Ex: T1EKKK40004532751	Remove and reinstall FR brake disc	
		Ex: T1EKKK40006772751	Remove and reinstall FR brake caliper assy LH	
		Ex: T1EKKK00002222701	Remove and reinstall 1 Wheel assy	



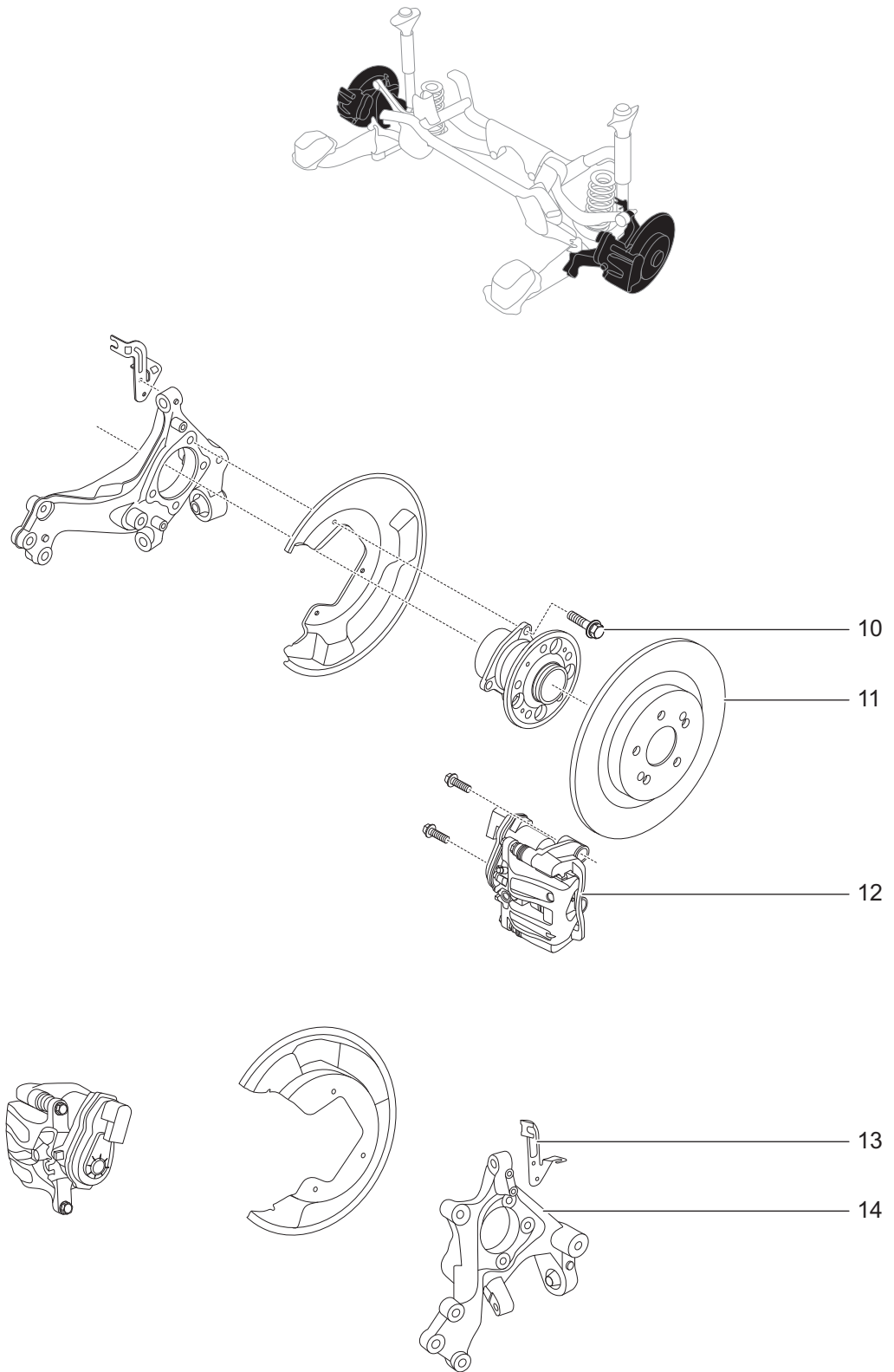
T1E070041

No.	Part No.	Station No.	Station Name	
09	204000116AA	T1EKKK40001162751	Remove and reinstall FR hub bearing	
		Ex: T1EKKK40006243651	Disassemble and reassemble FR steering knuckle LH with disc brake assy	
		Ex: T1EKKK40006242751	Remove and reinstall FR steering knuckle LH with disc brake assy	
		Ex: T1EKKK10000001201	FR wheel alignment	
		T1EKKK40001162761	Remove and reinstall FR hub bearing	
		Ex: T1EKKK40006253651	Disassemble and reassemble FR steering knuckle RH with disc brake assy	
		Ex: T1EKKK40006252751	Remove and reinstall FR steering knuckle RH with disc brake assy	
		Ex: T1EKKK10000001201	FR wheel alignment	
10	204000455AA	T1EKKK40004552751	Remove and reinstall FR hub	
		Ex: T1EKKK40006243651	Disassemble and reassemble FR steering knuckle LH with disc brake assy	
		Ex: T1EKKK40006242751	Remove and reinstall FR steering knuckle LH with disc brake assy	
		Ex: T1EKKK10000001201	FR wheel alignment	
		T1EKKK40004552761	Remove and reinstall FR hub	
		Ex: T1EKKK40006253651	Disassemble and reassemble FR steering knuckle RH with disc brake assy	
		Ex: T1EKKK40006252751	Remove and reinstall FR steering knuckle RH with disc brake assy	
		Ex: T1EKKK10000001201	FR wheel alignment	
11	204000453AA	T1EKKK40004532751	Remove and reinstall FR brake disc	
		Ex: T1EKKK40006772751	Remove and reinstall FR brake caliper assy LH	
		Ex: T1EKKK00002222701	Remove and reinstall 1 Wheel assy	
		T1EKKK40004532761	Remove and reinstall FR brake disc	
		Ex: T1EKKK40006782751	Remove and reinstall FR brake caliper RH assy	
		Ex: T1EKKK00002222701	Remove and reinstall 1 Wheel assy	
12	204000677AA	T1EKKK40006772751	Remove and reinstall FR brake caliper assy LH	
		Ex: T1EKKK00002222701	Remove and reinstall 1 Wheel assy	
13	204000676AA	T1EKKK40006762751	Remove and reinstall FR steering knuckle RH	
		Ex: T1EKKK40006253651	Disassemble and reassemble FR steering knuckle RH with disc brake assy	
		Ex: T1EKKK40006252751	Remove and reinstall FR steering knuckle RH with disc brake assy	
		Ex: T1EKKK10000001201	FR wheel alignment	



T1E070050

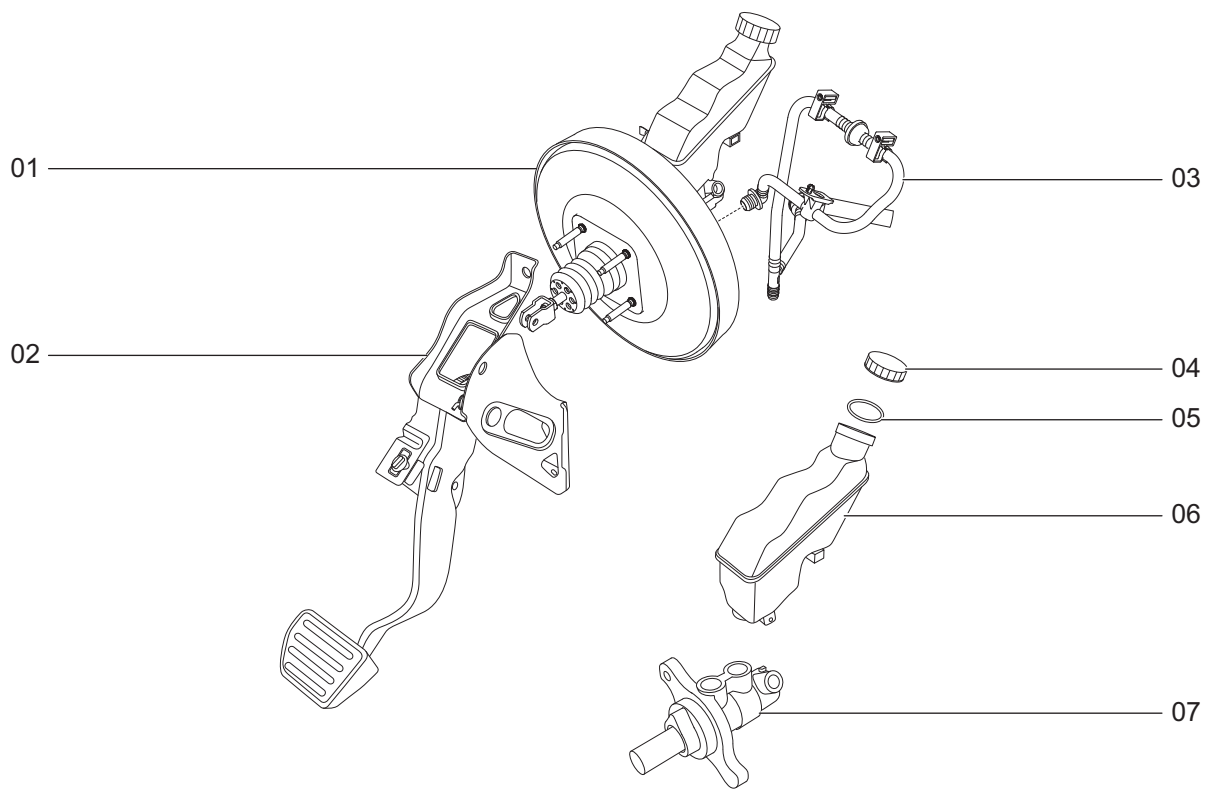
No.	Part No.	Station No.	Station Name	
01	204000627AA	T1EKKK40006272751	Remove and reinstall RR brake assy RH	
		Ex: T1EKKK10000001202	RR wheel alignment	
02	204000477AA	T1EKKK40004772751	Remove and reinstall RR wheel electronic caliper wire harness bracket LH	
		Ex: T1EKKK00002222701	Remove and reinstall 1 Wheel assy	
03	204000683AA	T1EKKK40006832751	Remove and reinstall RR steering knuckle LH	
		Ex: T1EKKK40006262751	Remove and reinstall RR brake assy LH	
		Ex: T1EKKK10000001202	RR wheel alignment	
04	204000475AA	T1EKKK40004752751	Remove and reinstall RR dustproof plate LH	
		Ex: T1EKKK40004792761	Remove and reinstall RR brake disc	
		Ex: T1EKKK40004742751	Remove and reinstall RR brake caliper assy RH	
		Ex: T1EKKK00002222701	Remove and reinstall 1 Wheel assy	
05	204000480AA	T1EKKK40004802751	Remove and reinstall RR hub bearing unit	
		Ex: T1EKKK40004792751	Remove and reinstall RR brake disc	
		Ex: T1EKKK40004732751	Remove and reinstall RR brake caliper assy LH	
		Ex: T1EKKK00002222701	Remove and reinstall 1 Wheel assy	
		T1EKKK40004802761	Remove and reinstall RR hub bearing unit	
		Ex: T1EKKK40004792761	Remove and reinstall RR brake disc	
06	204000960AA	T1EKKK40009602751	Remove and reinstall Rear brake caliper mounting bolt	
		Ex: T1EKKK30002062751	Remove and reinstall 1 Tire assy	
		Ex: T1EKKK00002222701	Remove and reinstall 1 Wheel assy	
		T1EKKK40009602761	Remove and reinstall Rear brake caliper mounting bolt	
07	204000476AA	T1EKKK40004762751	Remove and reinstall RR dustproof plate RH	
		Ex: T1EKKK40004792761	Remove and reinstall RR brake disc	
		Ex: T1EKKK40004742751	Remove and reinstall RR brake caliper assy RH	
		Ex: T1EKKK00002222701	Remove and reinstall 1 Wheel assy	
08	204000474AA	T1EKKK40004742751	Remove and reinstall RR brake caliper assy RH	
		Ex: T1EKKK00002222701	Remove and reinstall 1 Wheel assy	
09	204000626AA	T1EKKK40006262751	Remove and reinstall RR brake assy LH	
		Ex: T1EKKK10000001202	RR wheel alignment	



T1E070051

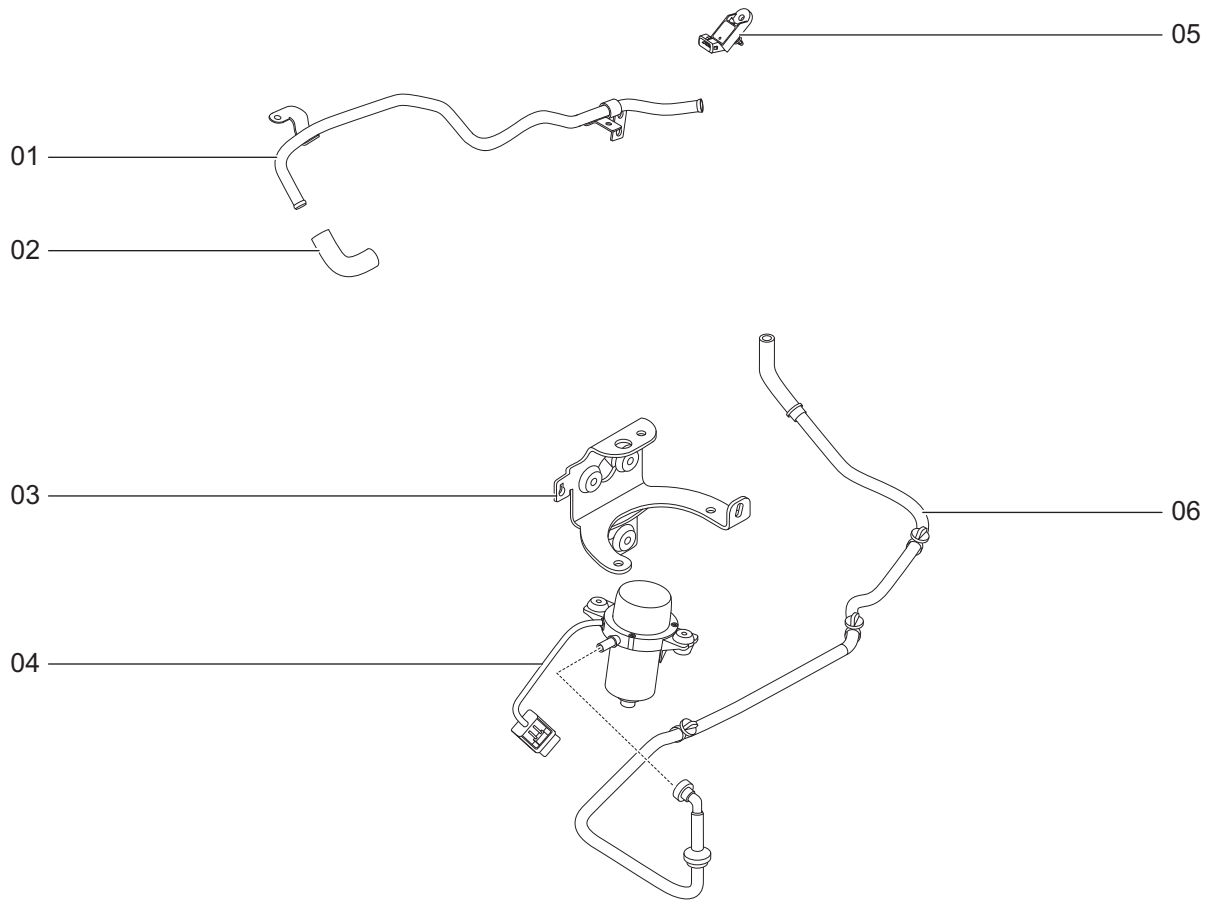


No.	Part No.	Station No.	Station Name	
10	204000482AA	T1EKKK40004822751	Remove and reinstall Hub bearing fixing bolt	
		Ex: T1EKKK40004792751	Remove and reinstall RR brake disc	
		Ex: T1EKKK40004732751	Remove and reinstall RR brake caliper assy LH	
		Ex: T1EKKK00002222701	Remove and reinstall 1 Wheel assy	
		T1EKKK40004822761	Remove and reinstall Hub bearing fixing bolt	
		Ex: T1EKKK40004792761	Remove and reinstall RR brake disc	
11	204000479AA	T1EKKK40004792751	Remove and reinstall RR brake disc	
		Ex: T1EKKK40004732751	Remove and reinstall RR brake caliper assy LH	
		Ex: T1EKKK00002222701	Remove and reinstall 1 Wheel assy	
		T1EKKK40004792761	Remove and reinstall RR brake disc	
		Ex: T1EKKK40004742751	Remove and reinstall RR brake caliper assy RH	
		Ex: T1EKKK00002222701	Remove and reinstall 1 Wheel assy	
12	204000473AA	T1EKKK40004732751	Remove and reinstall RR brake caliper assy LH	
		Ex: T1EKKK00002222701	Remove and reinstall 1 Wheel assy	
13	204000478AA	T1EKKK40004782751	Remove and reinstall RR wheel electronic caliper wire harness bracket RH	
		Ex: T1EKKK30002062751	Remove and reinstall 1 Tire assy	
		Ex: T1EKKK00002222701	Remove and reinstall 1 Wheel assy	
14	204000684AA	T1EKKK40006842751	Remove and reinstall RR steering knuckle RH	
		Ex: T1EKKK40006272751	Remove and reinstall RR brake assy RH	
		Ex: T1EKKK10000001202	RR wheel alignment	



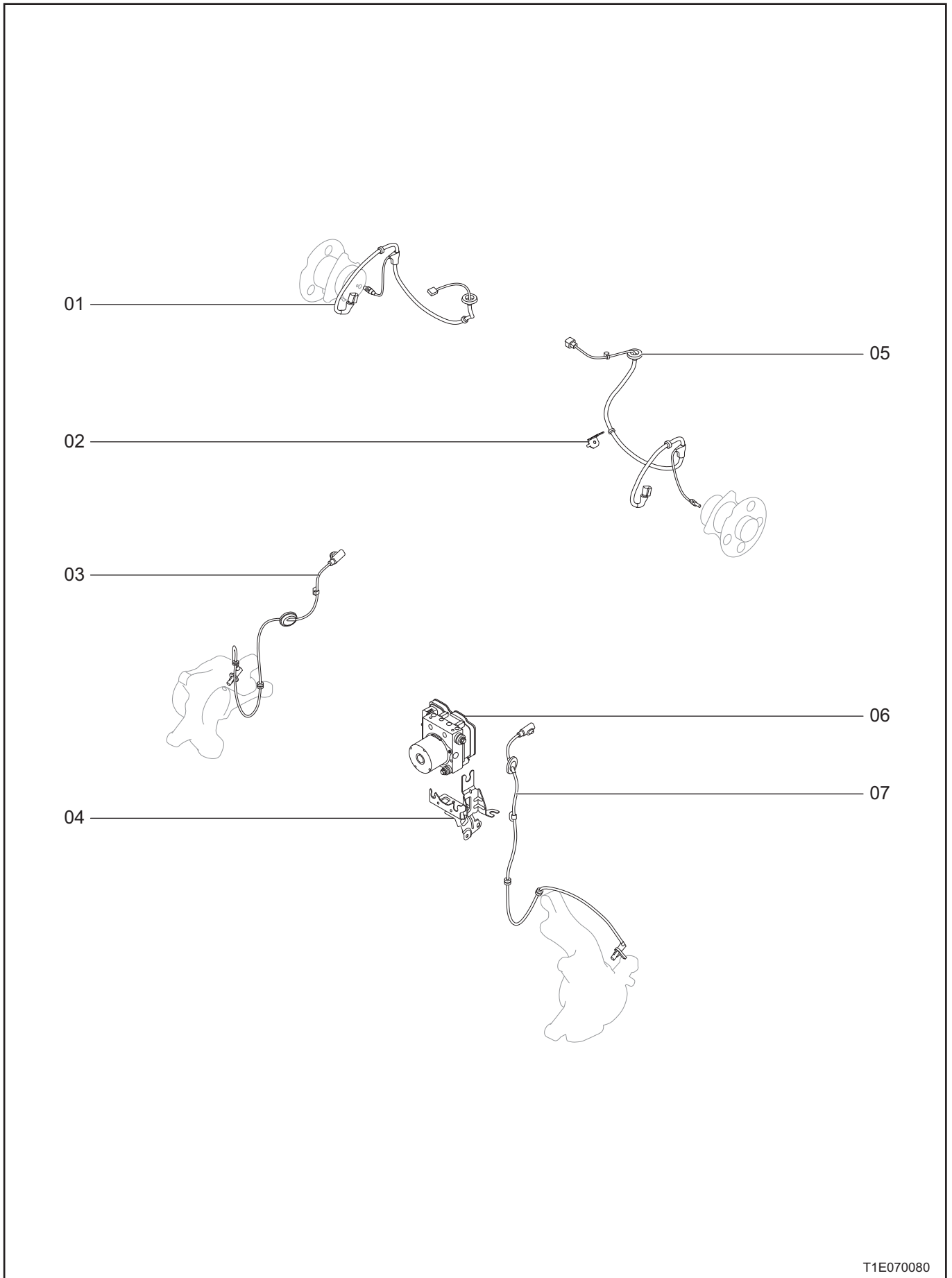
T1E070060

No.	Part No.	Station No.	Station Name
01	204000633AA	T1EKKK40006332751	Remove and reinstall Vacuum booster with master cylinder with reservoir assy
		Ex: T1EKKK35700102751	Remove and reinstall ESP controller assy
		Ex: T1EKKK47031112021	Drain and fill brake fluid
02	204000301AA	T1EKKK40003012701	Remove and reinstall Brake pedal mechanism assy
03	T15-3510110	T1EKKK35101102701	Remove and reinstall vacuum tube assy
04	204000696AA	T1EKKK40006962701	Remove and reinstall Fluid reservoir screw cap assy
05	204000697AA	T1EKKK40006972701	Remove and reinstall Sealing washer between brake master cylinder and vacuum booster
06	204000695AA	T1EKKK40006952751	Remove and reinstall Brake fluid reservoir
		Ex: T1EKKK47031112021	Drain and fill brake fluid
07	204000694AA	T1EKKK40006942751	Remove and reinstall Brake master cylinder assy
		Ex: T1EKKK40006952751	Remove and reinstall Brake fluid reservoir
		Ex: T1EKKK47031112021	Drain and fill brake fluid



T1E070070

No.	Part No.	Station No.	Station Name
01	E4T15B-3541013	T1EKKK35410132751	Remove and reinstall Metal vacuum tube
		Ex: T1EKKK11092102701	Remove and reinstall Intake hose assy
02	E4T15B-3541011	T1EKKK35410112701	Remove and reinstall Vacuum tube-intake manifold
03	159000043AA	T1EKKK90000432751	Remove and reinstall Vacuum pump bracket
		Ex: T1EKKK35411102751	Remove and reinstall Vacuum pump assy
		Ex: T1EKKK20006462751	Remove and reinstall FR wheel house protector assy LH
		Ex: T1EKKK90004992701	Remove and reinstall FR wheel arch trim assy LH
04	B21-3541110	T1EKKK35411102751	Remove and reinstall Vacuum pump assy
		Ex: T1EKKK20006462751	Remove and reinstall FR wheel house protector assy LH
		Ex: T1EKKK90004992701	Remove and reinstall FR wheel arch trim assy LH
05	B11-3611041	T1EKKK36110412701	Remove and reinstall Atmospheric pressure sensor
06	159000046AA	T1EKKK90000462701	Remove and reinstall Connecting pipe assy-vacuum pump



T1E070080

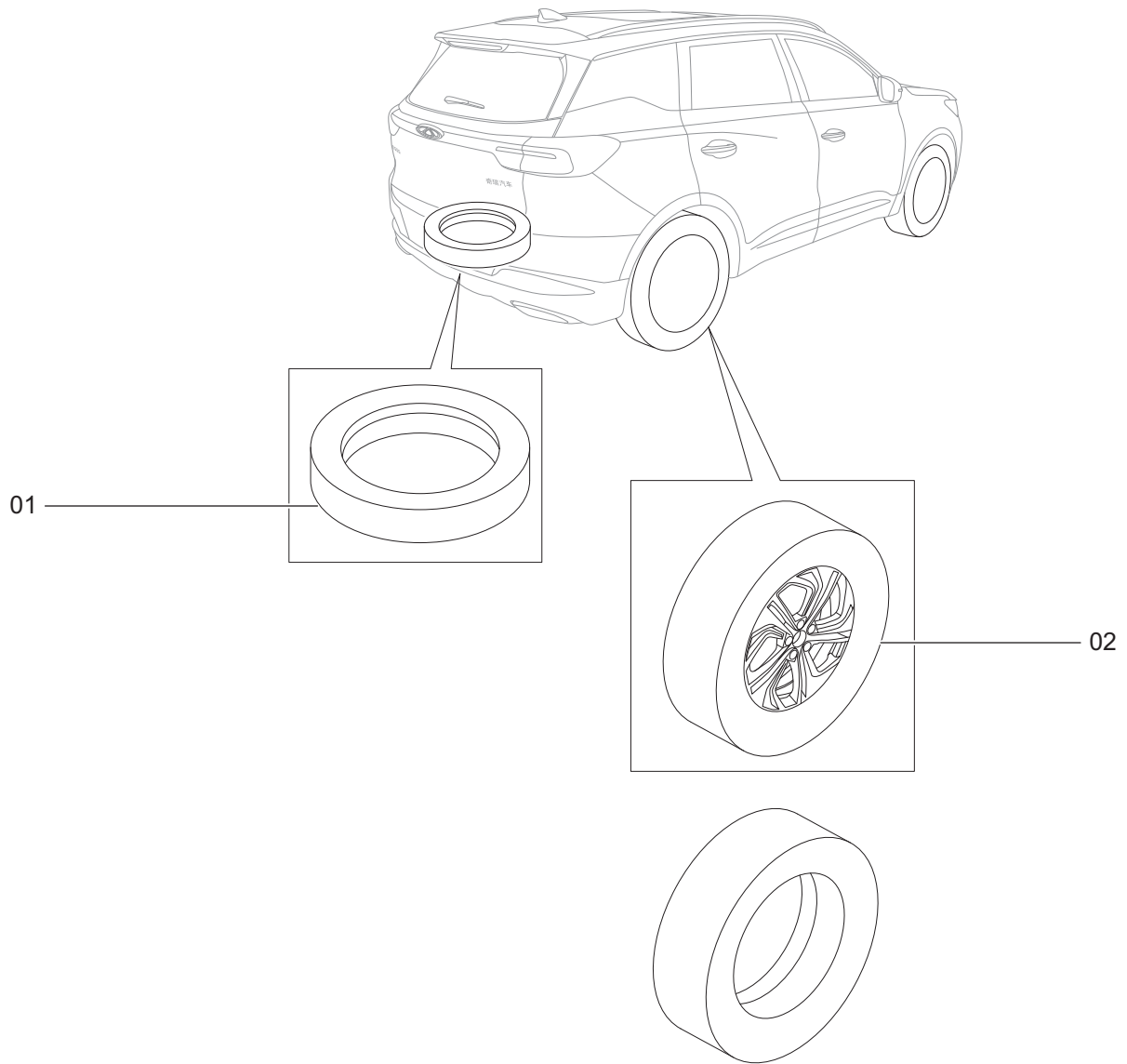
No.	Part No.	Station No.	Station Name	
01	207000070AA	T1EKKK70000702701	Remove and reinstall RR wheel speed sensor with caliper wire harness assy RH	
02	T15-3630051	T1EKKK36300512751 Ex: T1EKKK30002062751 Ex: T1EKKK00002222701	Remove and reinstall RR wheel speed sensor bracket assy Remove and reinstall 1 Tire assy Remove and reinstall 1 Wheel assy	
03	T15-3630040AE	T1EKKK36300402701	Remove and reinstall FR wheel speed assy RH	
04	207000048AA	T1EKKK70000482751 Ex: T1EKKK35700102751 Ex: T1EKKK47031112021	Remove and reinstall ESP bracket assy Remove and reinstall ESP controller assy Drain and fill brake fluid	
05	207000069AA	T1EKKK70000692701	Remove and reinstall RR wheel speed sensor with caliper wire harness assy LH	
06	T15-3570010AE	T1EKKK35700102751 Ex: T1EKKK47031112021	Remove and reinstall ESP controller assy Drain and fill brake fluid	
07	T15-3630030AE	T1EKKK36300302701	Remove and reinstall FR wheel speed assy LH	





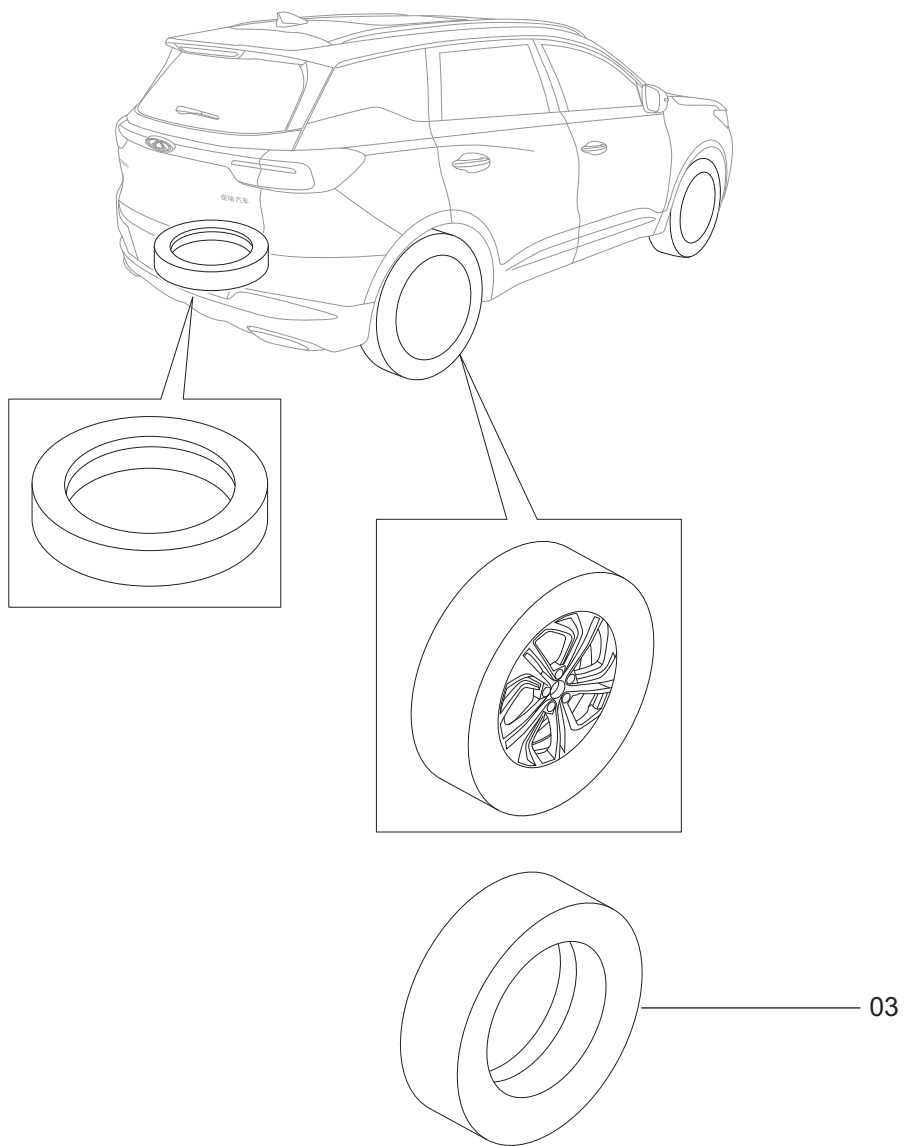
## TIRE - WHEEL

Tire.....	08-2
Wheel.....	08-6



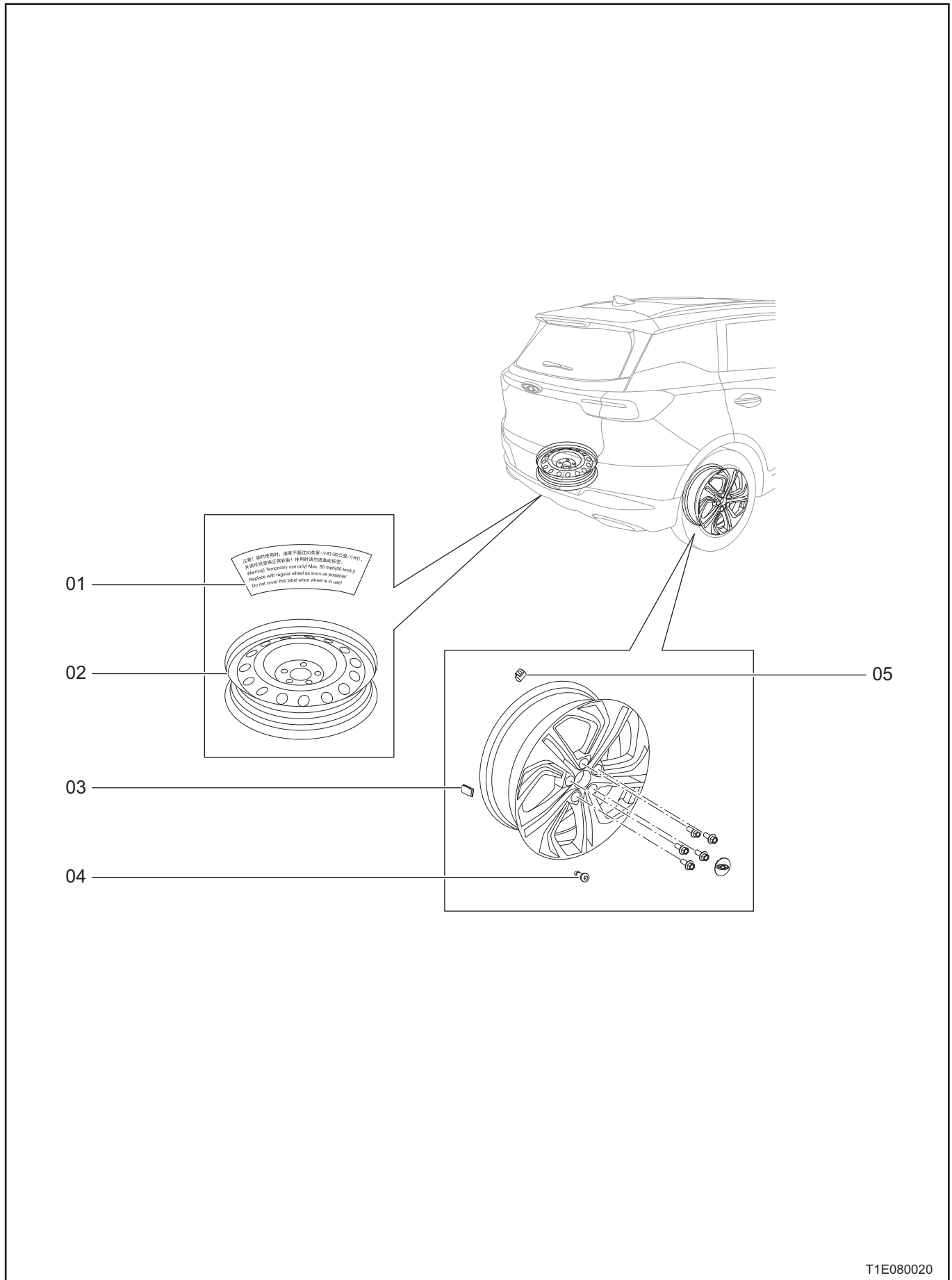
T1E080010

No.	Part No.	Station No.	Station Name	
01	T15-3106030	T1EKKK31060302701	Remove and reinstall Spare tire assy	
02	DPUB-2030000222-XAX	T1EKKK00002222701	Remove and reinstall 1 Wheel assy	
		T1EKKK00002222702	Remove and reinstall 2 Wheel assy	
		T1EKKK00002222703	Remove and reinstall 3 Wheel assy	
		T1EKKK00002222704	Remove and reinstall 4 Wheel assy	
		T1EKKK00002228051	Balance 1 Wheel assy	
		Ex: T1EKKK00002222701	Remove and reinstall 1 Wheel assy	
		T1EKKK00002228052	Balance 2 Wheel assy	
		Ex: T1EKKK00002222702	Remove and reinstall 2 Wheel assy	
		T1EKKK00002228053	Balance 3 Wheel assy	
		Ex: T1EKKK00002222703	Remove and reinstall 3 Wheel assy	
		T1EKKK00002228054	Balance 4 Wheel assy	
		Ex: T1EKKK00002222704	Remove and reinstall 4 Wheel assy	



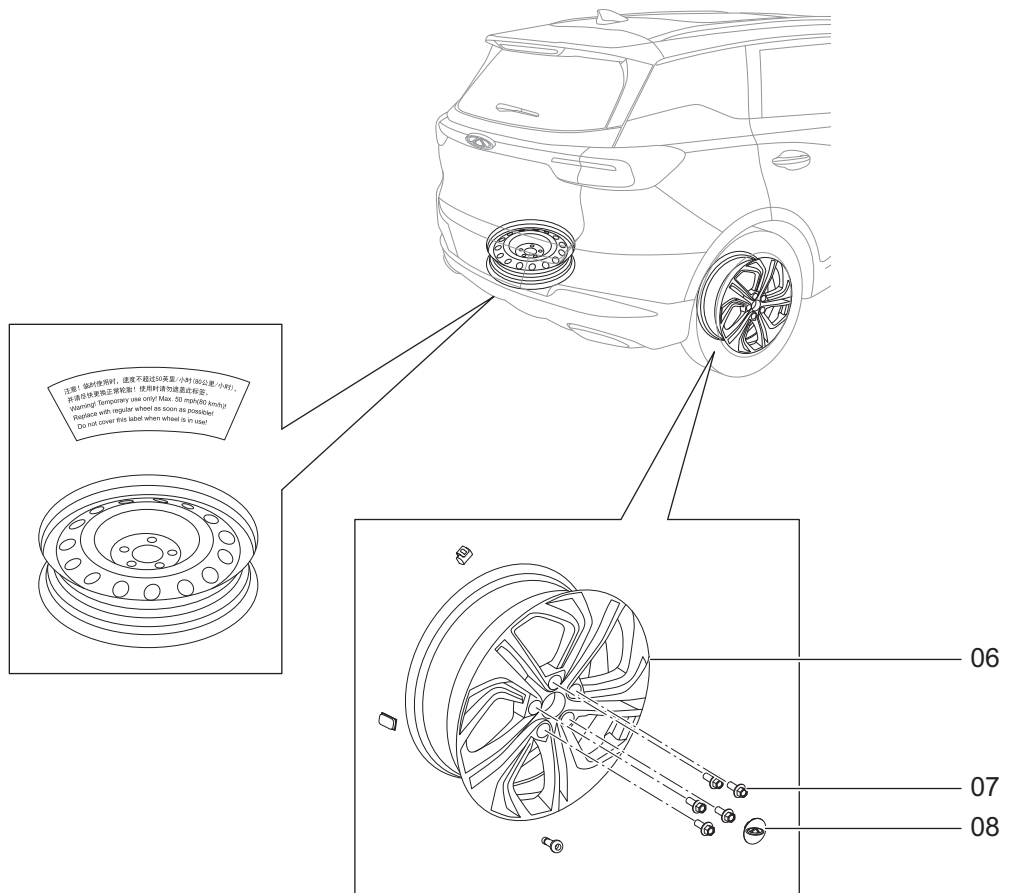
T1E080011

No.	Part No.	Station No.	Station Name		
03	203000206AA	T1EKKK30002062751	Remove and reinstall 1 Tire assy		
		Ex: T1EKKK00002222701	Remove and reinstall 1 Wheel assy		
		T1EKKK30002062752	Remove and reinstall 2 Tire assy		
		Ex: T1EKKK00002222702	Remove and reinstall 2 Wheel assy		
		T1EKKK30002062753	Remove and reinstall 3 Tire assy		
		Ex: T1EKKK00002222703	Remove and reinstall 3 Wheel assy		
	T21-3106010AF	T1EKKK31060102751	Remove and reinstall 1 Driving tire		
		Ex: T1EKKK00002222701	Remove and reinstall 1 Wheel assy		
		T1EKKK31060102752	Remove and reinstall 2 Driving tire		
		Ex: T1EKKK00002222702	Remove and reinstall 2 Wheel assy		
		T1EKKK31060102753	Remove and reinstall 3 Driving tire		
		Ex: T1EKKK00002222703	Remove and reinstall 3 Wheel assy		
	203000012AA	T1EKKK30000122751	Remove and reinstall 1 Driving tire		
		Ex: T1EKKK00002222701	Remove and reinstall 1 Wheel assy		
		T1EKKK30000122752	Remove and reinstall 2 Driving tire		
		Ex: T1EKKK00002222702	Remove and reinstall 2 Wheel assy		
		T1EKKK30000122753	Remove and reinstall 3 Driving tire		
		Ex: T1EKKK00002222703	Remove and reinstall 3 Wheel assy		
			T1EKKK30000122754	Remove and reinstall 4 Driving tire	
			Ex: T1EKKK00002222704	Remove and reinstall 4 Wheel assy	



T1E080020

No.	Part No.	Station No.	Station Name	
01	J42-3903032	T1EKKK39030322701	Remove and reinstall Spare?tire?warning?emblem	
02	T15-3101030	T1EKKK31010302701	Remove and reinstall Spare steel rim assy	
03	B21-3100217	T1EKKK31002172761	Remove and reinstall Paste type balance block (5g)	
		Ex: T1EKKK00002228051	Balance 1 Wheel assy	
		Ex: T1EKKK00002222701	Remove and reinstall 1 Wheel assy	
04	A11-3100117	T1EKKK31001172751	Remove and reinstall Snap-in valve	
		Ex: T1EKKK30002042751	Remove and reinstall Aluminum wheel	
		Ex: T1EKKK30002062751	Remove and reinstall 1 Tire assy	
		Ex: T1EKKK00002222701	Remove and reinstall 1 Wheel assy	
		T1EKKK31001172752	Remove and reinstall Snap-in valve	
		Ex: T1EKKK30002042752	Remove and reinstall Aluminum wheel	
		Ex: T1EKKK30002062752	Remove and reinstall 2 Tire assy	
		Ex: T1EKKK00002222702	Remove and reinstall 2 Wheel assy	
		T1EKKK31001172753	Remove and reinstall Snap-in valve	
		Ex: T1EKKK30002042753	Remove and reinstall Aluminum wheel	
		Ex: T1EKKK30002062753	Remove and reinstall 3 Tire assy	
		Ex: T1EKKK00002222703	Remove and reinstall 3 Wheel assy	
		T1EKKK31001172754	Remove and reinstall Snap-in valve	
		Ex: T1EKKK30002042754	Remove and reinstall Aluminum wheel	
		Ex: T1EKKK30002062754	Remove and reinstall 4 Tire assy	
		Ex: T1EKKK00002222704	Remove and reinstall 4 Wheel assy	
05	M12-3100217BA	T1EKKK31002172751	Remove and reinstall 1 Clamp type balance weight (aluminum wheel)	
		Ex: T1EKKK00002228051	Balance 1 Wheel assy	
		Ex: T1EKKK00002222701	Remove and reinstall 1 Wheel assy	
		T1EKKK31002172752	Remove and reinstall 2 Clamp type balance weight (aluminum wheel)	
		Ex: T1EKKK00002228052	Balance 2 Wheel assy	
		Ex: T1EKKK00002222702	Remove and reinstall 2 Wheel assy	
		T1EKKK31002172753	Remove and reinstall 3 Clamp type balance weight (aluminum wheel)	
		Ex: T1EKKK00002228053	Balance 3 Wheel assy	
		Ex: T1EKKK00002222703	Remove and reinstall 3 Wheel assy	
		T1EKKK31002172754	Remove and reinstall 4 Clamp type balance weight (aluminum wheel)	
		Ex: T1EKKK00002228054	Balance 4 Wheel assy	
		Ex: T1EKKK00002222704	Remove and reinstall 4 Wheel assy	



T1E080021

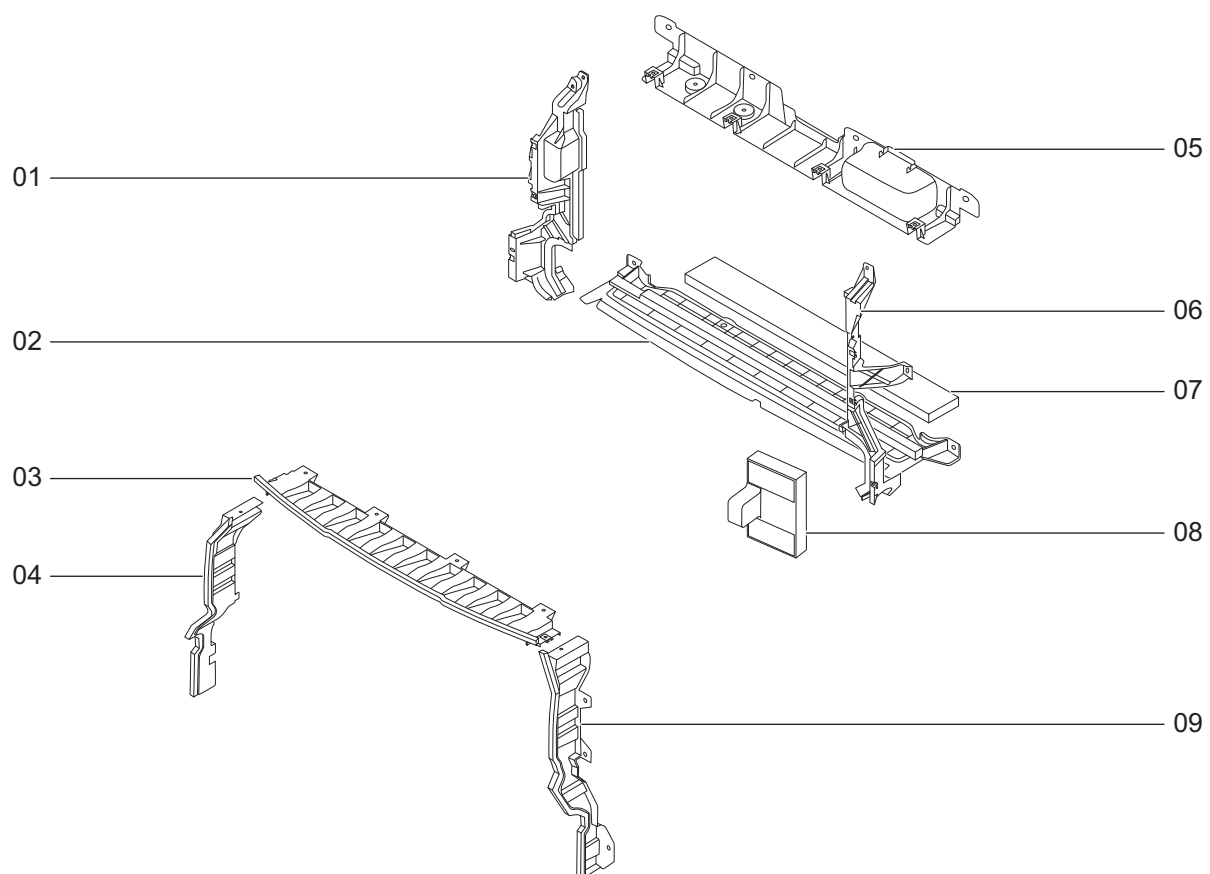


No.	Part No.	Station No.	Station Name	
06	203000204AA	T1EKKK30002042751	Remove and reinstall Aluminum wheel	
		Ex: T1EKKK30002062751	Remove and reinstall 1 Tire assy	
		Ex: T1EKKK00002222701	Remove and reinstall 1 Wheel assy	
		T1EKKK30002042752	Remove and reinstall Aluminum wheel	
		Ex: T1EKKK30002062752	Remove and reinstall 2 Tire assy	
		Ex: T1EKKK00002222702	Remove and reinstall 2 Wheel assy	
		T1EKKK30002042753	Remove and reinstall Aluminum wheel	
		Ex: T1EKKK30002062753	Remove and reinstall 3 Tire assy	
	Ex: T1EKKK00002222703	Remove and reinstall 3 Wheel assy		
	T1EKKK30002042754	Remove and reinstall Aluminum wheel		
	Ex: T1EKKK30002062754	Remove and reinstall 4 Tire assy		
	Ex: T1EKKK00002222704	Remove and reinstall 4 Wheel assy		
	203000178AA	T1EKKK30001782751	Remove and reinstall Aluminum wheel	
		Ex: T1EKKK30002062751	Remove and reinstall 1 Tire assy	
		Ex: T1EKKK00002222701	Remove and reinstall 1 Wheel assy	
		T1EKKK30001782752	Remove and reinstall Aluminum wheel	
Ex: T1EKKK30002062752		Remove and reinstall 2 Tire assy		
Ex: T1EKKK00002222702		Remove and reinstall 2 Wheel assy		
T1EKKK30001782753		Remove and reinstall Aluminum wheel		
Ex: T1EKKK30002062753		Remove and reinstall 3 Tire assy		
Ex: T1EKKK00002222703	Remove and reinstall 3 Wheel assy			
T1EKKK30001782754	Remove and reinstall Aluminum wheel			
Ex: T1EKKK30002062754	Remove and reinstall 4 Tire assy			
Ex: T1EKKK00002222704	Remove and reinstall 4 Wheel assy			
07	FQ1A01228TF61	T1EKKK1A012282701	Remove and reinstall Wheel bolt M12X1.5X28.5	
08	203000111AA	T1EKKK30001112701	Remove and reinstall 1 Aluminum wheel trim cover	
		T1EKKK30001112702	Remove and reinstall 2 Aluminum wheel trim cover	
		T1EKKK30001112703	Remove and reinstall 3 Aluminum wheel trim cover	
		T1EKKK30001112704	Remove and reinstall 4 Aluminum wheel trim cover	



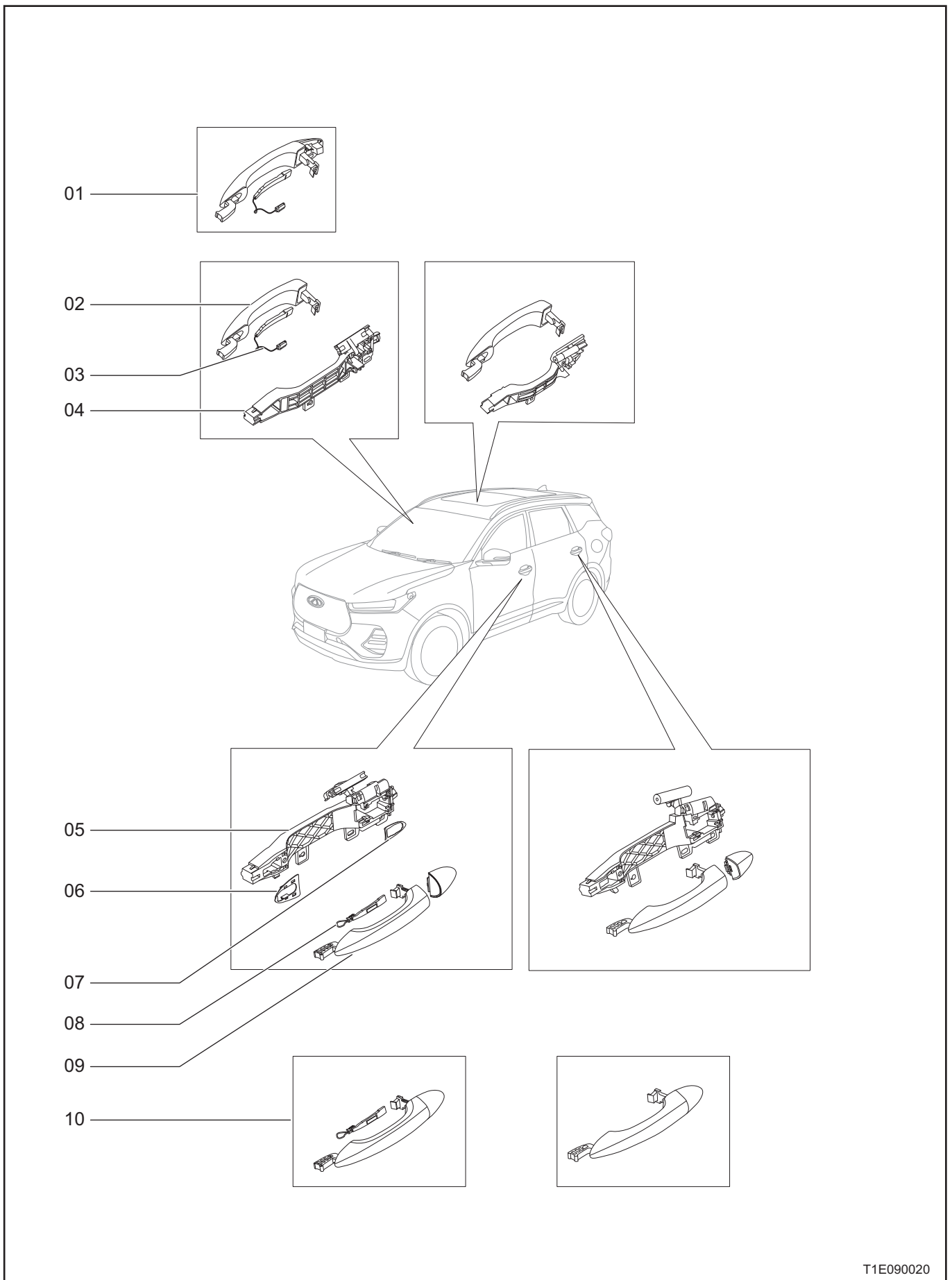
## BODY EXTERIOR

Ventilation system.....	09-2
OTR handle assy .....	09-4
Damping system.....	09-8
Door lock system .....	09-10
Support system .....	09-14
Engine hood lock system .....	09-16
Glass assy.....	09-18
Exterior mirror system.....	09-20
FR bumper assy .....	09-22
RR bumper assy .....	09-28
Wheel house protector .....	09-32
Grille .....	09-34
Sunroof.....	09-36
Side door trim .....	09-38
Wheel arch protector .....	09-40
FR windshield LWR trim panel .....	09-42
Luggage rack, spoiler .....	09-44
Name plate system.....	09-46
Tail trim.....	09-48
Side trim decoration.....	09-50
FR end trim strip.....	09-52
Body accessory assy.....	09-54



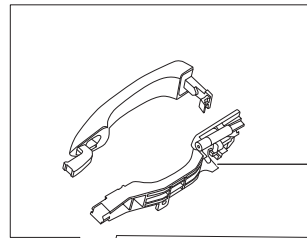
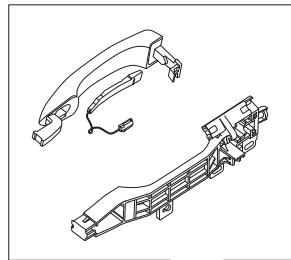
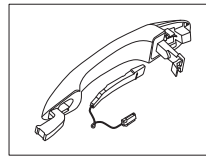
T1E090010

No.	Part No.	Station No.	Station Name	
01	302000476AA	T1EKKK20004762751	Remove and reinstall Air guide panel RH	
		Ex: T1EKKK20005862701	Remove and reinstall FR bumper body assy	
02	302000183AA	T1EKKK20001832751	Remove and reinstall Lower air guide panel assy	
		Ex: T1EKKK20005862701	Remove and reinstall FR bumper body assy	
03	602001348AA	T1EKKK20013482751	Remove and reinstall FR UPR air guide panel	
		Ex: T1EKKK20005862701	Remove and reinstall FR bumper body assy	
	602001000AA	T1EKKK20010002751	Remove and reinstall FR UPR air guide panel	
		Ex: T1EKKK20005862701	Remove and reinstall FR bumper body assy	
04	602001002AA	T1EKKK20010022751	Remove and reinstall FR Air guide trim panel RH	
		Ex: T1EKKK20005862701	Remove and reinstall FR bumper body assy	
	602001350AA	T1EKKK20013502751	Remove and reinstall FR Air guide trim panel RH	
		Ex: T1EKKK20005862701	Remove and reinstall FR bumper body assy	
05	302000653AA	T1EKKK20006532751	Remove and reinstall UPR air guide panel assy	
		Ex: T1EKKK20005862701	Remove and reinstall FR bumper body assy	
06	302000475AA	T1EKKK20004752751	Remove and reinstall Air guide panel LH	
		Ex: T1EKKK20005862701	Remove and reinstall FR bumper body assy	
07	302000262AA	T1EKKK20002622751	Remove and reinstall Radiator sponge strip LWR	
		Ex: T1EKKK20005862701	Remove and reinstall FR bumper body assy	
08	602000192AA	T1EKKK20001922751	Remove and reinstall Anti-collision crossbeam sponge block LH	
		Ex: T1EKKK20005862701	Remove and reinstall FR bumper body assy	
09	602001349AA	T1EKKK20013492751	Remove and reinstall FR Air guide trim panel LH	
		Ex: T1EKKK20005862701	Remove and reinstall FR bumper body assy	
	602001001AA	T1EKKK20010012751	Remove and reinstall FR Air guide trim panel LH	
		Ex: T1EKKK20005862701	Remove and reinstall FR bumper body assy	

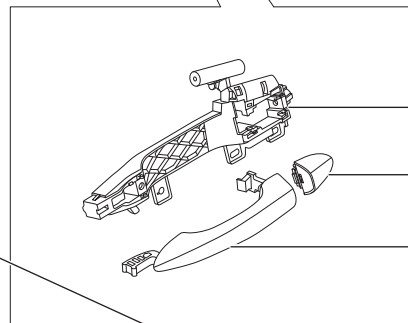
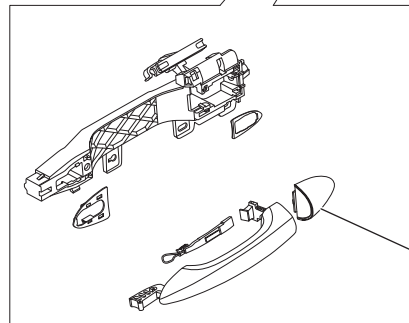
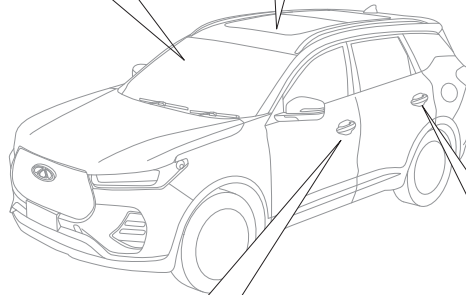


T1E090020

No.	Part No.	Station No.	Station Name	
01	403001313AA	T1EKKK30013132751	Remove and reinstall FR door OTR handle assy RH	
		Ex: T1EKKK30028002701	Remove and reinstall FR door protector with switch assy RH	
02	403001707AA-DQ	T1EKKK30017079201	Paint FR door OTR handle RH	
		T1EKKK30017072751 Ex: T1EKKK30028002701	Remove and reinstall FR door OTR handle RH Remove and reinstall FR door protector with switch assy RH	
03	804000045AA	T1EKKK40000452751	Remove and reinstall FR antenna RH	
		Ex: T1EKKK30028002701	Remove and reinstall FR door protector with switch assy RH	
04	403002048AA	T1EKKK30020482751	Remove and reinstall FR door outside handle seat assy RH	
		Ex: T1EKKK30028002701	Remove and reinstall FR door protector with switch assy RH	
05	403002047AA	T1EKKK30020472751	Remove and reinstall FR door OTR handle seat assy LH	
		Ex: T1EKKK30027992701	Remove and reinstall FR door protector with switch assy LH	
06	J60-6105229	T1EKKK61052292751	Remove and reinstall OTR handle end gasket	
		Ex: T1EKKK30013122751	Remove and reinstall FR door OTR handle assy LH	
		Ex: T1EKKK30027992701	Remove and reinstall FR door protector with switch assy LH	
07	J60-6105225	T1EKKK61052252751	Remove and reinstall OTR handle FR gasket	
		Ex: T1EKKK30013122751	Remove and reinstall FR door OTR handle assy LH	
		Ex: T1EKKK30027992701	Remove and reinstall FR door protector with switch assy LH	
08	804000044AA	T1EKKK40000442751	Remove and reinstall FR antenna LH	
		Ex: T1EKKK30027992701	Remove and reinstall FR door protector with switch assy LH	
09	403001315AA-DQ	T1EKKK30013152751	Remove and reinstall FR door OTR handle LH	
		Ex: T1EKKK30027992701	Remove and reinstall FR door protector with switch assy LH	
		T1EKKK30013159201	Paint FR door OTR handle LH	
10	403001312AA	T1EKKK30013122751	Remove and reinstall FR door OTR handle assy LH	
		Ex: T1EKKK30027992701	Remove and reinstall FR door protector with switch assy LH	



11

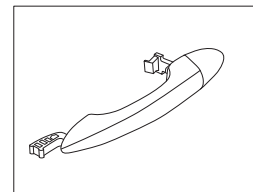
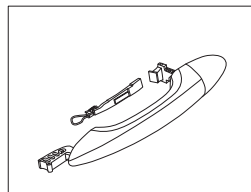


12

13

14

15

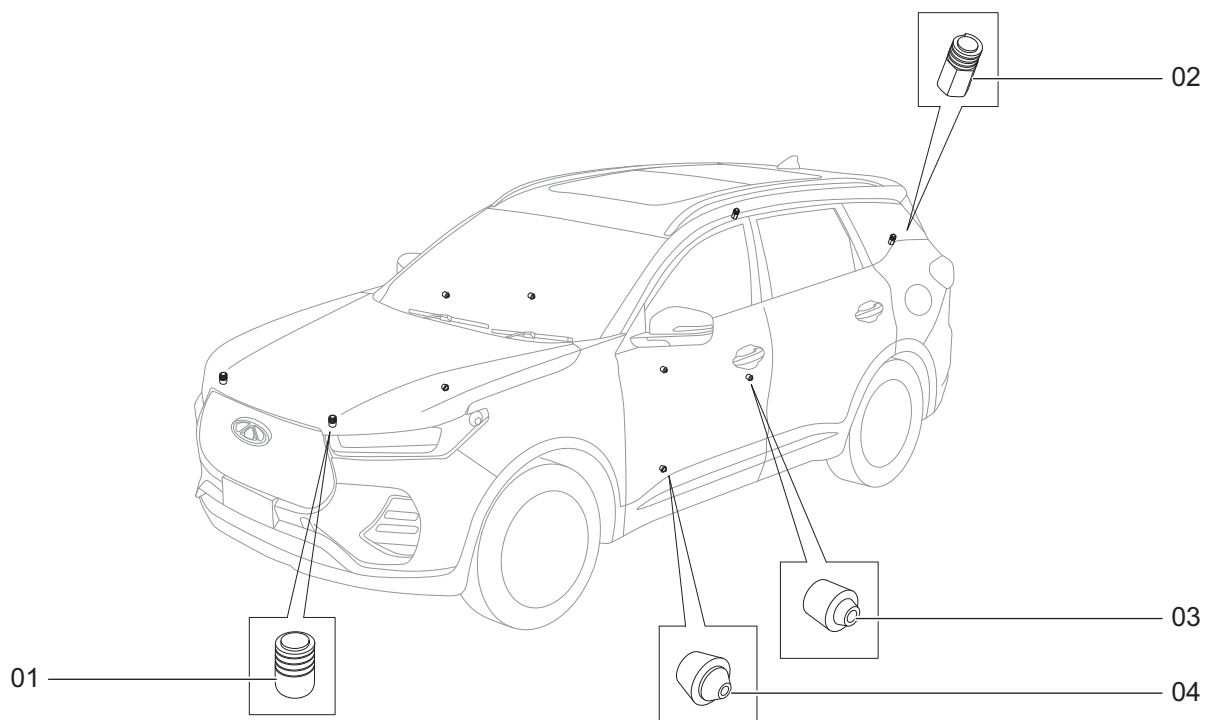


16

T1E090021

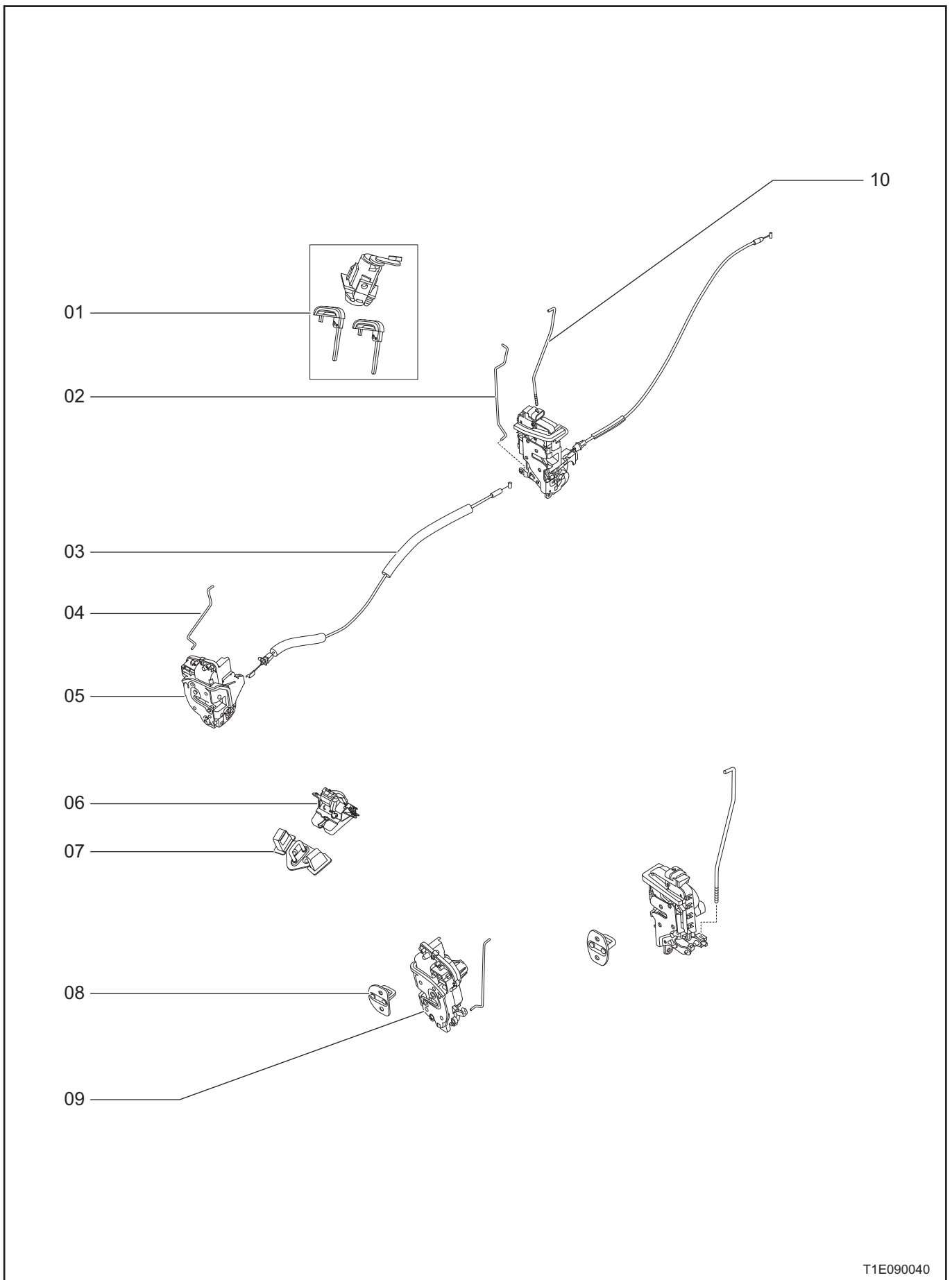


No.	Part No.	Station No.	Station Name	
11	403001878AA	T1EKKK30018782751	Remove and reinstall RR door outside handle seat assy RH	
		Ex: T1EKKK30017432701	Remove and reinstall RR door protector with switch assy RH	
12	403001877AA	T1EKKK30018772751	Remove and reinstall RR door OTR handle seat assy LH	
		Ex: T1EKKK30017422701	Remove and reinstall RR door protector with switch assy LH	
13	403001318AA-DQ	T1EKKK30013182701	Remove and reinstall Door handle cover	
		T1EKKK30013189201	Paint Door handle cover	
14	403001316AA-DQ	T1EKKK30013162751	Remove and reinstall Side RR door OTR handle	
		Ex: T1EKKK30017432701	Remove and reinstall RR door protector with switch assy RH	
		T1EKKK30013169201	Paint Side RR door OTR handle	
15	403001317AA-DQ	T1EKKK30013172701	Remove and reinstall FR door lock cylinder cover LH	
		T1EKKK30013179201	Paint FR door lock cylinder cover LH	
16	403001314AA	T1EKKK30013142751	Remove and reinstall RR door OTR handle assy	
		Ex: T1EKKK30017432701	Remove and reinstall RR door protector with switch assy RH	



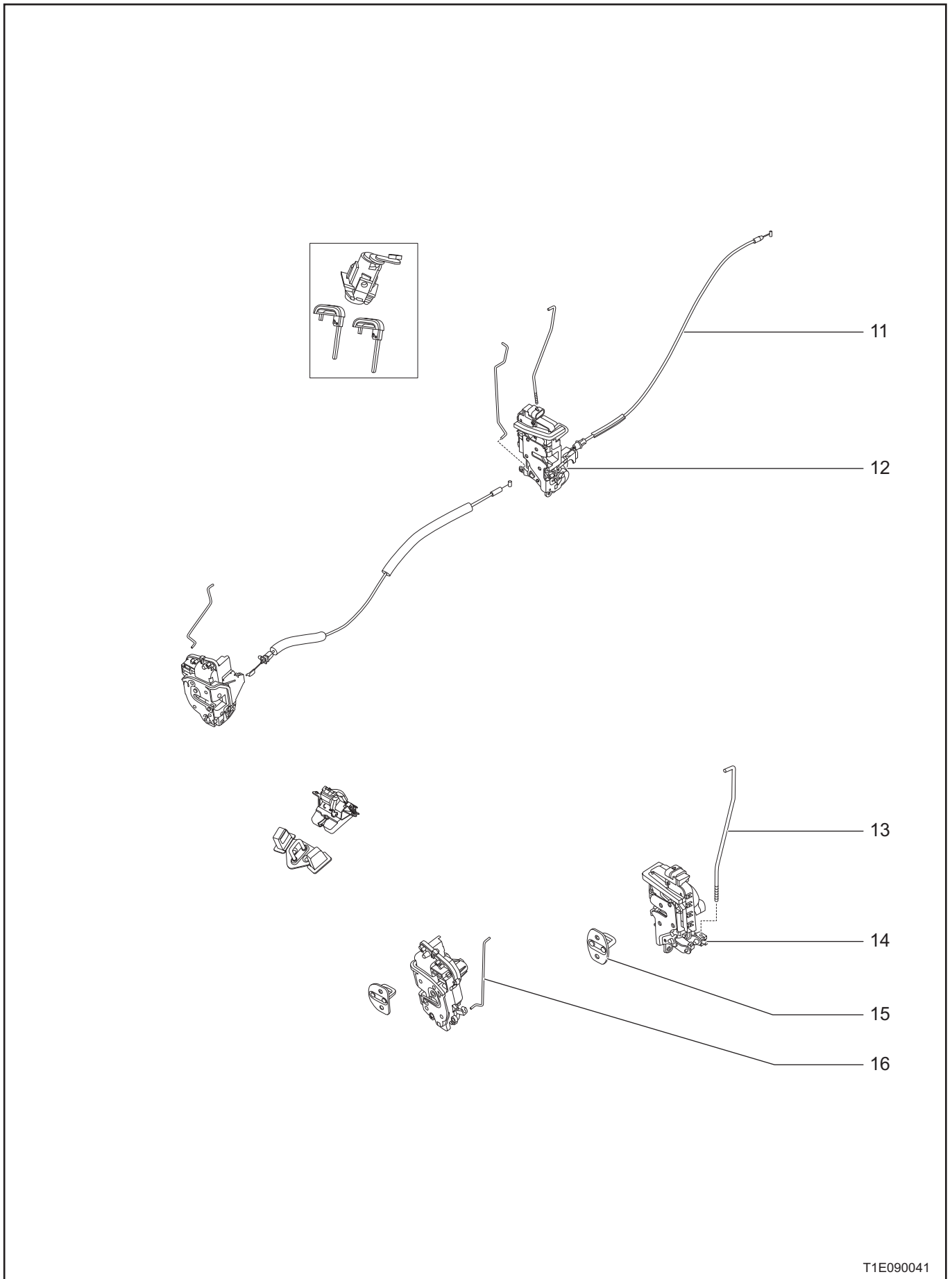
T1E090030

No.	Part No.	Station No.	Station Name	
01	S18-8402023	T1EKKK84020232701	Remove and reinstall Hood adjustment block	
02	J60-6109011	T1EKKK61090112701	Remove and reinstall Adjustable bumper block	
03	T11-6102541	T1EKKK61025412701	Remove and reinstall FR door buffer pad	
04	T21-6102025	T1EKKK61020252701	Remove and reinstall Buffer pad	



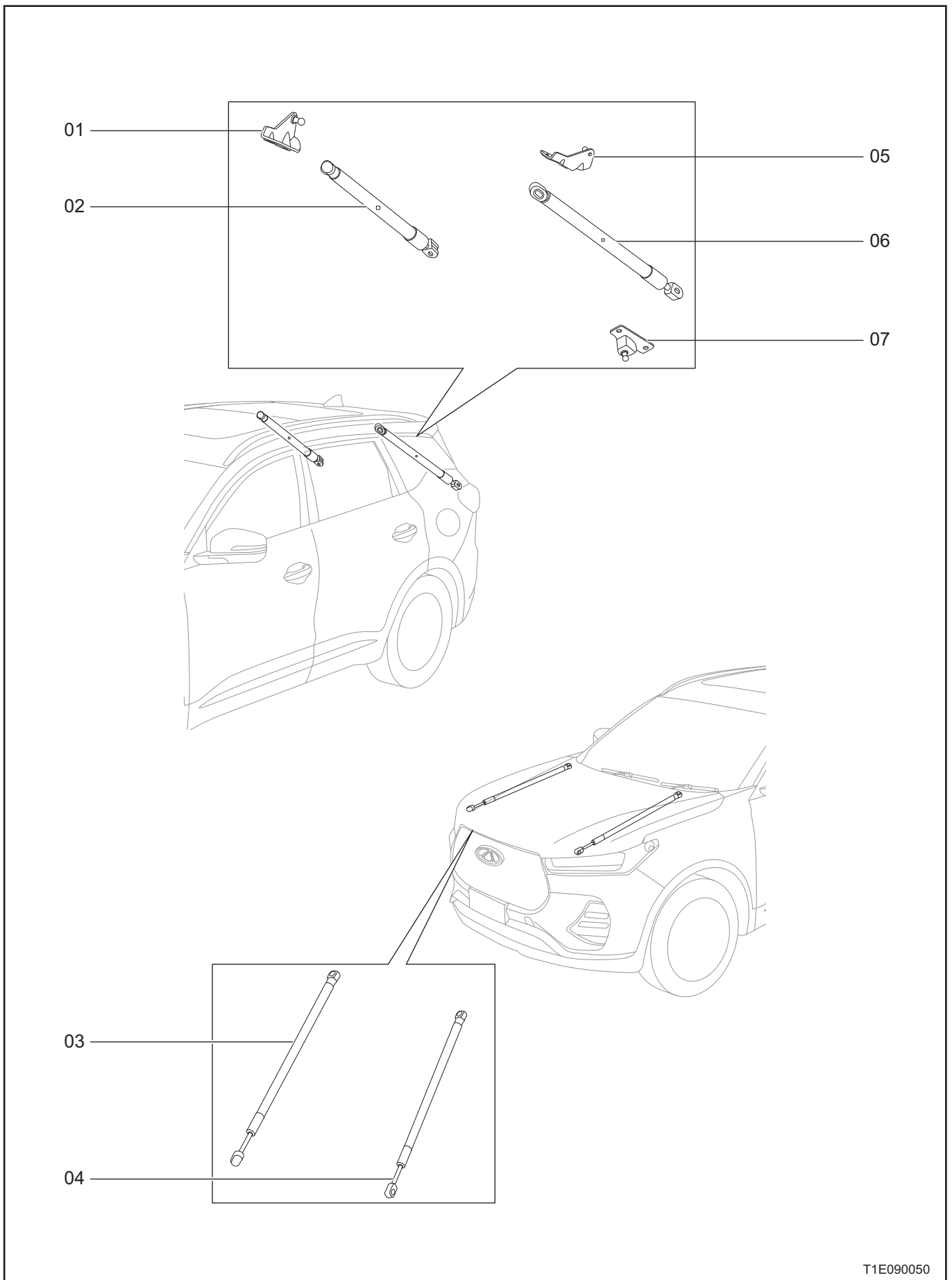
T1E090040

No.	Part No.	Station No.	Station Name	
01	403002466AA	T1EKKK30024662751	Remove and reinstall FR door LH lock core assy & key	
		Ex: T1EKKK30027992701	Remove and reinstall FR door protector with switch assy LH	
02	J68-6105113	T1EKKK61051132751	Remove and reinstall Key cylinder lever	
		Ex: T1EKKK30027992701	Remove and reinstall FR door protector with switch assy LH	
03	554000384AA	T1EKKK40003842751	Remove and reinstall RR door INR control cable assy LH	
		Ex: T1EKKK40000022751	Remove and reinstall RR door lock assy LH	
		Ex: T1EKKK30017422701	Remove and reinstall RR door protector with switch assy LH	
04	554000385AA	T1EKKK40003852751	Remove and reinstall RR door OTR push rod LH	
		Ex: T1EKKK30017422701	Remove and reinstall RR door protector with switch assy LH	
05	554000002AA	T1EKKK40000022751	Remove and reinstall RR door lock assy LH	
		Ex: T1EKKK30017422701	Remove and reinstall RR door protector with switch assy LH	
06	554000108AA	T1EKKK40001082751	Remove and reinstall Back door lock assy	
		Ex: T1EKKK30001282751	Remove and reinstall Back door LWR protector assy	
		Ex: T1EKKK30001272751	Remove and reinstall Back door protector assy RH	
		Ex: T1EKKK30001262751	Remove and reinstall Back door protector assy LH	
		Ex: T1EKKK30001252701	Remove and reinstall Back door UPR protector assy	
07	554000110AA	T1EKKK40001102701	Remove and reinstall Back door buckle assy	
08	554000056AA	T1EKKK40000562701	Remove and reinstall Side door striker	
09	554000003AA	T1EKKK40000032751	Remove and reinstall RR door lock assy RH	
		Ex: T1EKKK30017432701	Remove and reinstall RR door protector with switch assy RH	
10	509000761AA	T1EKKK90007612751	Remove and reinstall FR door OTR cable LH	
		Ex: T1EKKK30027992701	Remove and reinstall FR door protector with switch assy LH	



T1E090041

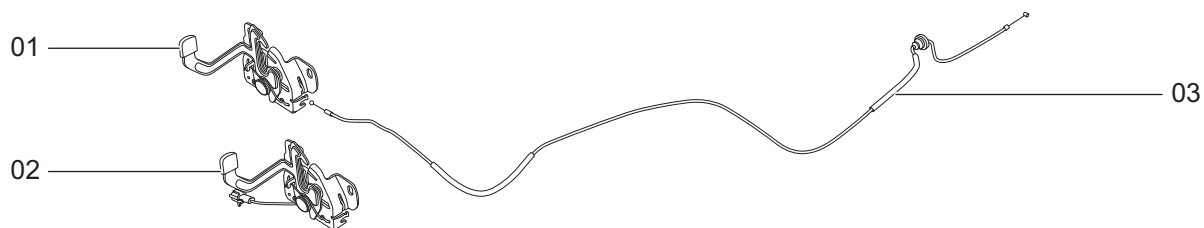
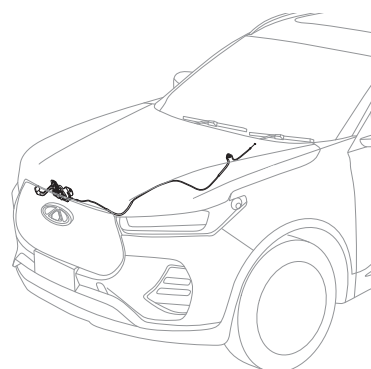
No.	Part No.	Station No.	Station Name	
11	J68-6105270	T1EKKK61052702751	Remove and reinstall FR door INR cable assy LH	
		Ex: T1EKKK61050102751	Remove and reinstall FR door lock LH	
		Ex: T1EKKK30027992701	Remove and reinstall FR door protector with switch assy LH	
12	J60-6105010AB	T1EKKK61050102751	Remove and reinstall FR door lock LH	
		Ex: T1EKKK30027992701	Remove and reinstall FR door protector with switch assy LH	
13	509000762AA	T1EKKK90007622751	Remove and reinstall FR door OTR push rod RH	
		Ex: T1EKKK30028002701	Remove and reinstall FR door protector with switch assy RH	
14	J60-6105020AB	T1EKKK61050202751	Remove and reinstall FR door lock RH	
		Ex: T1EKKK30028002701	Remove and reinstall FR door protector with switch assy RH	
15	J60-6105270	T1EKKK61052702701	Remove and reinstall Side door striker	
16	554000386AA	T1EKKK40003862751	Remove and reinstall RR door OTR push rod RH	
		Ex: T1EKKK30017432701	Remove and reinstall RR door protector with switch assy RH	



T1E090050

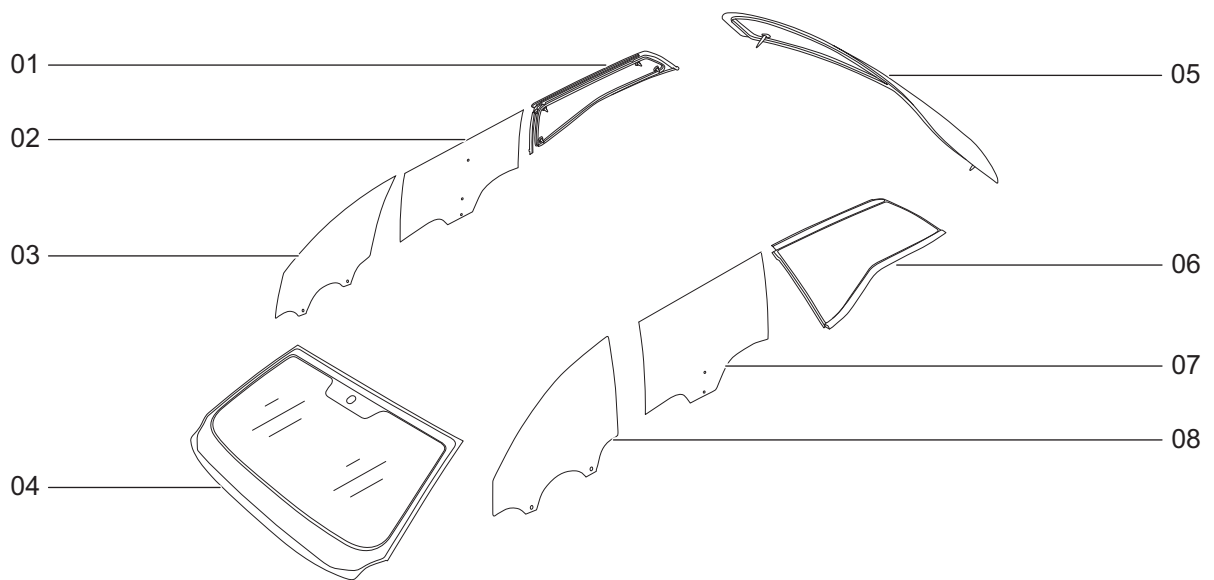


No.	Part No.	Station No.	Station Name	
01	554000073AA	T1EKKK40000732751	Remove and reinstall RR cover UPR bracket RH	
		Ex: T1EKKK40000642701	Remove and reinstall Back door air spring assy RH	
02	554000064AA	T1EKKK40000642701	Remove and reinstall Back door air spring assy RH	
03	554000456AA	T1EKKK40004562701	Remove and reinstall Engine hood air spring assy RH	
04	554000455AA	T1EKKK40004552701	Remove and reinstall Engine hood air spring assy LH	
05	554000071AA	T1EKKK40000712751	Remove and reinstall RR cover UPR bracket LH	
		Ex: T1EKKK40000632701	Remove and reinstall Back door air spring assy LH	
06	554000063AA	T1EKKK40000632701	Remove and reinstall Back door air spring assy LH	
07	554000072AA	T1EKKK40000722751	Remove and reinstall RR cover LWR bracket LH	
		Ex: T1EKKK40000632701	Remove and reinstall Back door air spring assy LH	



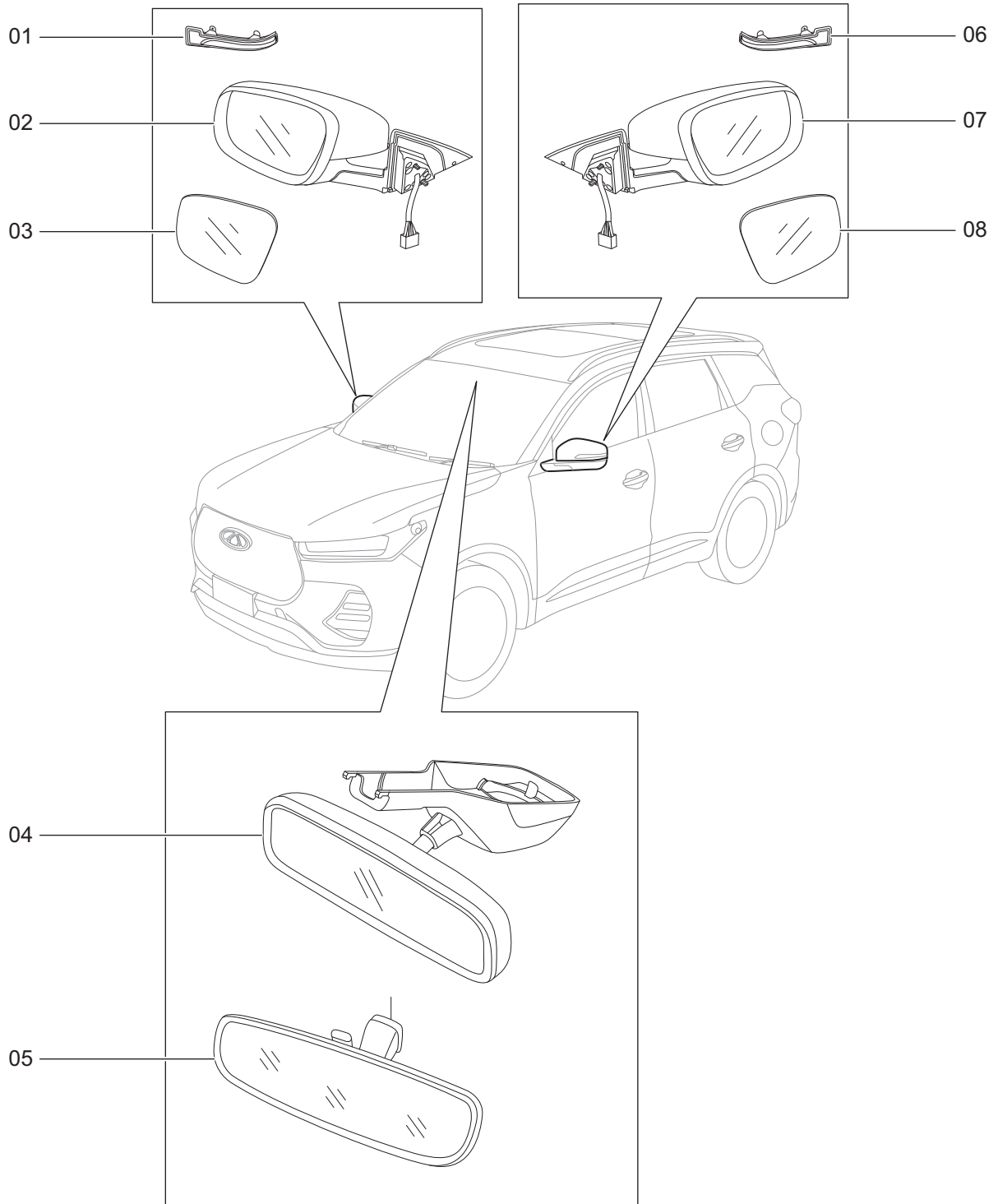
T1E090060

No.	Part No.	Station No.	Station Name	
01	554000609AA	T1EKKK40006092701	Remove and reinstall FR cover lock assy	
02	554000852AA	T1EKKK40008522701	Remove and reinstall FR cover lock assy	
03	554000612AA	T1EKKK40006122701	Remove and reinstall Engine hood lock cable assy	



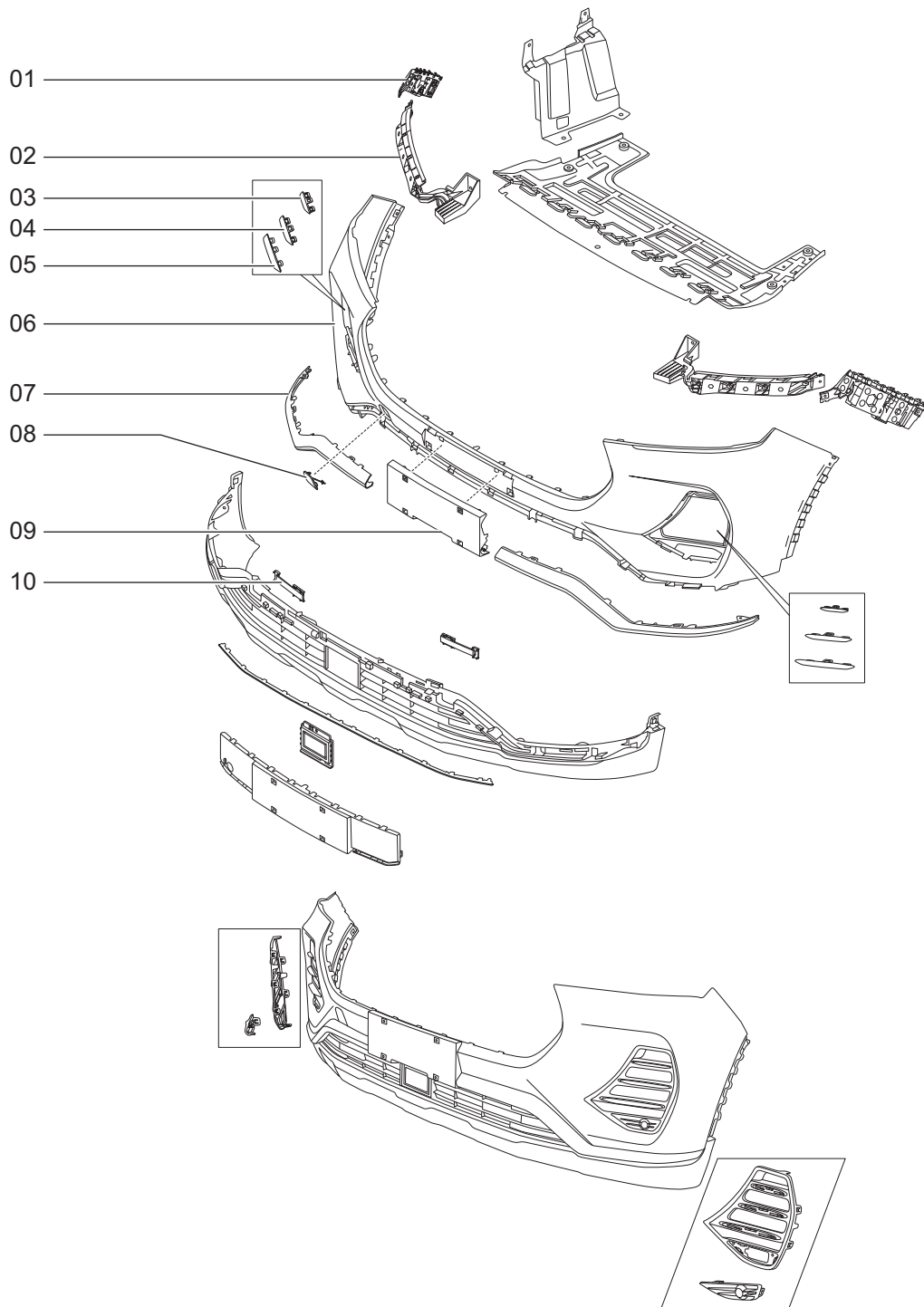
T1E090070

No.	Part No.	Station No.	Station Name	
01	555000152AA	T1EKKK50001522751	Remove and reinstall RR quarter window assy RH	
		Ex: T1EKKK30013712751	Remove and reinstall Pillar C UPR protector assy RH	
		Ex: T1EKKK30017992701	Remove and reinstall Pillar C LWR protector assy RH	
02	555000085AA	T1EKKK50000852751	Remove and reinstall RR door glass assy RH	
		Ex: T1EKKK30014182701	Remove and reinstall RR door protector assy RH	
03	555000116AA	T1EKKK50001162751	Remove and reinstall FR door glass assy RH	
		Ex: T1EKKK30014532701	Remove and reinstall FR door protector assy RH	
04	555000120AA	T1EKKK50001202701	Remove and reinstall FR windshield assy	
	555000136AA	T1EKKK50001362701	Remove and reinstall FR windshield assy	
05	555000008AA	T1EKKK50000082701	Remove and reinstall Tail door glass assy	
06	555000151AA	T1EKKK50001512751	Remove and reinstall RR quarter window assy LH	
		Ex: T1EKKK30013702751	Remove and reinstall Pillar C UPR protector assy LH	
		Ex: T1EKKK30017982701	Remove and reinstall Pillar C LWR protector assy LH	
07	555000084AA	T1EKKK50000842751	Remove and reinstall RR door glass assy LH	
		Ex: T1EKKK30014172701	Remove and reinstall RR door protector assy LH	
08	555000115AA	T1EKKK50001152751	Remove and reinstall FR door glass assy LH	
		Ex: T1EKKK30014522701	Remove and reinstall FR door protector assy LH	



T1E090080

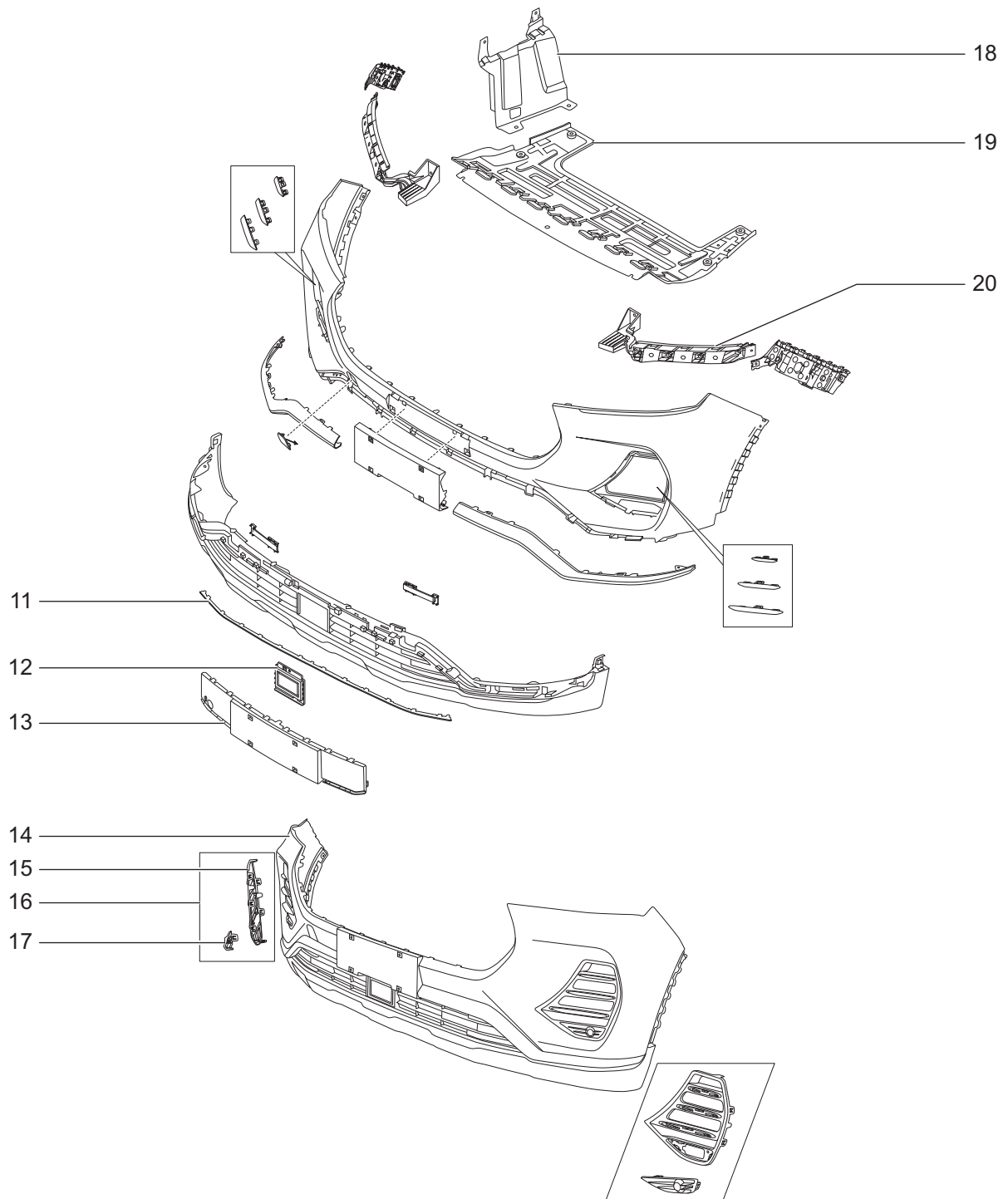
No.	Part No.	Station No.	Station Name	
01	J68-8202140	T1EKKK82021402751	Remove and reinstall Turn signal light RH	
		Ex: T1EKKK30014532701	Remove and reinstall FR door protector assy RH	
02	601000086AADQJ	T1EKKK10000862751	Remove and reinstall OTR RR view mirror assy RH	
		Ex: T1EKKK30014532701	Remove and reinstall FR door protector assy RH	
		T1EKKK10000869201	Paint OTR RR view mirror assy RH	
	601000213AADQJ	T1EKKK10002132751	Remove and reinstall OTR RR view mirror assy RH	
		Ex: T1EKKK30014532701	Remove and reinstall FR door protector assy RH	
		T1EKKK10002139201	Paint OTR RR view mirror assy RH	
03	J68-8202120	T1EKKK82021202701	Remove and reinstall Lens assy RH	
04	T15-8201010BA	T1EKKK82010102711	Remove and reinstall INR RR view mirror assy	
05	J26-8201010	T1EKKK82010102701	Remove and reinstall INR RR view mirror assy	
06	J68-8202130	T1EKKK82021302751	Remove and reinstall Turn signal light LH	
		Ex: T1EKKK30014522701	Remove and reinstall FR door protector assy LH	
07	601000085AADQJ	T1EKKK10000852751	Remove and reinstall OTR RR view mirror assy LH	
		Ex: T1EKKK30014522701	Remove and reinstall FR door protector assy LH	
		T1EKKK10000859201	Paint OTR RR view mirror assy LH	
	601000212AADQJ	T1EKKK10002122751	Remove and reinstall OTR RR view mirror assy LH	
		Ex: T1EKKK30014522701	Remove and reinstall FR door protector assy LH	
		T1EKKK10002129201	Paint OTR RR view mirror assy LH	
08	J68-8202110	T1EKKK82021102701	Remove and reinstall Lens assy LH	



T1E090090

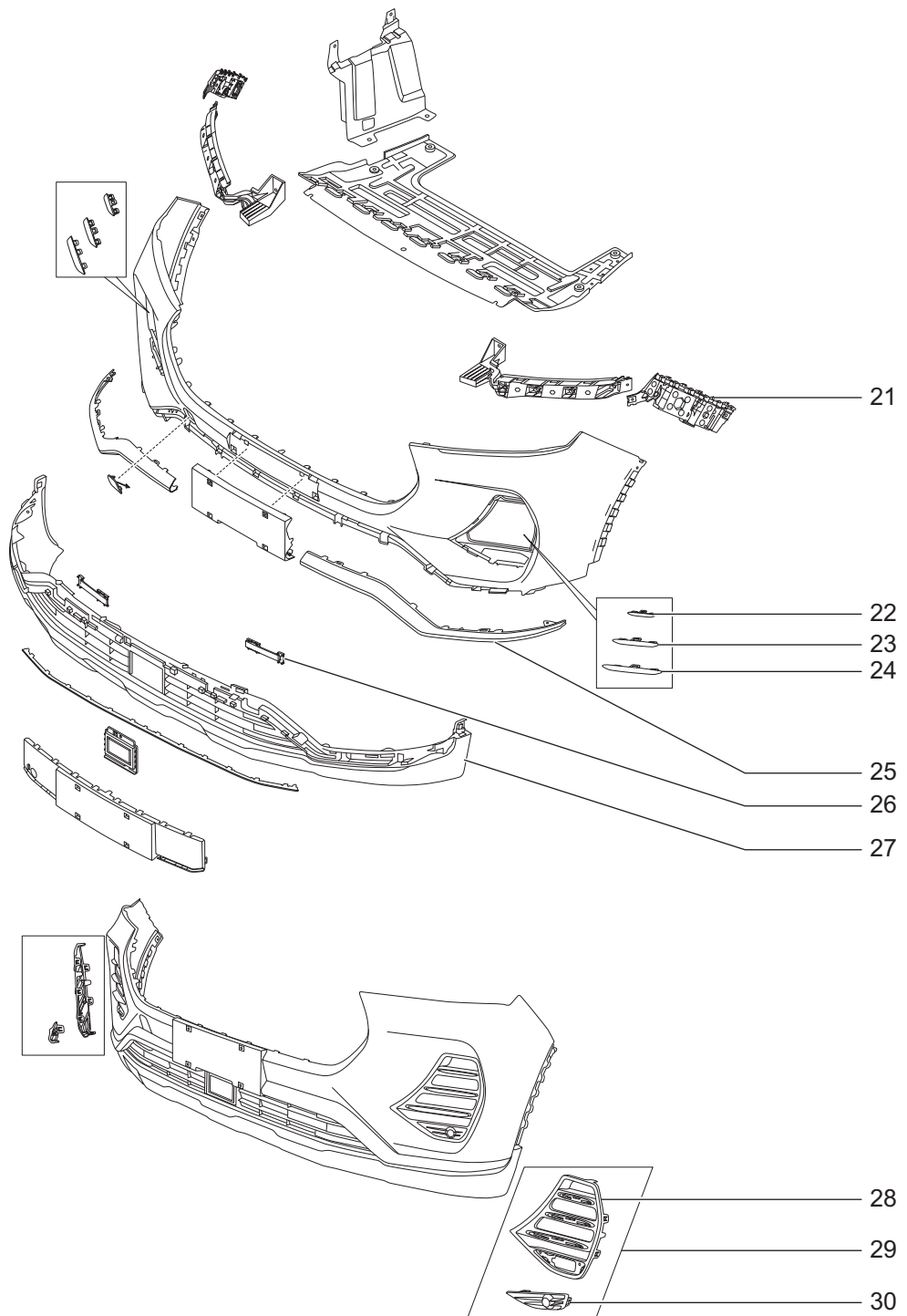


No.	Part No.	Station No.	Station Name	
01	602000588AA	T1EKKK20005882751	Remove and reinstall FR bumper bracket RH	
		Ex: T1EKKK20005862701	Remove and reinstall FR bumper body assy	
02	602000911AA	T1EKKK20009112751	Remove and reinstall FR bumper UPR bracket RH	
		Ex: T1EKKK20005862701	Remove and reinstall FR bumper body assy	
03	602001083AA	T1EKKK20010832751	Remove and reinstall Fog light trim strip 1 RH	
		Ex: T1EKKK20005862701	Remove and reinstall FR bumper body assy	
04	602001084AA	T1EKKK20010842751	Remove and reinstall Fog light trim strip 2 RH	
		Ex: T1EKKK20005862701	Remove and reinstall FR bumper body assy	
05	6020001085AA	T1EKKK20001082751	Remove and reinstall Fog light trim strip 3 RH	
		Ex: T1EKKK20005862701	Remove and reinstall FR bumper body assy	
06	602000941AADQJ	T1EKKK20009412751	Remove and reinstall FR bumper UPR body	
		Ex: T1EKKK20005862701	Remove and reinstall FR bumper body assy	
		T1EKKK20009419201	Paint FR bumper UPR body	
		T1EKKK20009419211	Paint FR bumper UPR body	
		T1EKKK20009419221	Paint FR bumper UPR body	
		T1EKKK20009419231	Paint FR bumper UPR body	
07	602000947AAADB	T1EKKK20009472751	Remove and reinstall FR bumper trim strip RH	
		Ex: T1EKKK20005862701	Remove and reinstall FR bumper body assy	
	602000947AAAGG	T1EKKK20009472761	Remove and reinstall FR bumper trim strip RH	
		Ex: T1EKKK20005862701	Remove and reinstall FR bumper body assy	
08	602000949AADQJ	T1EKKK20009492701	Remove and reinstall FR hood block cover	
		T1EKKK20009499201	Paint FR hood block cover	
09	602000943AA	T1EKKK20009432751	Remove and reinstall License plate mounting panel	
		Ex: T1EKKK20005862701	Remove and reinstall FR bumper body assy	
10	602000951AA	T1EKKK20009512751	Remove and reinstall Grille radar cover plate RH (without hole)	
		Ex: T1EKKK20005862701	Remove and reinstall FR bumper body assy	



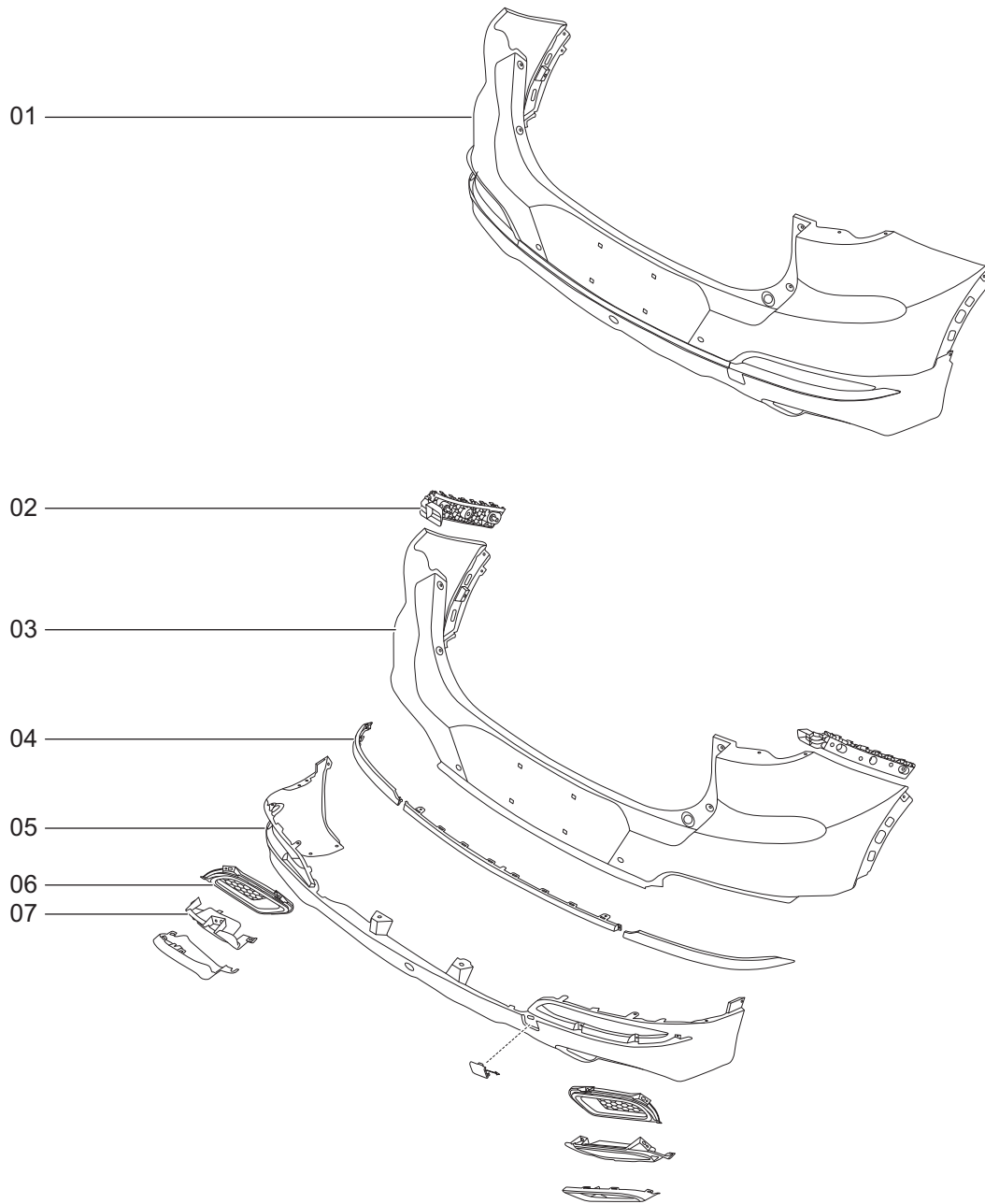
T1E090091

No.	Part No.	Station No.	Station Name	
11	602000948AAAR1	T1EKKK20009482751	Remove and reinstall FR bumper MD trim strip	
		Ex: T1EKKK20005862701	Remove and reinstall FR bumper body assy	
12	602000958AA	T1EKKK20009582751	Remove and reinstall AEB plug	
		Ex: T1EKKK20005862701	Remove and reinstall FR bumper body assy	
13	S21-2803405	T1EKKK28034052751	Remove and reinstall FR license plate mounting panel	
		Ex: T1EKKK20005862701	Remove and reinstall FR bumper body assy	
14	602000586AA##	T1EKKK20005862701	Remove and reinstall FR bumper body assy	
		T1EKKK20005869201	Paint FR bumper body assy	
		T1EKKK20005869211	Paint FR bumper body assy	
		T1EKKK20005869221	Paint FR bumper body assy	
		T1EKKK20005869231	Paint FR bumper body assy	
		T1EKKK20005869501	Part paint FR bumper body assy	
15	602000945AA	T1EKKK20009452751	Remove and reinstall Fog light cover RH	
		Ex: T1EKKK20005862701	Remove and reinstall FR bumper body assy	
	602000955AA	T1EKKK20009552751	Remove and reinstall Fog light cover radar cover plate RH (without hole)	
		Ex: T1EKKK20005862701	Remove and reinstall FR bumper body assy	
16	602001346AAACE	T1EKKK20013462751	Remove and reinstall FR bumper daytime running light trim cover RH (without hole)	
		Ex: T1EKKK20005862701	Remove and reinstall FR bumper body assy	
17	602000953AA	T1EKKK20009532751	Remove and reinstall Intake grille radar cover plate RH (without hole)	
		Ex: T1EKKK20005862701	Remove and reinstall FR bumper body assy	
18	T15-1310080	T1EKKK13100802701	Remove and reinstall Water retaining plate assy	
19	602000746AA	T1EKKK20007462701	Remove and reinstall Engine LWR protector	
20	602000910AA	T1EKKK20009102751	Remove and reinstall FR bumper UPR bracket LH	
		Ex: T1EKKK20005862701	Remove and reinstall FR bumper body assy	



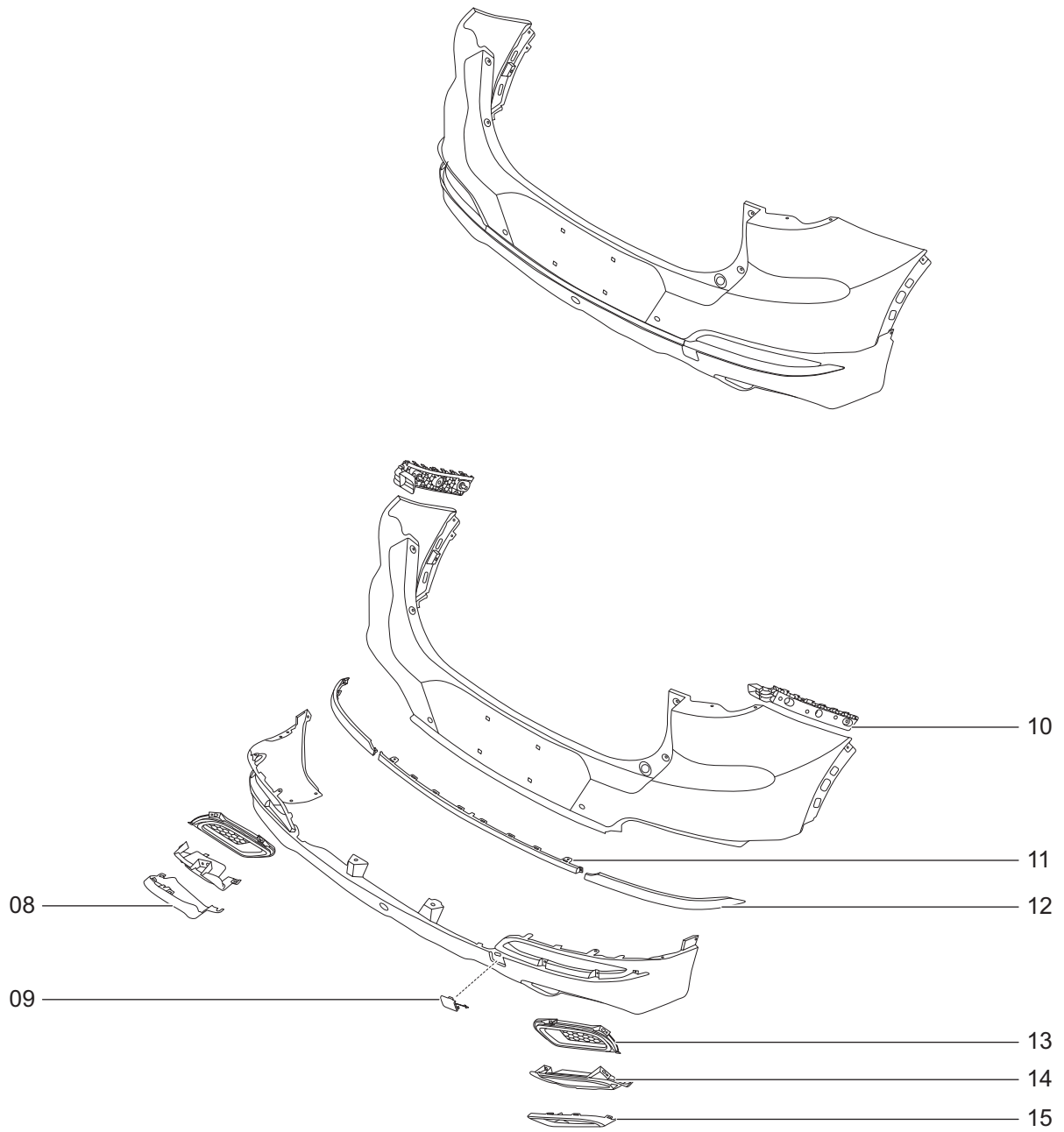
T1E090092

No.	Part No.	Station No.	Station Name	
21	602000587AA	T1EKKK20005872751	Remove and reinstall FR bumper bracket LH	
		Ex: T1EKKK20005862701	Remove and reinstall FR bumper body assy	
22	602001080AA	T1EKKK20010802751	Remove and reinstall Fog light trim strip 1 LH	
		Ex: T1EKKK20005862701	Remove and reinstall FR bumper body assy	
23	602001081AA	T1EKKK20010812751	Remove and reinstall Fog light trim strip 2 LH	
		Ex: T1EKKK20005862701	Remove and reinstall FR bumper body assy	
24	602001082AA	T1EKKK20010822751	Remove and reinstall Fog light trim strip 3 LH	
		Ex: T1EKKK20005862701	Remove and reinstall FR bumper body assy	
25	602000946AAADB	T1EKKK20009462751	Remove and reinstall FR bumper trim strip LH	
		Ex: T1EKKK20005862701	Remove and reinstall FR bumper body assy	
	602000946AAAGG	T1EKKK20009462761	Remove and reinstall FR bumper trim strip LH	
		Ex: T1EKKK20005862701	Remove and reinstall FR bumper body assy	
26	602000950AA	T1EKKK20009502751	Remove and reinstall Grille radar cover plate LH (without hole)	
		Ex: T1EKKK20005862701	Remove and reinstall FR bumper body assy	
	602000952AA	T1EKKK20009522751	Remove and reinstall Intake grille radar cover plate LH (without hole)	
		Ex: T1EKKK20005862701	Remove and reinstall FR bumper body assy	
27	602000942AA	T1EKKK20009422751	Remove and reinstall FR bumper LWR body	
		Ex: T1EKKK20005862701	Remove and reinstall FR bumper body assy	
28	602000944AA	T1EKKK20009442751	Remove and reinstall Fog light cover LH	
		Ex: T1EKKK20005862701	Remove and reinstall FR bumper body assy	
29	602001344AAACE	T1EKKK20013442751	Remove and reinstall FR bumper daytime running light trim cover assy LH (without hole)	
		Ex: T1EKKK20005862701	Remove and reinstall FR bumper body assy	
30	602000954AA	T1EKKK20009542751	Remove and reinstall Fog light cover radar cover plate LH (without hole)	
		Ex: T1EKKK20005862701	Remove and reinstall FR bumper body assy	



T1E090100

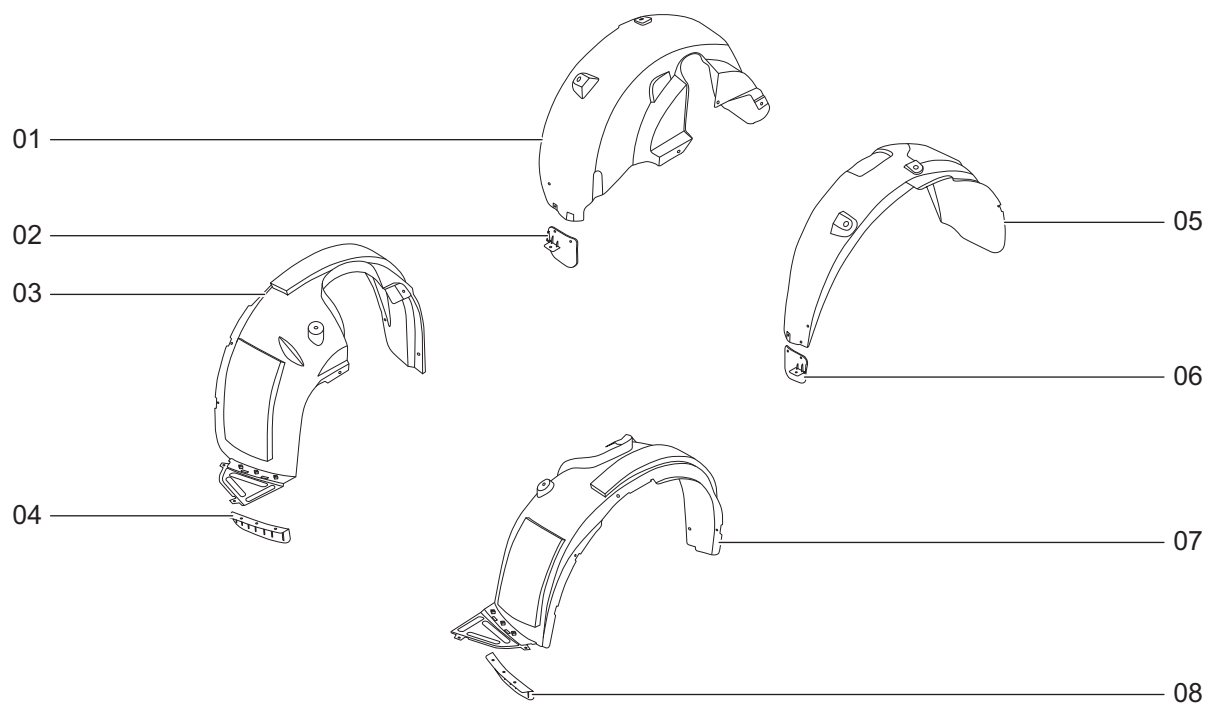
No.	Part No.	Station No.	Station Name	
01	602000609AA	T1EKKK20006092701	Remove and reinstall RR bumper body assy	
		T1EKKK20006099201	Paint RR bumper body assy	
		T1EKKK20006099211	Paint RR bumper body assy	
		T1EKKK20006099221	Paint RR bumper body assy	
		T1EKKK20006099231	Paint RR bumper body assy	
		T1EKKK20006099501	Part paint RR bumper body assy	
02	602000608AA	T1EKKK20006082751	Remove and reinstall RR bumper mounting bracket LH	
		Ex: T1EKKK20006092701	Remove and reinstall RR bumper body assy	
03	602000931AADQJ	T1EKKK20009312751	Remove and reinstall RR bumper UPR body	
		Ex: T1EKKK20006092701	Remove and reinstall RR bumper body assy	
		T1EKKK20009319201	Paint RR bumper UPR body	
		T1EKKK20009319211	Paint RR bumper UPR body	
		T1EKKK20009319221	Paint RR bumper UPR body	
		T1EKKK20009319231	Paint RR bumper UPR body	
04	602000934AAADB	T1EKKK20009342751	Remove and reinstall RR bumper trim strip LH	
		Ex: T1EKKK20006092701	Remove and reinstall RR bumper body assy	
	602001055AAAGG	T1EKKK20010552751	Remove and reinstall RR bumper trim strip LH	
		Ex: T1EKKK20006092701	Remove and reinstall RR bumper body assy	
05	602000932AA	T1EKKK20009322751	Remove and reinstall RR bumper LWR body	
		Ex: T1EKKK20006092701	Remove and reinstall RR bumper body assy	
06	602001336AA	T1EKKK20013362701	Remove and reinstall RR bumper exhaust pipe trim cover assy LH	
07	602000939AA	T1EKKK20009392701	Remove and reinstall RR bumper exhaust pipe trim cover connecting panel LH	



T1E090101

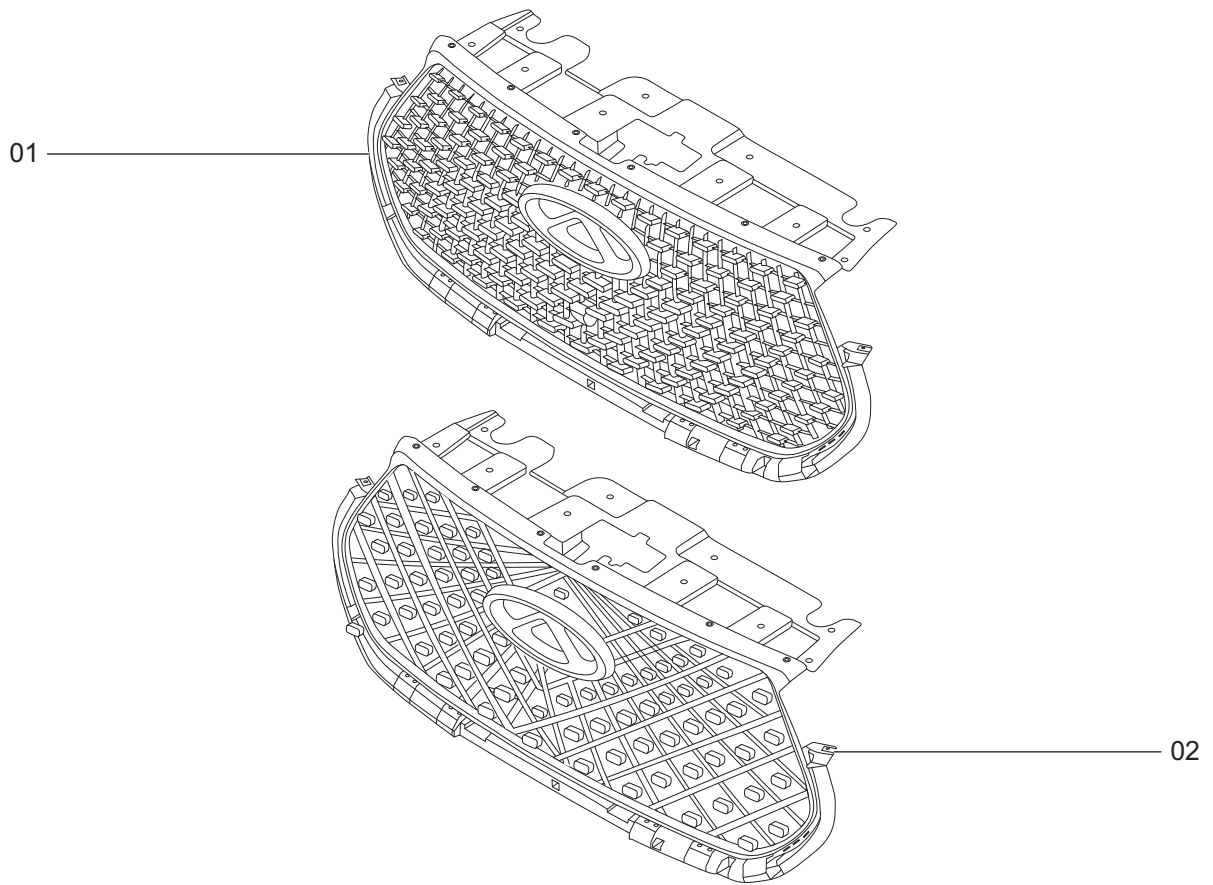


No.	Part No.	Station No.	Station Name	
08	602000937AA	T1EKKK20009372701	Remove and reinstall RR bumper exhaust pipe trim cover LH	
09	602000933AA	T1EKKK20009332701	Remove and reinstall RR towing hook block cover	
		T1EKKK20009339201	Paint RR towing hook block cover	
10	602000610AA	T1EKKK20006102751	Remove and reinstall RR bumper mounting bracket RH	
		Ex: T1EKKK20006092701	Remove and reinstall RR bumper body assy	
11	602000935AAADB	T1EKKK20009352751	Remove and reinstall RR bumper center trim strip	
		Ex: T1EKKK20006092701	Remove and reinstall RR bumper body assy	
	602001056AAAGG	T1EKKK20010562751	Remove and reinstall RR bumper center trim strip	
		Ex: T1EKKK20006092701	Remove and reinstall RR bumper body assy	
12	602000936AAADB	T1EKKK20009362751	Remove and reinstall RR bumper trim strip RH	
		Ex: T1EKKK20006092701	Remove and reinstall RR bumper body assy	
	602001057AAAGG	T1EKKK20010572751	Remove and reinstall RR bumper trim strip RH	
		Ex: T1EKKK20006092701	Remove and reinstall RR bumper body assy	
13	602001337AA	T1EKKK20013372701	Remove and reinstall RR bumper exhaust pipe trim cover assy RH	
14	602000940AA	T1EKKK20009402701	Remove and reinstall RR bumper exhaust pipe trim cover connecting panel RH	
15	602000938AA	T1EKKK20009382701	Remove and reinstall RR bumper exhaust pipe trim cover RH	



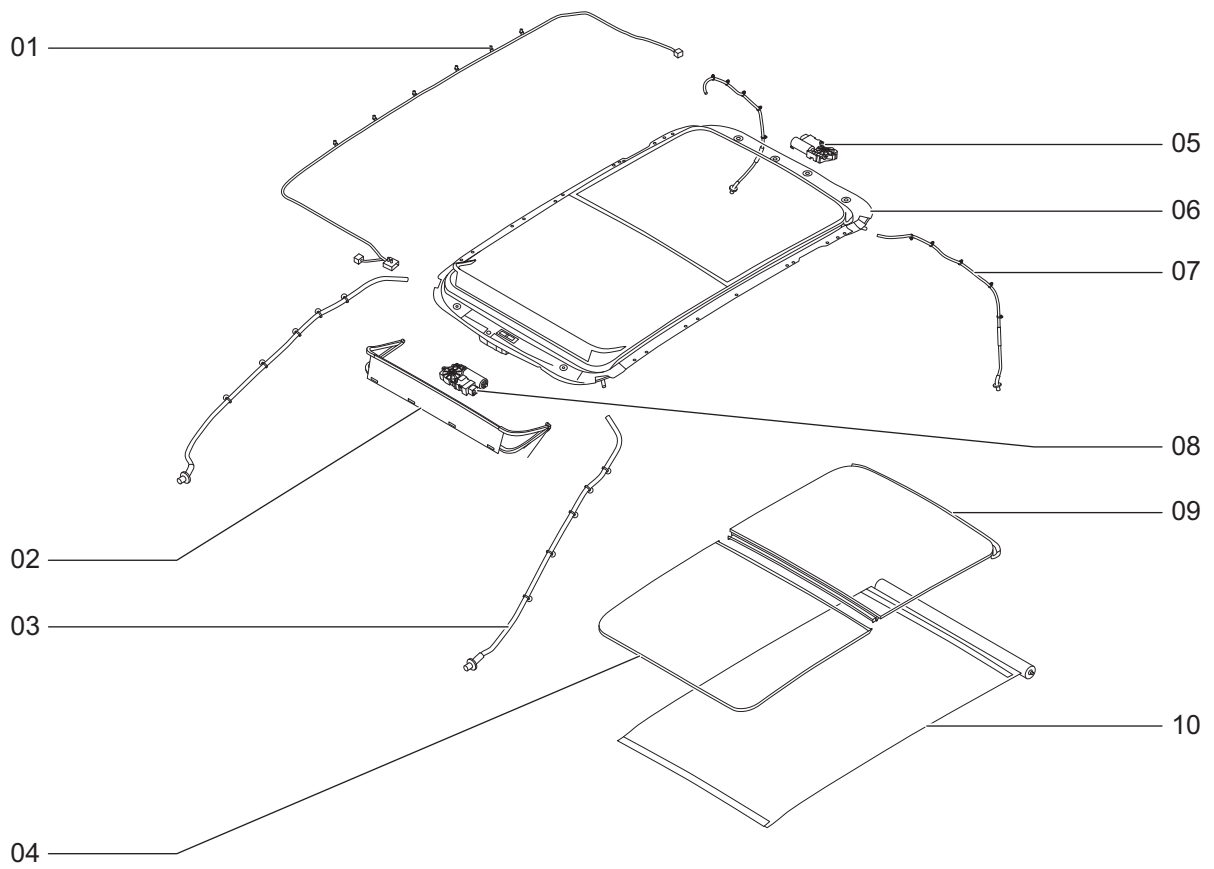
T1E090110

No.	Part No.	Station No.	Station Name	
01	602000612AA	T1EKKK20006122751	Remove and reinstall RR wheel house protector assy RH	
		Ex: T1EKKK90005022701	Remove and reinstall RR wheel arch trim assy RH	
02	602000873AA	T1EKKK20008732701	Remove and reinstall RR wheel house wind deflector RH	
03	602000647AA	T1EKKK20006472751	Remove and reinstall FR wheel house protector assy RH	
		Ex: T1EKKK90005002701	Remove and reinstall FR wheel arch trim assy RH	
04	602000871AA	T1EKKK20008712701	Remove and reinstall FR wheel house air dam RH	
05	602000611AA	T1EKKK20006112751	Remove and reinstall RR wheel house protector assy LH	
		Ex: T1EKKK90005012701	Remove and reinstall RR wheel arch trim assy LH	
06	602000872AA	T1EKKK20008722701	Remove and reinstall RR wheel house wind deflector LH	
07	602000646AA	T1EKKK20006462751	Remove and reinstall FR wheel house protector assy LH	
		Ex: T1EKKK90004992701	Remove and reinstall FR wheel arch trim assy LH	
08	602000870AA	T1EKKK20008702701	Remove and reinstall FR wheel house air dam LH	



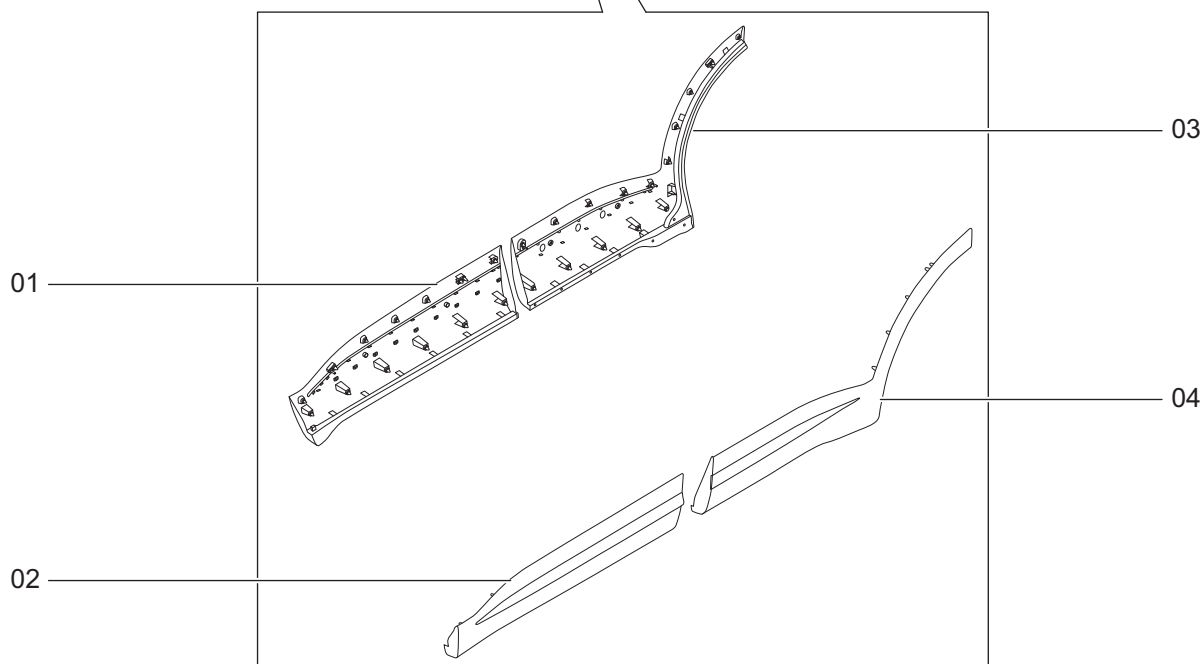
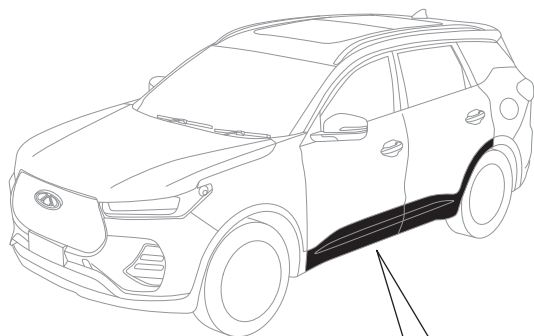
T1E090120

No.	Part No.	Station No.	Station Name	
01	602000590AA	T1EKKK20005902751	Remove and reinstall Radiator grille assy	
		Ex: T1EKKK20005862701	Remove and reinstall FR bumper body assy	
02	602001339AA	T1EKKK20013392751	Remove and reinstall Radiator grille assy	
		Ex: T1EKKK20005862701	Remove and reinstall FR bumper body assy	



T1E090130

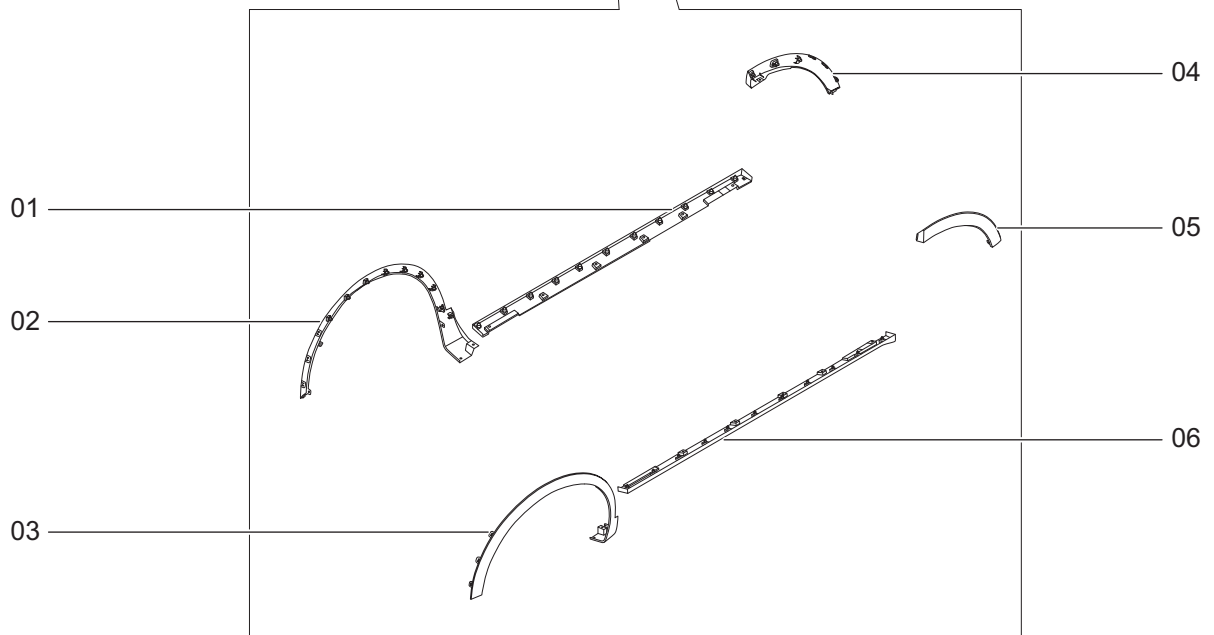
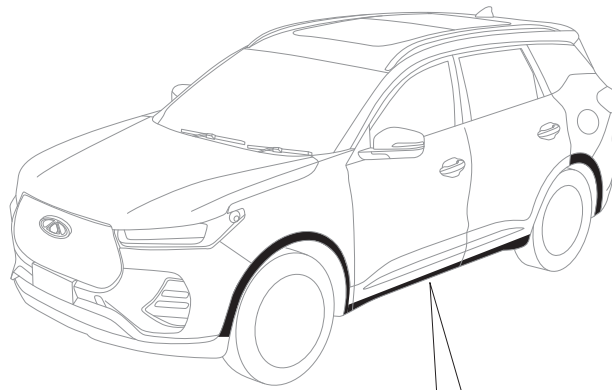
No.	Part No.	Station No.	Station Name	
01	603000106AA	T1EKKK30001062751	Remove and reinstall Sunroof wire harness assy	
		Ex: T1EKKK30013282701	Remove and reinstall Sunroof/Roof assy	
02	603000104AA	T1EKKK30001042701	Remove and reinstall Sunroof deflector	
03	603000003AA	T1EKKK30000032751	Remove and reinstall FR sunroof guide pipe assy	
		Ex: T1EKKK30013282701	Remove and reinstall Sunroof/Roof assy	
04	603000102AA	T1EKKK30001022701	Remove and reinstall Sunroof FR glass assy	
05	603000099AA	T1EKKK30000992751	Remove and reinstall Sunroof glass motor assy	
		Ex: T1EKKK30013282701	Remove and reinstall Sunroof/Roof assy	
06	603000095AA	T1EKKK30000952751	Remove and reinstall Sunroof assy	
		Ex: T1EKKK30013282701	Remove and reinstall Sunroof/Roof assy	
07	603000078AA	T1EKKK30000782751	Remove and reinstall RR sunroof guide pipe assy	
		Ex: T1EKKK30013282701	Remove and reinstall Sunroof/Roof assy	
08	603000100AA	T1EKKK30001002751	Remove and reinstall Sunroof sunshade motor assy	
		Ex: T1EKKK30013282701	Remove and reinstall Sunroof/Roof assy	
09	603000103AA	T1EKKK30001032751	Remove and reinstall Sunroof RR glass assy	
		Ex: T1EKKK30000952751	Remove and reinstall Sunroof assy	
		Ex: T1EKKK30013282701	Remove and reinstall Sunroof/Roof assy	
10	603000105AA	T1EKKK30001052751	Remove and reinstall Sunroof sunshade assy	
		Ex: T1EKKK30000952751	Remove and reinstall Sunroof assy	
		Ex: T1EKKK30013282701	Remove and reinstall Sunroof/Roof assy	



T1E090140

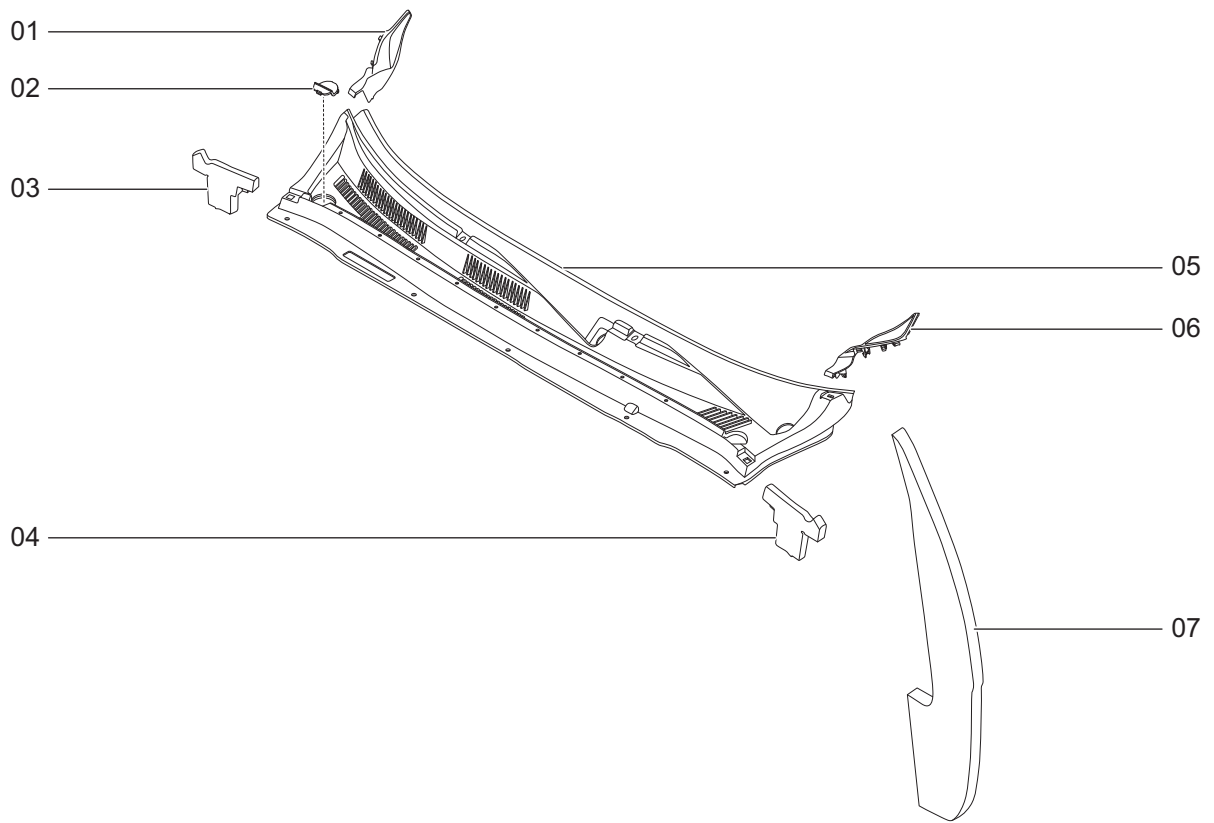


No.	Part No.	Station No.	Station Name	
01	609000496AA	T1EKKK90004962701	Remove and reinstall FR door trim panel assy RH	
02	609000495AA	T1EKKK90004952701	Remove and reinstall FR door trim panel assy LH	
03	609000498AA	T1EKKK90004982701	Remove and reinstall RR door trim panel assy RH	
04	609000497AA	T1EKKK90004972701	Remove and reinstall RR door trim panel assy LH	



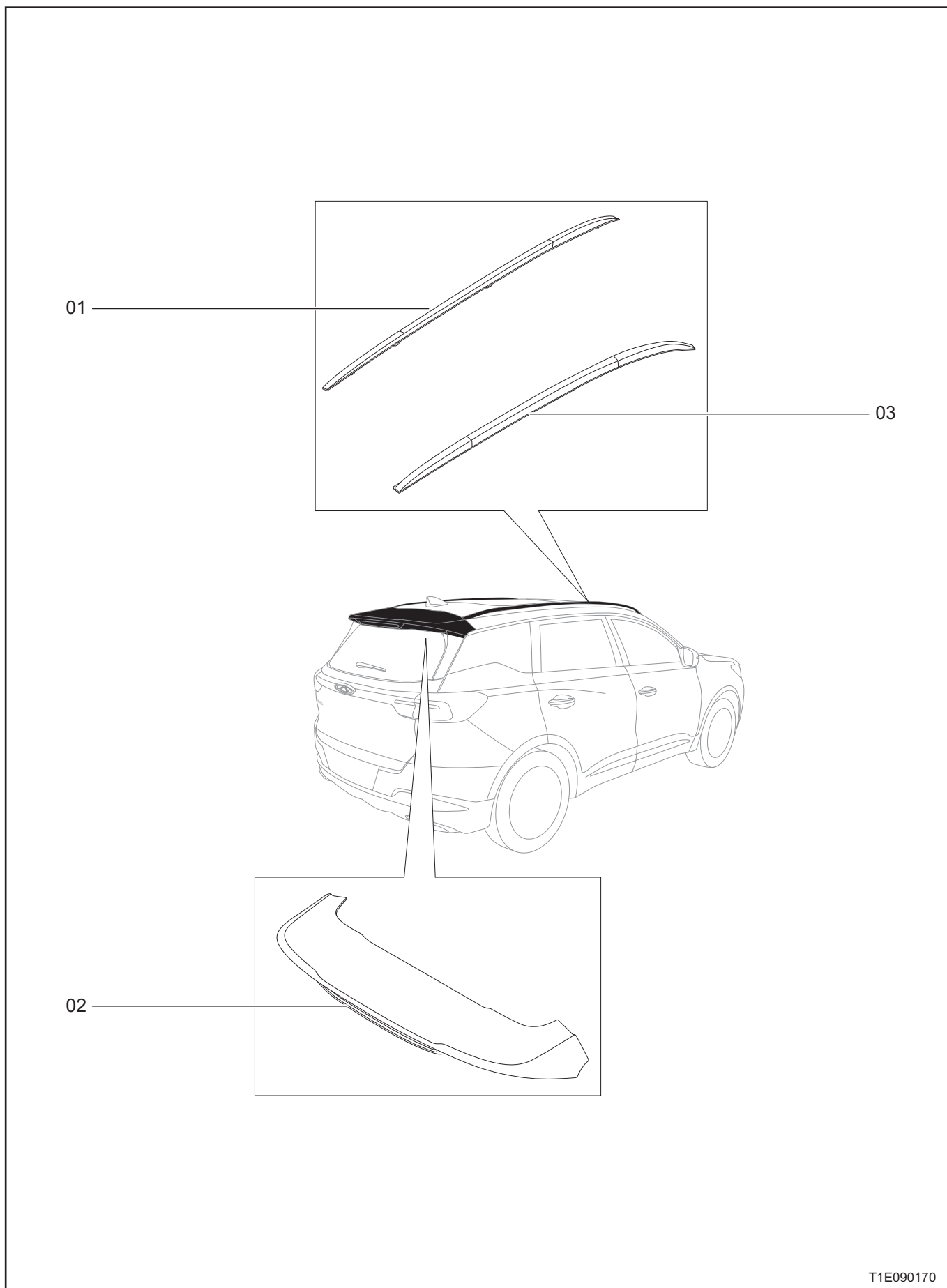
T1E090150

No.	Part No.	Station No.	Station Name	
01	609000504AA	T1EKKK90005042701	Remove and reinstall Skirt protector assy RH	
02	609000500AA	T1EKKK90005002701	Remove and reinstall FR wheel arch trim assy RH	
03	609000499AA	T1EKKK90004992701	Remove and reinstall FR wheel arch trim assy LH	
04	609000502AA	T1EKKK90005022701	Remove and reinstall RR wheel arch trim assy RH	
05	609000501AA	T1EKKK90005012701	Remove and reinstall RR wheel arch trim assy LH	
06	609000503AA	T1EKKK90005032701	Remove and reinstall Skirt protector assy LH	



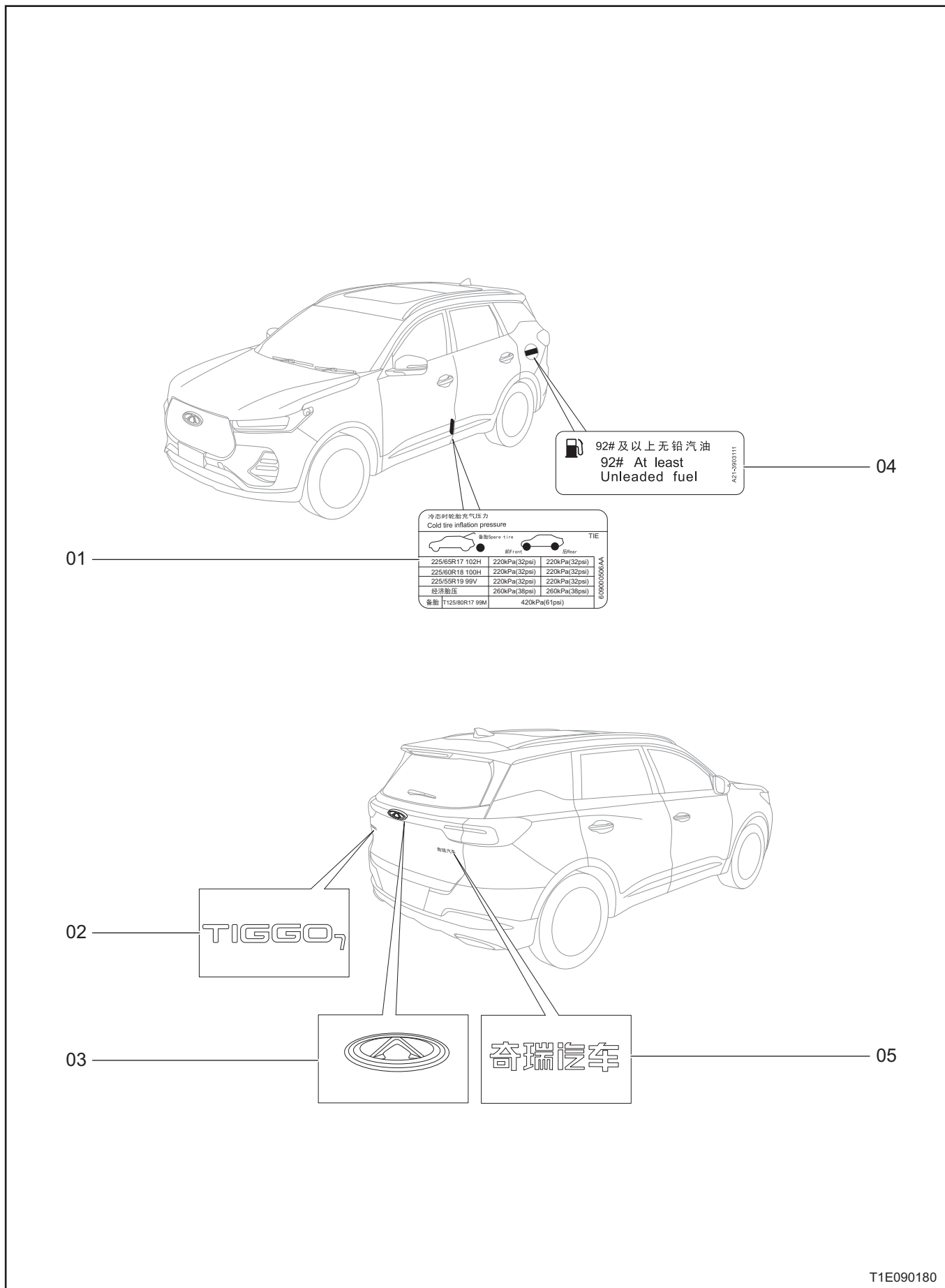
T1E090160

No.	Part No.	Station No.	Station Name	
01	J68-5302112	T1EKKK53021122701	Remove and reinstall FR windshield LWR trim panel cover plate RH	
02	J68-5302118	T1EKKK53021182701	Remove and reinstall Block cover RH	
03	609000609AA	T1EKKK90006092701	Remove and reinstall Foam block cover RH	
04	609000608AA	T1EKKK90006082701	Remove and reinstall Foam block cover LH	
05	J68-5302010	T1EKKK53020102701	Remove and reinstall Front windshield LWR trim panel assy	
06	J68-5302111	T1EKKK53021112701	Remove and reinstall FR windshield LWR trim panel cover plate LH	
07	T15-5440051	T1EKKK54400512701	Remove and reinstall FR fender sound insulation cotton LH	



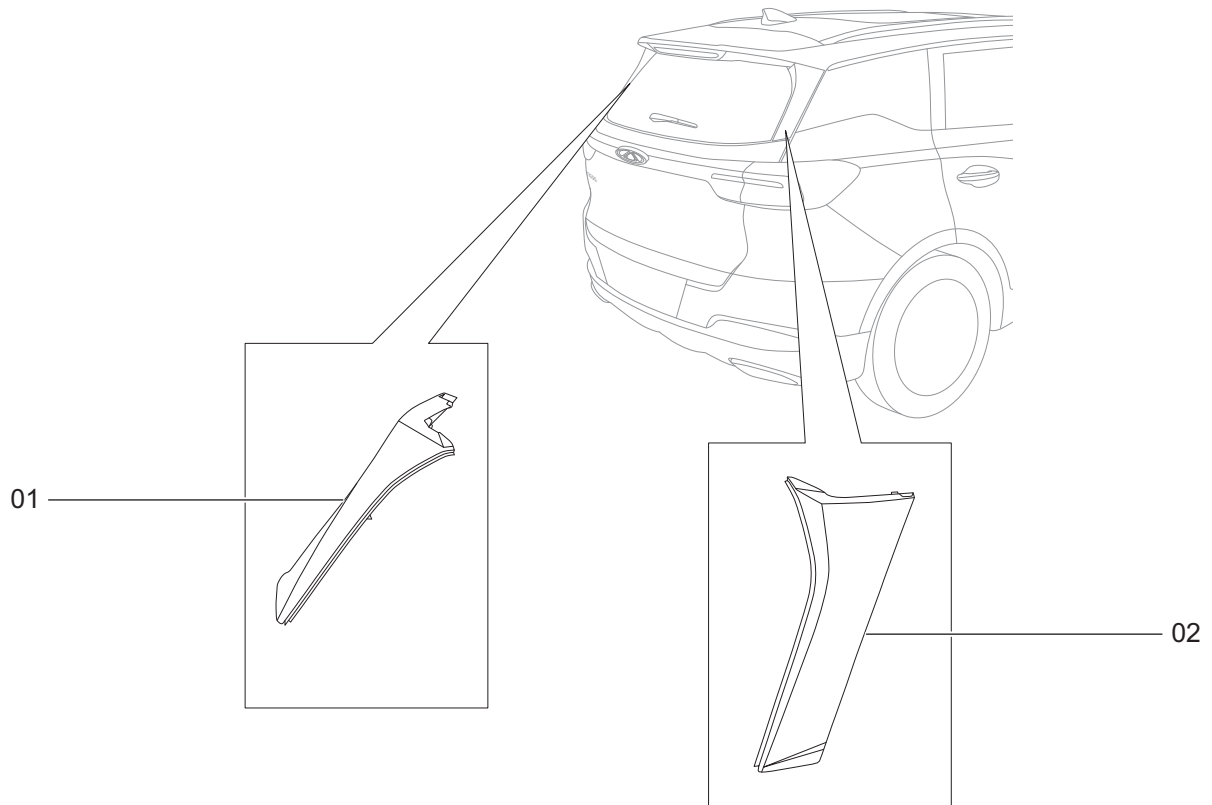
T1E090170

No.	Part No.	Station No.	Station Name	
01	609000610AA	T1EKKK90006102701	Remove and reinstall Luggage rack body LH	
02	609000542AADQJ	T1EKKK90005422751	Remove and reinstall Spoiler assy	
		Ex: T1EKKK30001252701	Remove and reinstall Back door UPR protector assy	
		T1EKKK90005429201	Paint Spoiler assy	
03	609000611AA	T1EKKK90006112701	Remove and reinstall Luggage rack body RH	



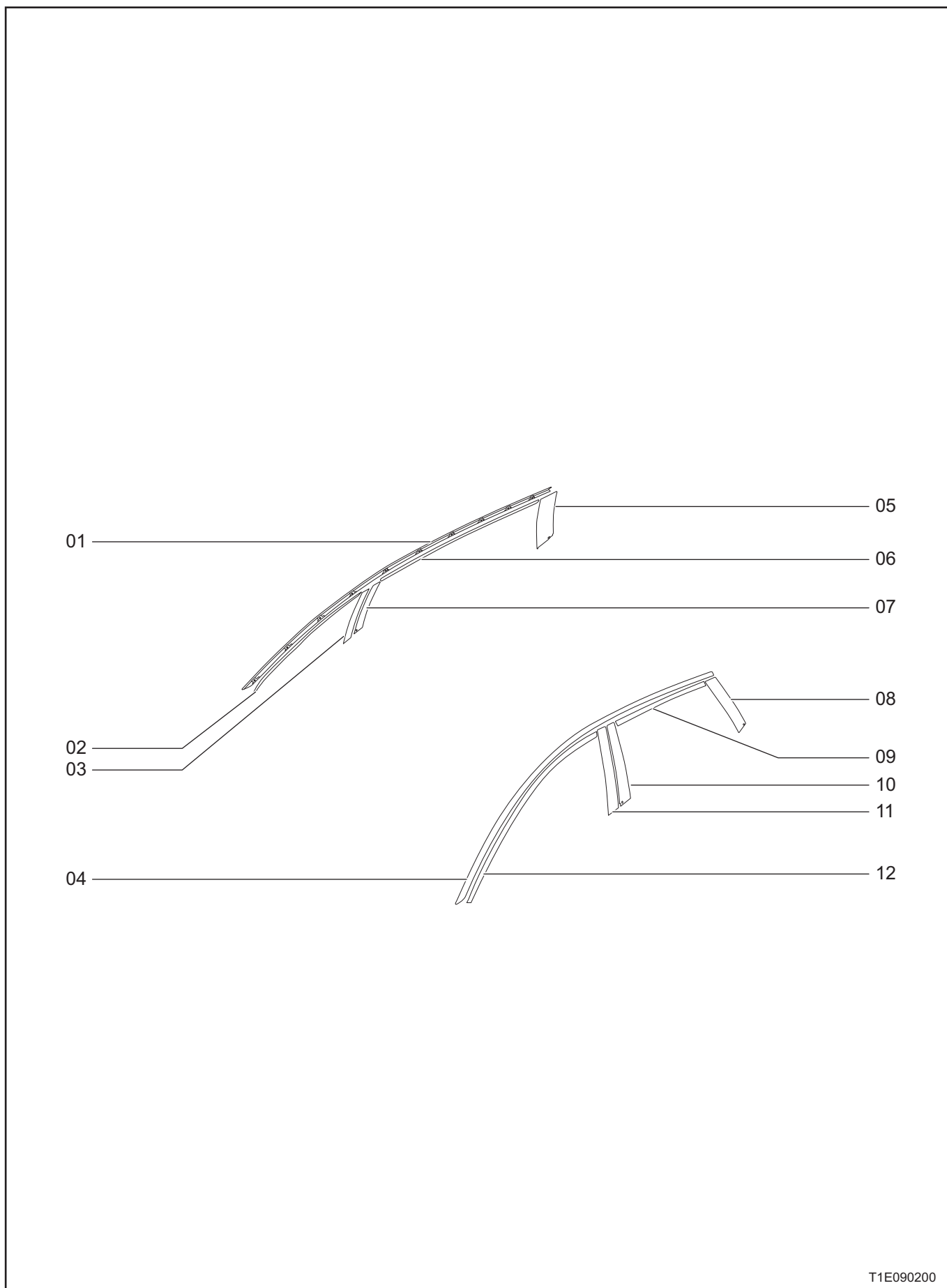


No.	Part No.	Station No.	Station Name	
01	609000506AA	T1EKKK90005062701	Remove and reinstall Tire pressure label	
02	609000509AA	T1EKKK90005092701	Remove and reinstall TIGGO emblem	
03	J42-3921503	T1EKKK39215032701	Remove and reinstall CAC emblem (rear emblem)	
04	A21-3903111	T1EKKK39031112701	Remove and reinstall Fuel label	
05	609000351AA	T1EKKK90003512701	Remove and reinstall Chery automobile emblem	



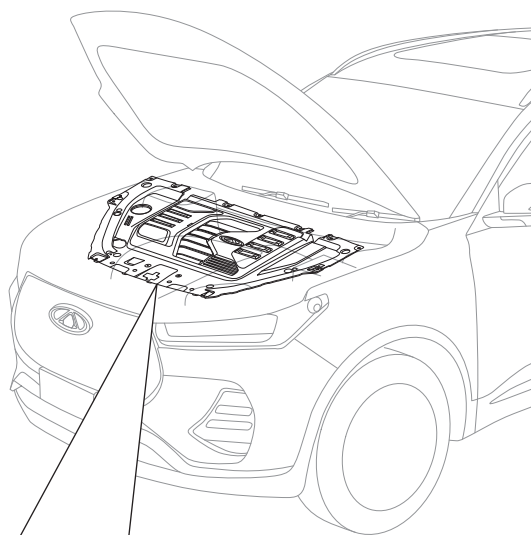
T1E090190

No.	Part No.	Station No.	Station Name	
01	609000540AA	T1EKKK90005402751	Remove and reinstall D-pillar trim panel assy LH	
		Ex: T1EKKK90005422751	Remove and reinstall Spoiler assy	
		Ex: T1EKKK30001252701	Remove and reinstall Back door UPR protector assy	
02	609000541AA	T1EKKK90005412751	Remove and reinstall D-pillar trim panel assy RH	
		Ex: T1EKKK90005422751	Remove and reinstall Spoiler assy	
		Ex: T1EKKK30001252701	Remove and reinstall Back door UPR protector assy	

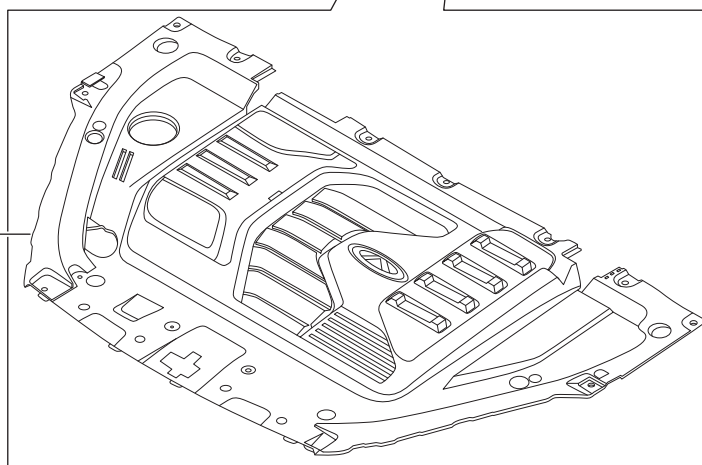


T1E090200

No.	Part No.	Station No.	Station Name	
01	609000523AA	T1EKKK90005232701	Remove and reinstall FR quarter panel trim strip assy RH	
02	609000096AAABK	T1EKKK90000962701	Remove and reinstall FR door UPR black film RH	
03	609000098AAABK	T1EKKK90000982701	Remove and reinstall FR door RR black film RH	
04	609000521AA	T1EKKK90005212701	Remove and reinstall FR quarter panel trim strip assy LH	
05	609000516AA	T1EKKK90005162701	Remove and reinstall RR door RR black film RH	
06	609000515AA	T1EKKK90005152701	Remove and reinstall RR door UPR black film RH	
07	609000514AA	T1EKKK90005142751 Ex: T1EKKK40004542701	Remove and reinstall RR door FR black film RH Remove and reinstall RR door OTR weatherstrip RH	
08	609000513AA	T1EKKK90005132701	Remove and reinstall RR door RR black film LH	
09	609000512AA	T1EKKK90005122701	Remove and reinstall RR door UPR black film LH	
10	609000511AA	T1EKKK90005112751 Ex: T1EKKK40004532701	Remove and reinstall RR door FR black film LH Remove and reinstall RR door INR weatherstrip LH	
11	609000097AAABK	T1EKKK90000972701	Remove and reinstall FR door RR black film LH	
12	609000095AAABK	T1EKKK90000952701	Remove and reinstall FR door UPR black film LH	

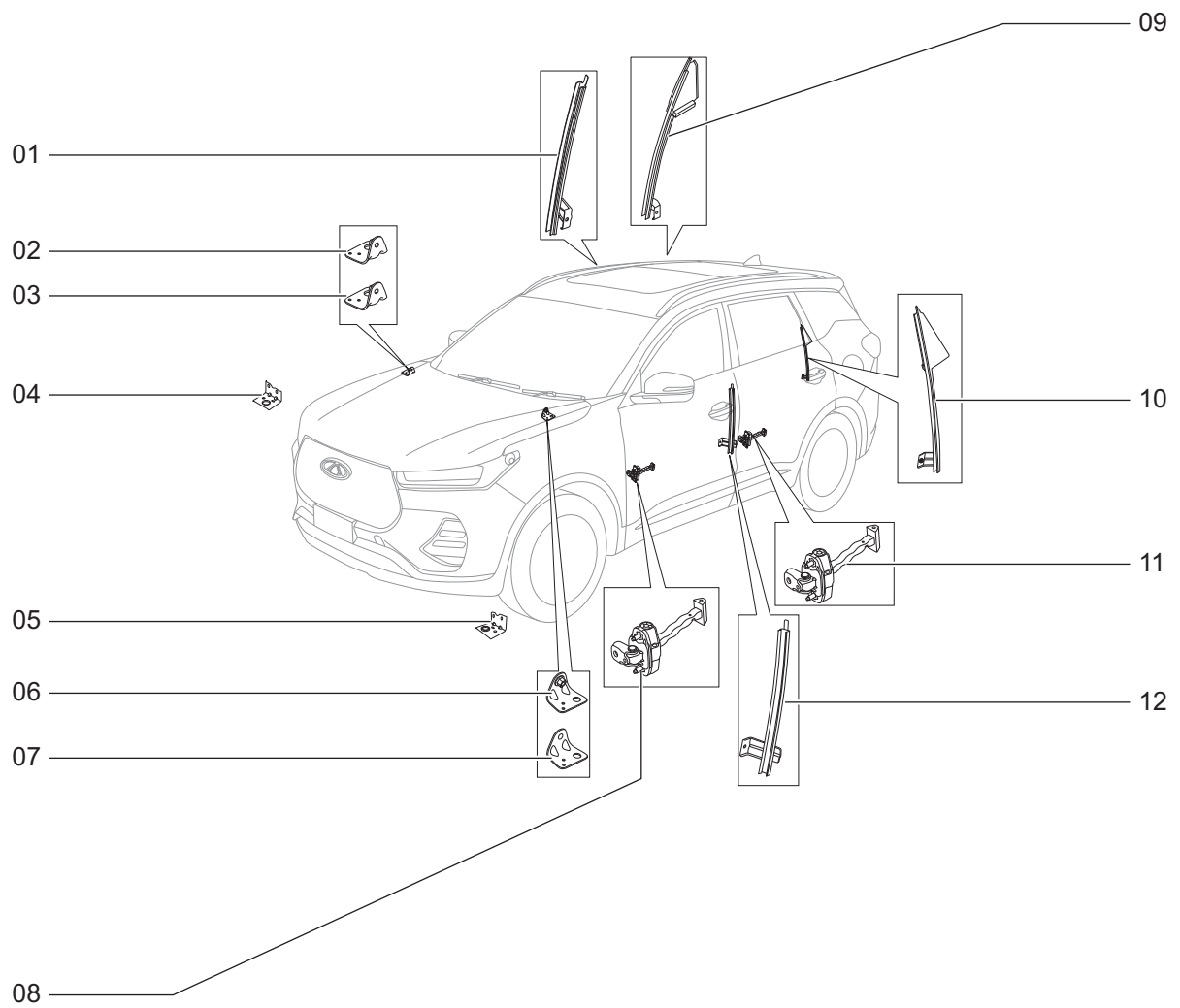


01



T1E090210

No.	Part No.	Station No.	Station Name	
01	609000793AA	T1EKKK90007932701	Remove and reinstall Engine hood trim cover assy	



T1E090220

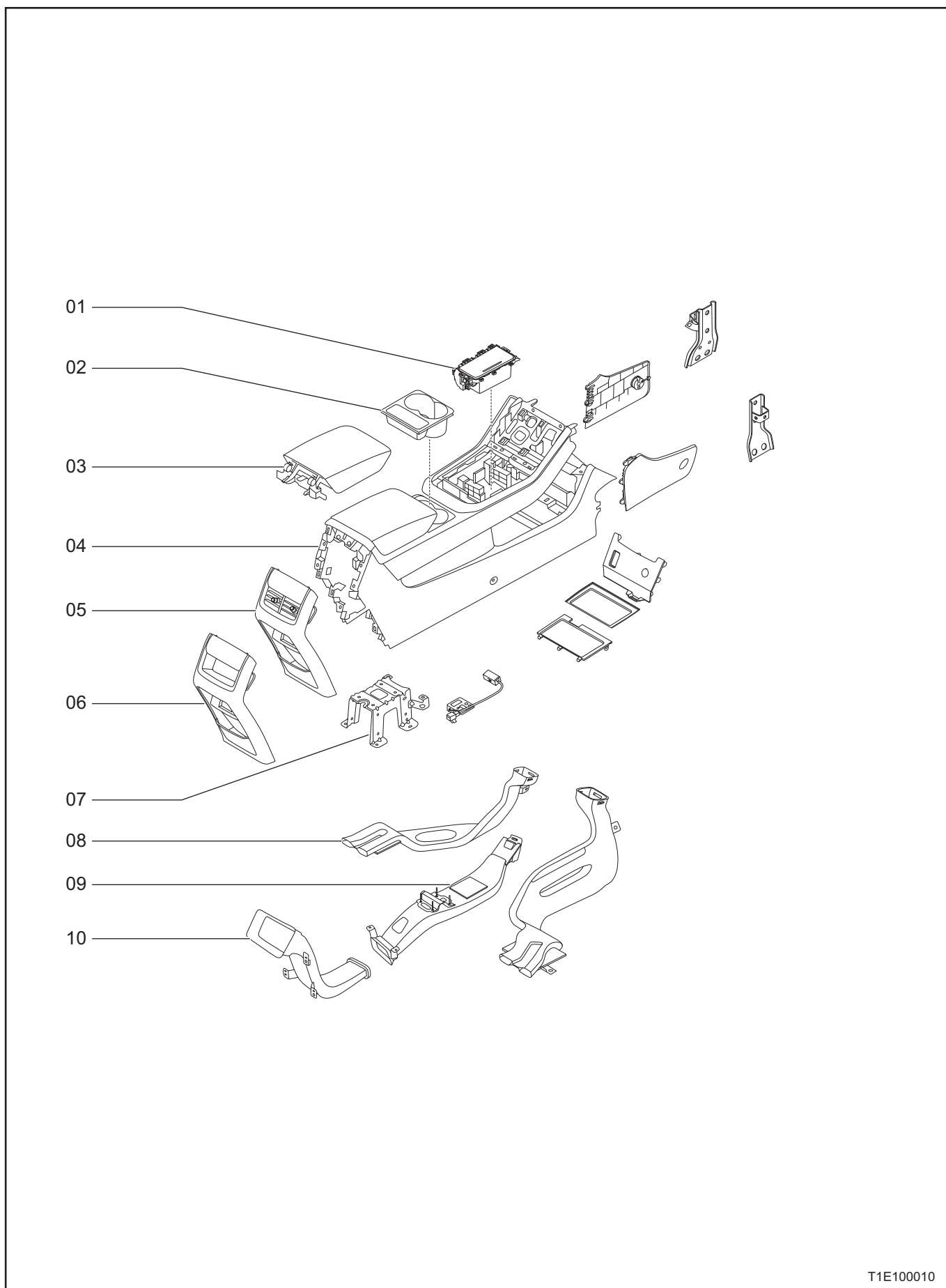


No.	Part No.	Station No.	Station Name	
01	J68-6101120	T1EKKK61011202751	Remove and reinstall FR door glass RH RR LWR rail assy	
		Ex: T1EKKK50001162751	Remove and reinstall FR door glass assy RH	
		Ex: T1EKKK30014532701	Remove and reinstall FR door protector assy RH	
02	T15-8403112	T1EKKK84031122701	Remove and reinstall Engine hood air spring mounting bracket RH	
03	T15-8403120	T1EKKK84031202701	Remove and reinstall Engine hood air spring mounting bracket assy RH	
04	501001901AA	T1EKKK10019012751	Remove and reinstall Tank UPR mounting bracket RH	
		Ex: T1EKKK20005862701	Remove and reinstall FR bumper body assy	
05	501001899AA	T1EKKK10018992751	Remove and reinstall Tank UPR mounting bracket LH	
		Ex: T1EKKK20005862701	Remove and reinstall FR bumper body assy	
06	T15-8403110	T1EKKK84031102701	Remove and reinstall Engine hood air spring mounting bracket assy LH	
07	T15-8403111	T1EKKK84031112701	Remove and reinstall Engine hood air spring mounting bracket LH	
08	J68-6109110	T1EKKK61091102751	Remove and reinstall FR door check assy	
		Ex: T1EKKK30014522701	Remove and reinstall FR door protector assy LH	
09	551000549AA	T1EKKK10005492751	Remove and reinstall RR door glass RH RR LWR rail assy	
		Ex: T1EKKK50000852751	Remove and reinstall RR door glass assy RH	
		Ex: T1EKKK30014182701	Remove and reinstall RR door protector assy RH	
10	551000548AA	T1EKKK10005482751	Remove and reinstall RR door glass LH RR LWR rail assy	
		Ex: T1EKKK50000842751	Remove and reinstall RR door glass assy LH	
		Ex: T1EKKK30014172701	Remove and reinstall RR door protector assy LH	
11	J68-6209110	T1EKKK62091102751	Remove and reinstall RR door check assy	
		Ex: T1EKKK30014172701	Remove and reinstall RR door protector assy LH	
12	J68-6101110	T1EKKK61011102751	Remove and reinstall FR door glass LH RR LWR rail assy	
		Ex: T1EKKK50001152751	Remove and reinstall FR door glass assy LH	
		Ex: T1EKKK30014522701	Remove and reinstall FR door protector assy LH	



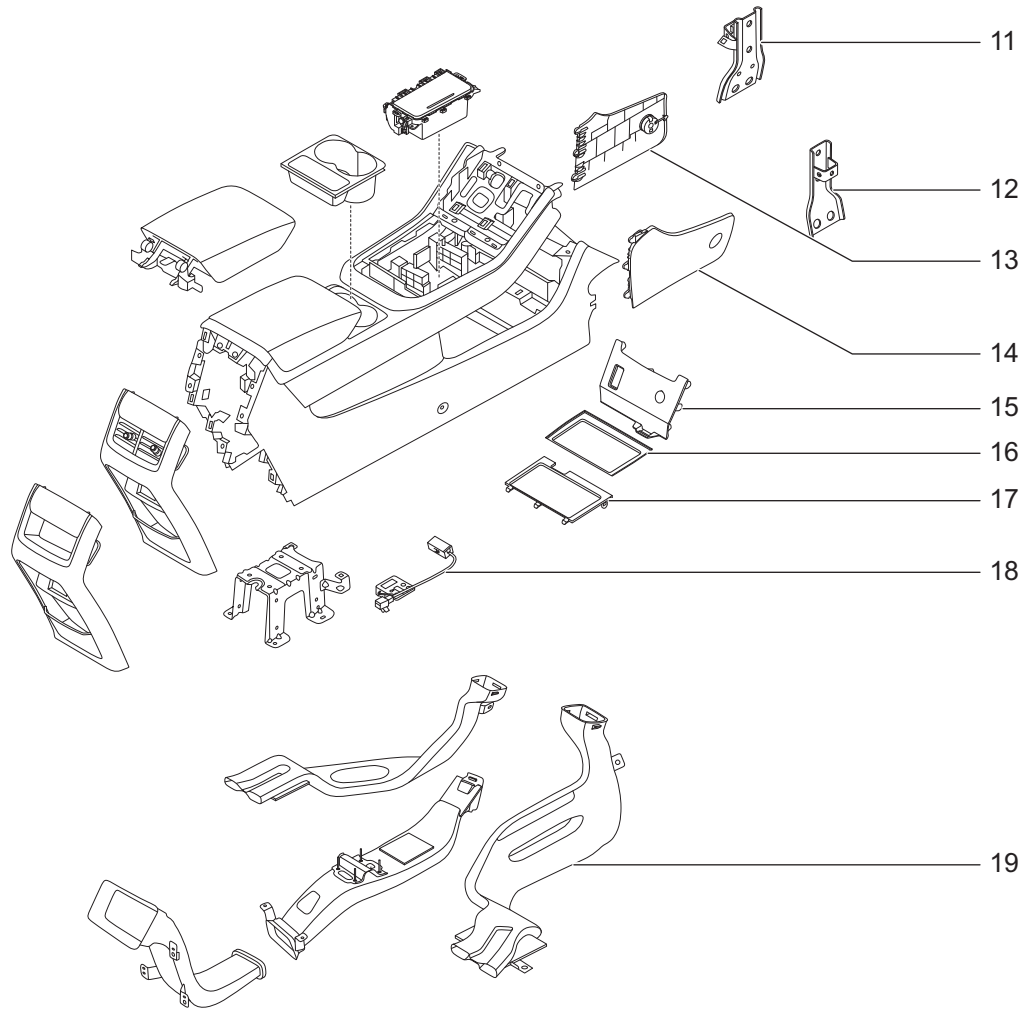
## BODY INTERIOR

Auxiliary dashboard.....	10-2
Dashboard crossbeam.....	10-6
Dashboard.....	10-8
FR seat .....	10-12
Second row of seats .....	10-16
Roof interior trim .....	10-18
Floor trim.....	10-20
Quarter panel interior trim .....	10-22
RR luggage compartment interior trim .....	10-24
FR door protector LH .....	10-26
FR door protector RH.....	10-28
RR door protector LH.....	10-30
RR door protector RH .....	10-32
RR window interior trim.....	10-34
Internal noise handling unit .....	10-36
Steering wheel assy .....	10-38
Seat belt assy .....	10-40
Airbag assy .....	10-42
Sealing system .....	10-44



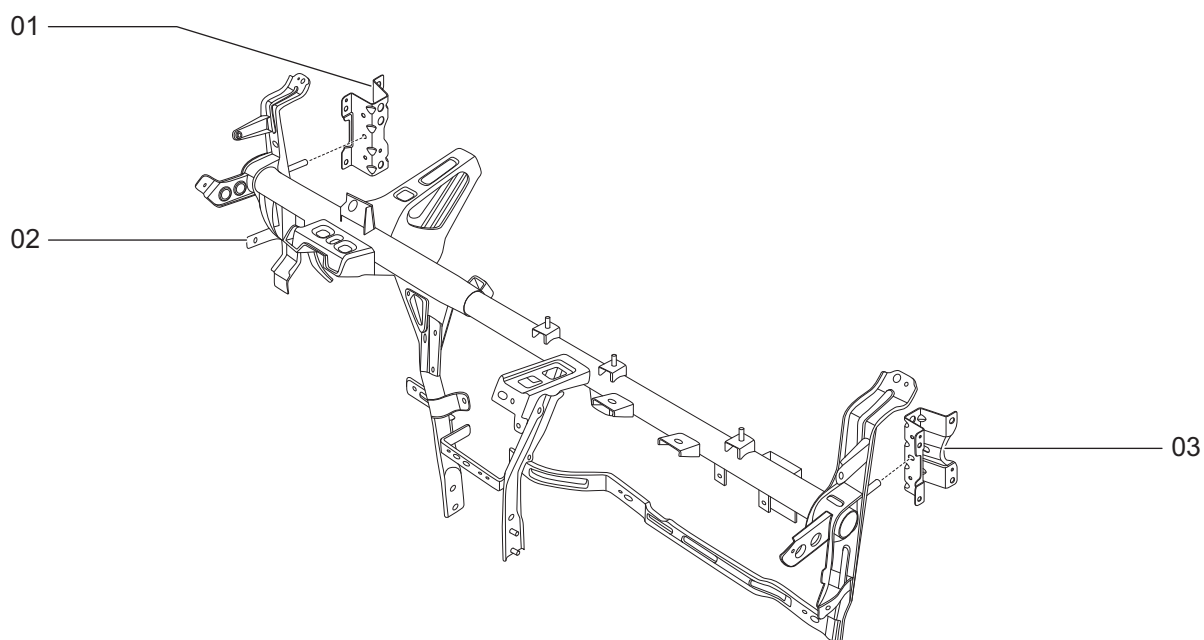
T1E100010

No.	Part No.	Station No.	Station Name
01	401000703AA	T1EKKK10007032701	Remove and reinstall UPR cover plate assy
02	401001091AA	T1EKKK10010912701	Remove and reinstall Sliding type cup holder
03	401001287AA	T1EKKK10012872701	Remove and reinstall Auxiliary dashboard armrest assy
04	401001125AA	T1EKKK10011252701	Remove and reinstall Auxiliary dashboard assy
	401001127AA	T1EKKK10011272701	Remove and reinstall Auxiliary dashboard assy
05	401000787AA	T1EKKK10007872701	Remove and reinstall Auxiliary fascia console RR panel assy
06	401000701AA	T1EKKK10007012701	Remove and reinstall Auxiliary fascia console RR panel assy
07	401000336AA	T1EKKK10003362751	Remove and reinstall Armrest box bracket
		Ex: T1EKKK10011252701	Remove and reinstall Auxiliary dashboard assy
08	T15-5305550	T1EKKK53055502751	Remove and reinstall RR foot vent pipe assy LH
		Ex: T1EKKK20024362701	Remove and reinstall FR seat assy LH
09	401000705AA	T1EKKK10007052751	Remove and reinstall RR face duct FR end
		Ex: T1EKKK10011252701	Remove and reinstall Auxiliary dashboard assy
10	401000706AA	T1EKKK10007062751	Remove and reinstall RR face vent tube RR end assy
		Ex: T1EKKK10007872701	Remove and reinstall Auxiliary fascia console RR panel assy



T1E100011

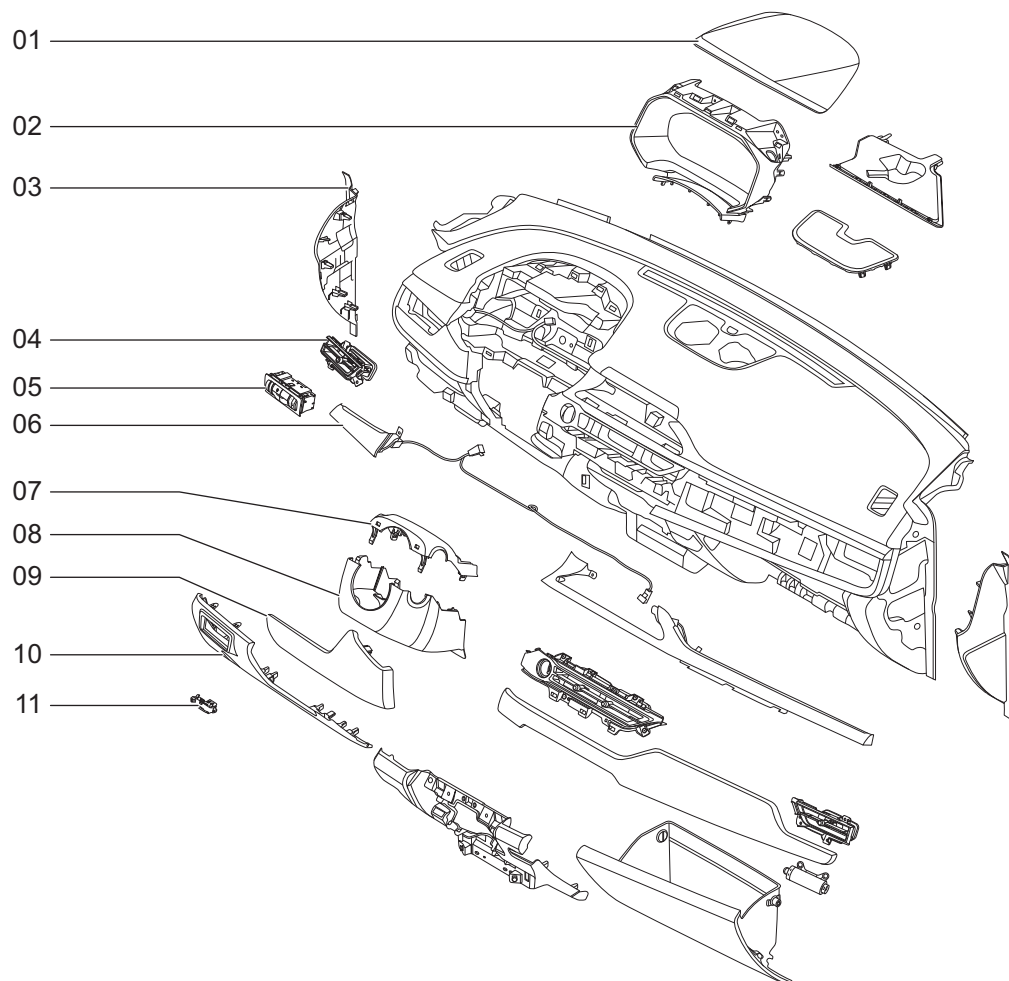
No.	Part No.	Station No.	Station Name	
11	T15-5301020	T1EKKK53010202751	Remove and reinstall MD passage connecting bracket assy LH	
		Ex: T1EKKK10011252701	Remove and reinstall Auxiliary dashboard assy	
12	T15-5301030	T1EKKK53010302751	Remove and reinstall MD passage connecting bracket assy RH	
		Ex: T1EKKK10011252701	Remove and reinstall Auxiliary dashboard assy	
13	401000330AA	T1EKKK10003302701	Remove and reinstall FR auxiliary fascia console protector assy LH	
14	401000331AA	T1EKKK10003312701	Remove and reinstall FR auxiliary fascia console protector assy RH	
15	401000709AA	T1EKKK10007092701	Remove and reinstall USB panel assy	
16	401000835AA	T1EKKK10008352701	Remove and reinstall Auxiliary fascia console FR storage box rubber cushion	
17	401000834AA	T1EKKK10008342701	Remove and reinstall Auxiliary fascia console FR storage box	
18	401001088AA	T1EKKK10010882751	Remove and reinstall Auxiliary dashboard ambient light	
		Ex: T1EKKK80004322701	Remove and reinstall Auxiliary dashboard switch and cover plate assy	
19	T15-5305560	T1EKKK53055602751	Remove and reinstall RR foot vent pipe assy RH	
		Ex: T1EKKK20024372701	Remove and reinstall FR seat assy RH	



T1E100020

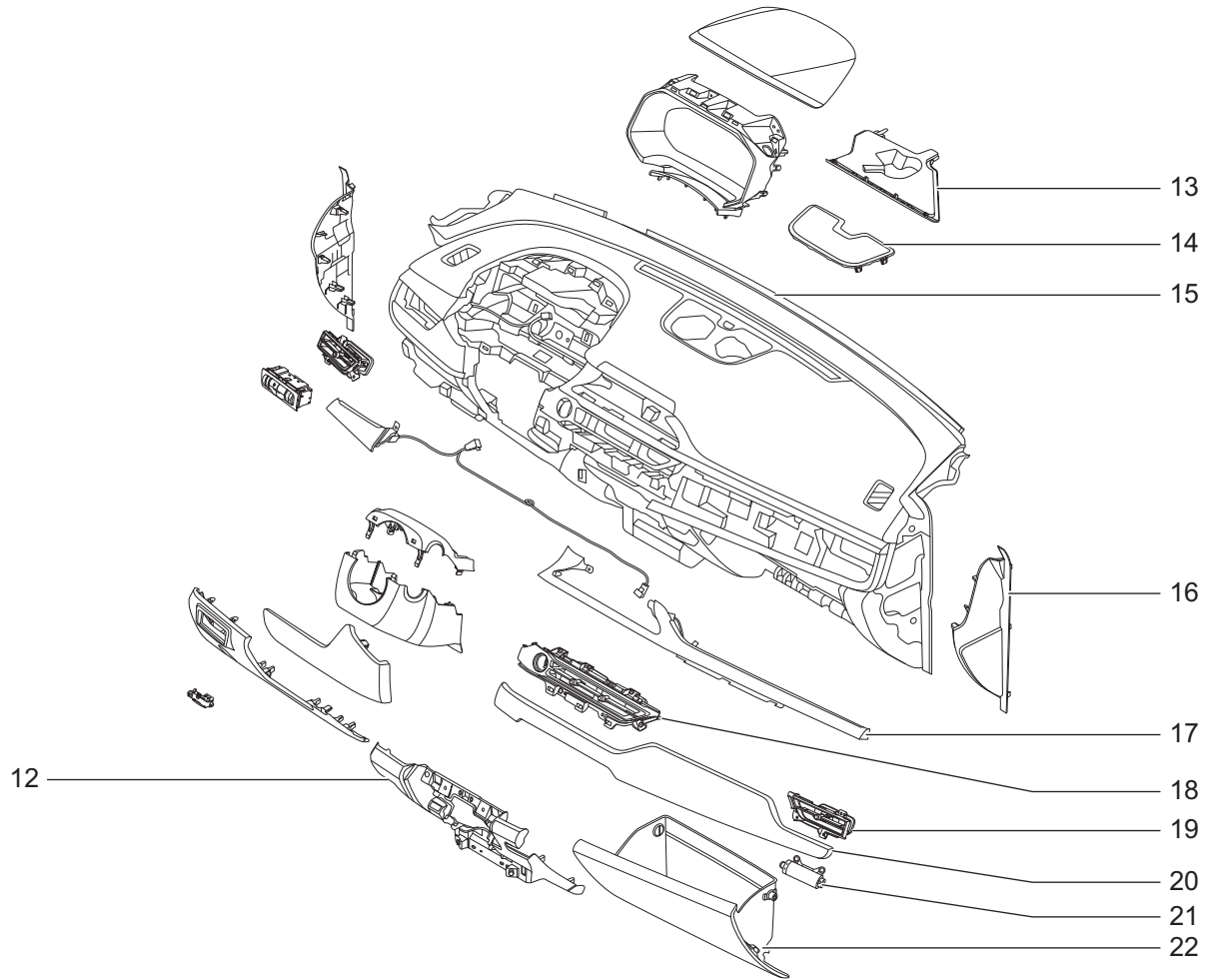


No.	Part No.	Station No.	Station Name	
01	T15-5300230	T1EKKK53002302751	Remove and reinstall Dashboard crossbeam mounting bracket assy LH	
		Ex: T1EKKK10008672751	Remove and reinstall dashboard assy	
		Ex: T1EKKK10011252701	Remove and reinstall Auxiliary dashboard assy	
02	401000688AA	T1EKKK10006882751	Remove and reinstall dashboard crossbeam body assy	
		Ex: T1EKKK10008672751	Remove and reinstall dashboard assy	
		Ex: T1EKKK10011252701	Remove and reinstall Auxiliary dashboard assy	
03	T15-5300240	T1EKKK53002402751	Remove and reinstall Dashboard crossbeam mounting bracket assy RH	
		Ex: T1EKKK10008672751	Remove and reinstall dashboard assy	
		Ex: T1EKKK10011252701	Remove and reinstall Auxiliary dashboard assy	



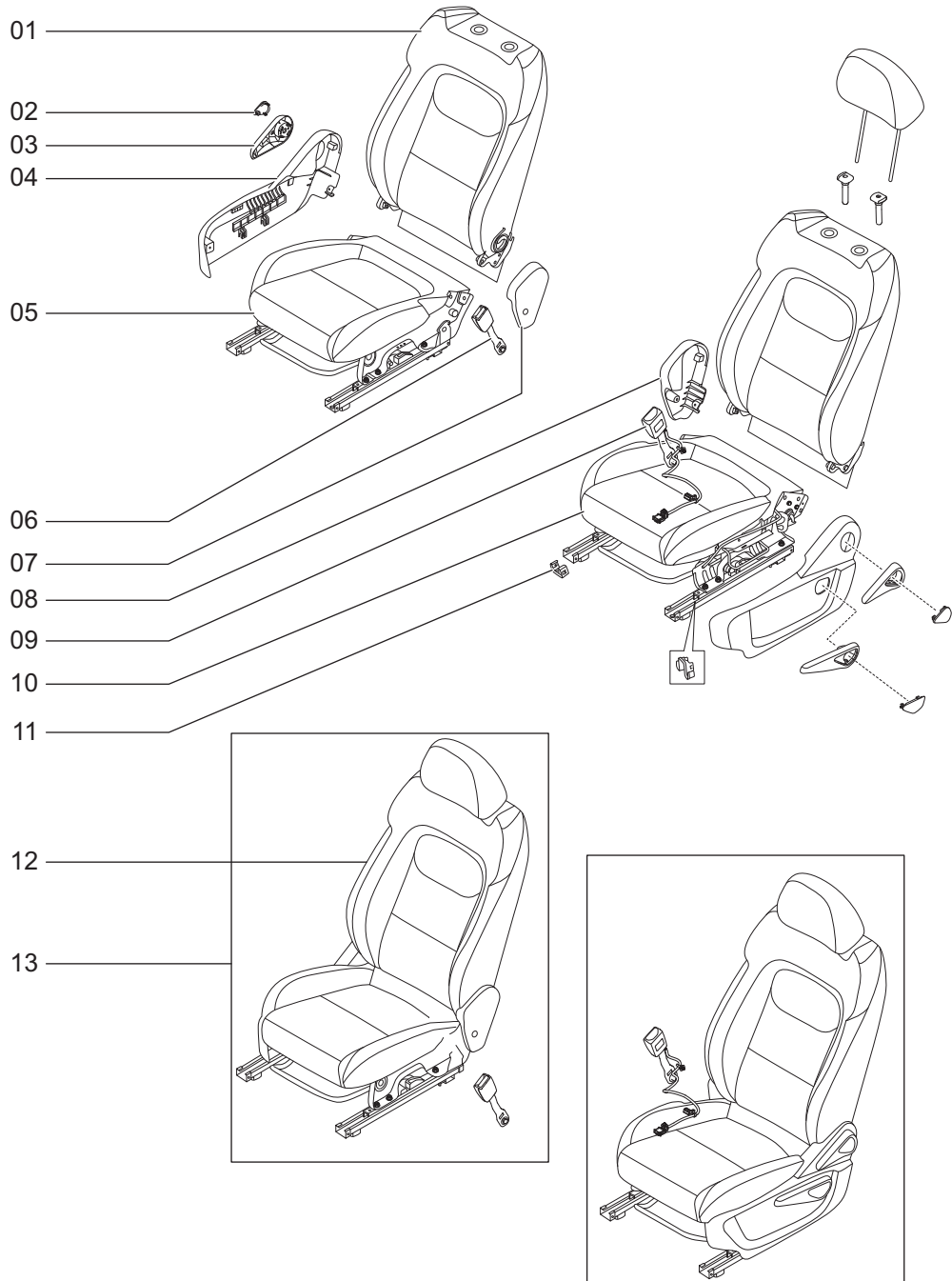
T1E100030

No.	Part No.	Station No.	Station Name	
01	401001037AA	T1EKKK10010372701	Remove and reinstall Instrument cluster FR cover	
	401000718AA	T1EKKK10007182701	Remove and reinstall Instrument cluster FR cover	
02	401000930AA	T1EKKK10009302751	Remove and reinstall Instrument cluster rim frame assy	
		Ex: T1EKKK10010372701	Remove and reinstall Instrument cluster FR cover	
03	401000691AA	T1EKKK10006912701	Remove and reinstall Dashboard end panel assy LH	
04	401001120AA	T1EKKK10011202751	Remove and reinstall LH A/C outlet assy	
		Ex: T1EKKK10009302751	Remove and reinstall Instrument cluster rim frame assy	
		Ex: T1EKKK10010372701	Remove and reinstall Instrument cluster FR cover	
05	808000237AA	T1EKKK80002372701	Remove and reinstall Adjustment switch assy	
06	401001092AA	T1EKKK10010922701	Remove and reinstall Instrument panel trim panel assy LH (with ambient light)	
07	401000694AA	T1EKKK10006942701	Remove and reinstall Combination switch UPR cover	
08	401000316AA	T1EKKK10003162701	Remove and reinstall Combination switch LWR cover assy	
09	401001291AA	T1EKKK10012912701	Remove and reinstall Instrument panel trim panel assy LH (black and red)	
10	401000314AA	T1EKKK10003142701	Remove and reinstall Dashboard LWR protector assy LH	
	401000245AAABK	T1EKKK10002452701	Remove and reinstall LWR protector assy LH	
11	401000999AA	T1EKKK10009992701	Remove and reinstall Engine hood handle assy	



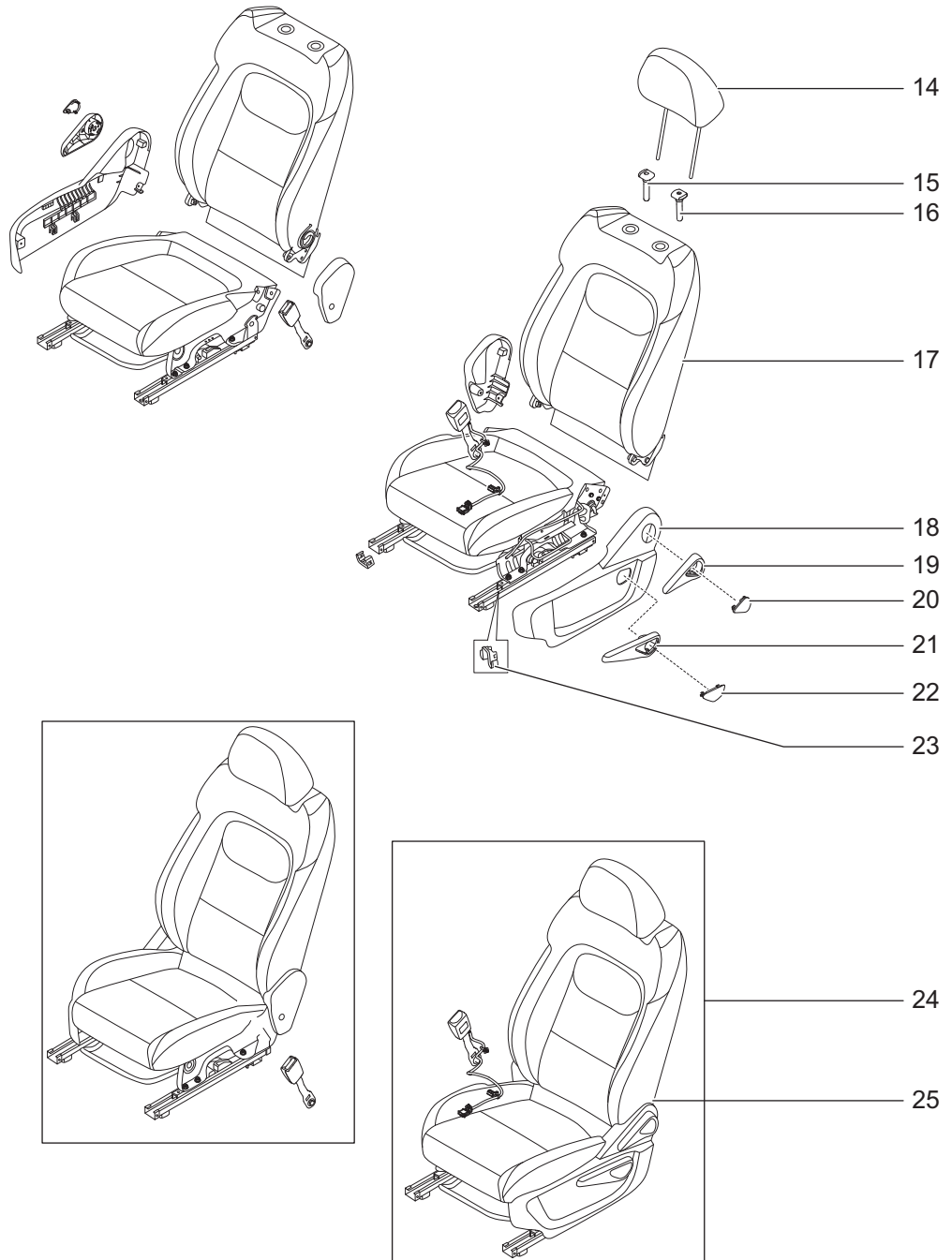
T1E100031

No.	Part No.	Station No.	Station Name	
12	401000800AA	T1EKKK10008002751	Remove and reinstall MD LWR protector assy	
		Ex: T1EKKK10011252701	Remove and reinstall Auxiliary dashboard assy	
13	401001002AA	T1EKKK10010022701	Remove and reinstall Instrument panel muffler plate assy RH	
14	401000736AA	T1EKKK10007362701	Remove and reinstall Speaker cover assy	
15	401000867AA	T1EKKK10008672751	Remove and reinstall dashboard assy	
		Ex: T1EKKK10011252701	Remove and reinstall Auxiliary dashboard assy	
	401001173AA	T1EKKK10011732751	Remove and reinstall dashboard assy	
		Ex: T1EKKK10011252701	Remove and reinstall Auxiliary dashboard assy	
16	401000692AA	T1EKKK10006922701	Remove and reinstall Dashboard end panel assy RH	
17	401001093AA	T1EKKK10010932701	Remove and reinstall Instrument panel trim panel assy RH (with ambient light)	
18	401001059AA	T1EKKK10010592701	Remove and reinstall MD A/C outlet assy	
19	401001121AA	T1EKKK10011212701	Remove and reinstall RH A/C outlet assy	
20	401001032AA	T1EKKK10010322701	Remove and reinstall MD control panel assy	
	401001030AA	T1EKKK10010302701	Remove and reinstall MD control panel assy	
21	T21-5306900	T1EKKK53069002701	Remove and reinstall Glove box damper	
22	401000311AA	T1EKKK10003112701	Remove and reinstall Glove box assy	



T1E100040

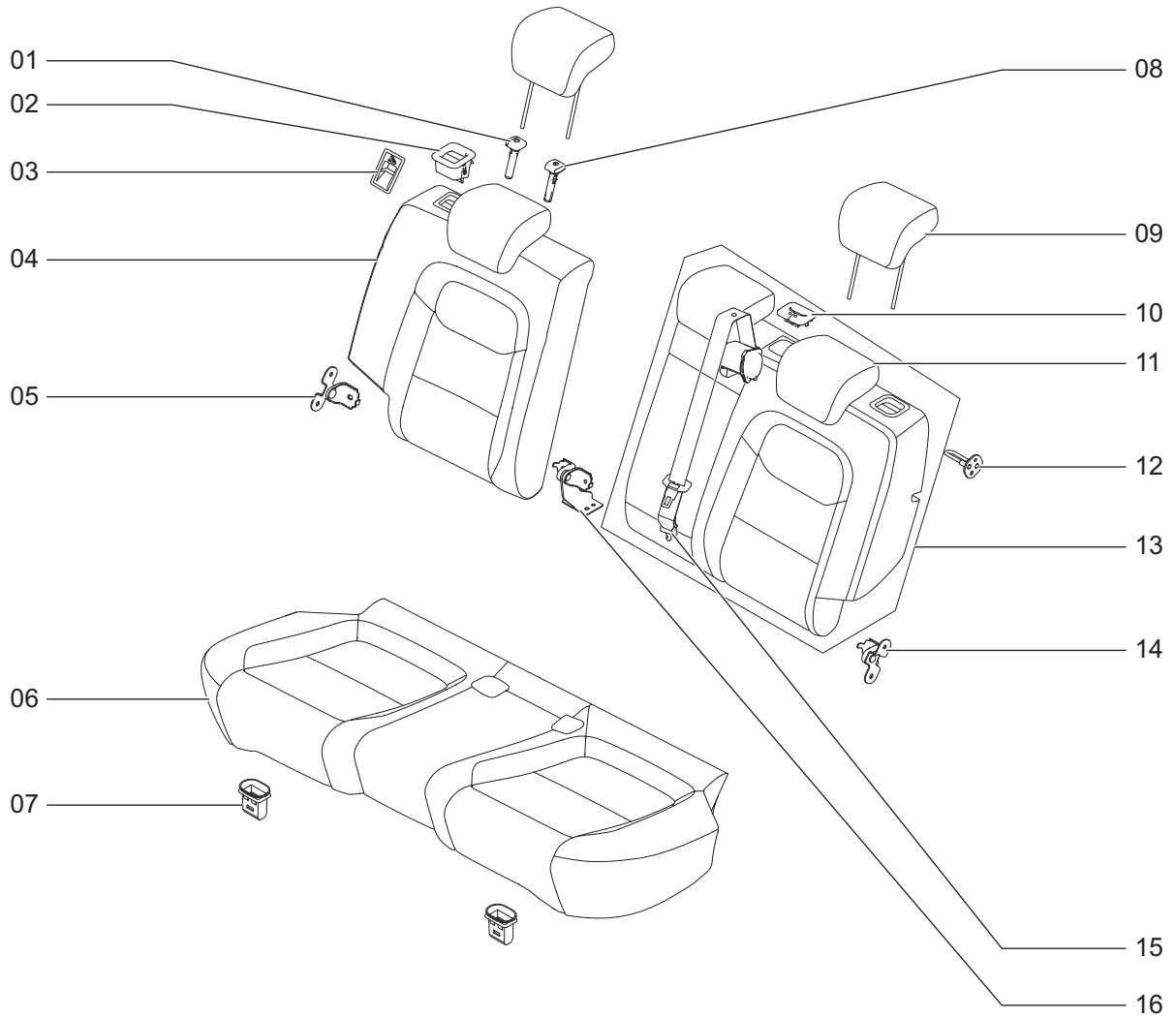
No.	Part No.	Station No.	Station Name	
01	402002810AAABK	T1EKKK20028102751 Ex: T1EKKK20024372701	Remove and reinstall FR seatback subassy RH Remove and reinstall FR seat assy RH	
02	402002791AA	T1EKKK20027912701	Remove and reinstall FR seat recliner handle cover RH	
03	402002789AA	T1EKKK20027892701	Remove and reinstall FR seat recliner handle RH	
04	402002783AA	T1EKKK20027832701	Remove and reinstall FR seat OTR trim panel RH	
05	402002817AAABK	T1EKKK20028172751 Ex: T1EKKK20024372701	Remove and reinstall FR seat cushion subassy RH Remove and reinstall FR seat assy RH	
06	406000211AA	T1EKKK60002112701	Remove and reinstall FR buckle assy RH	
07	402002785AA	T1EKKK20027852701	Remove and reinstall FR seat INR trim panel RH	
08	402002784AA	T1EKKK20027842701	Remove and reinstall FR seat INR trim panel LH	
09	406000210AA	T1EKKK60002102701	Remove and reinstall FR buckle assy LH	
10	402002814AAABK	T1EKKK20028142751 Ex: T1EKKK20024362701	Remove and reinstall FR seat cushion subassy LH Remove and reinstall FR seat assy LH	
11	402002821AA	T1EKKK20028212701	Remove and reinstall LWR rail front end cover	
12	402002437AA	T1EKKK20024372701	Remove and reinstall FR seat assy RH	
13	402002443AACBK	T1EKKK20024432701	Remove and reinstall FR seat belt buckle assy RH	
	402003373AACBK	T1EKKK20033732701	Remove and reinstall FR seat belt buckle assy RH	



T1E100041

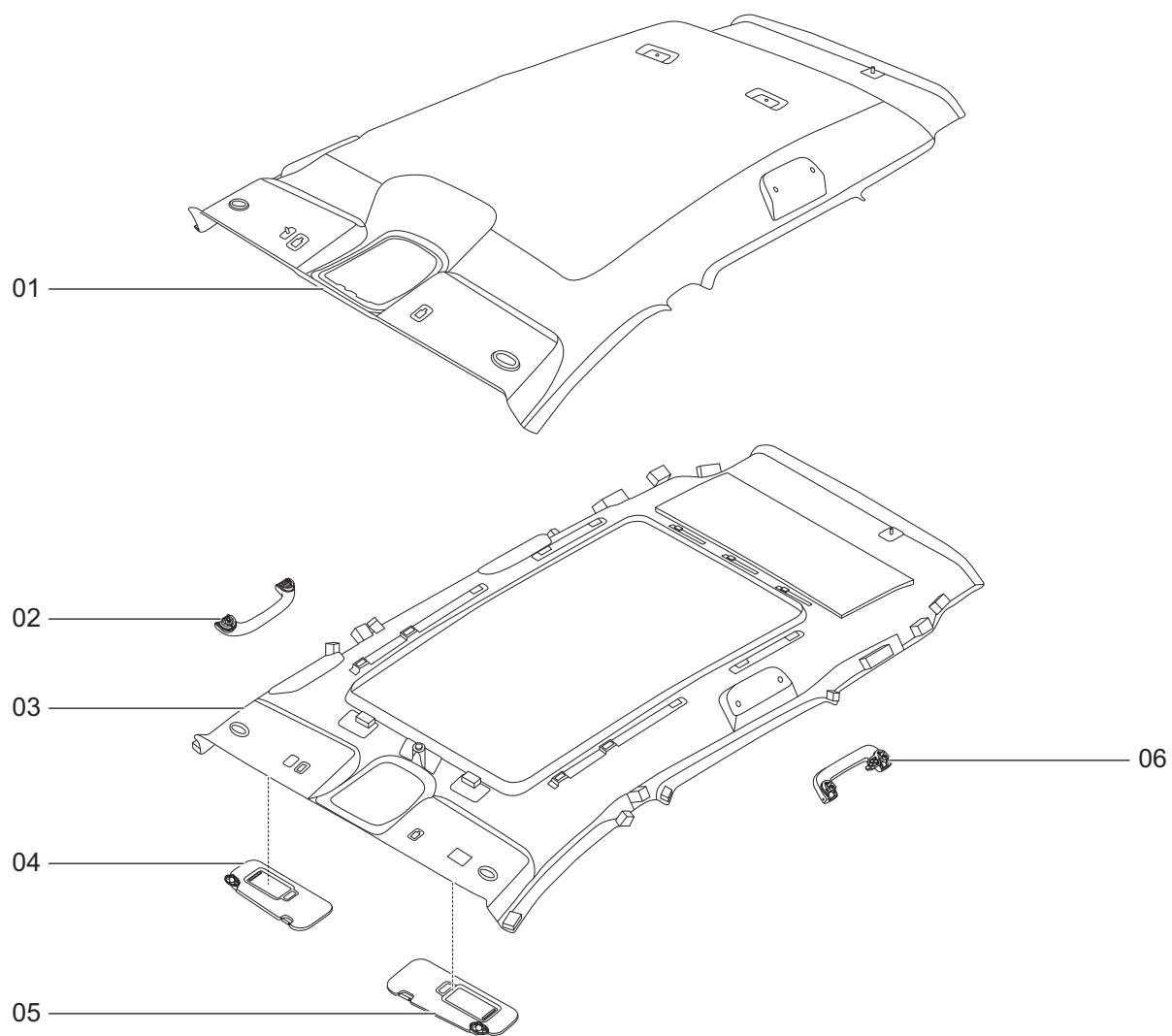


No.	Part No.	Station No.	Station Name	
14	402002798AAABK	T1EKKK20027982701	Remove and reinstall T1E FR headrest assy	
15	402002804AA	T1EKKK20028042701	Remove and reinstall Headrest sleeve assy	
16	402002803AA	T1EKKK20028032701	Remove and reinstall Headrest sleeve assy	
17	402002807AAABK	T1EKKK20028072751	Remove and reinstall FR seatback subassy LH	
		Ex: T1EKKK20024362701	Remove and reinstall FR seat assy LH	
18	402002782AA	T1EKKK20027822701	Remove and reinstall FR seat OTR trim panel LH	
19	402002788AA	T1EKKK20027882701	Remove and reinstall FR seat recliner handle LH	
20	402002790AA	T1EKKK20027902701	Remove and reinstall FR seat recliner handle cover LH	
21	402002794AA	T1EKKK20027942701	Remove and reinstall FR seat height adjustment release handle LH	
22	402002795AA	T1EKKK20027952701	Remove and reinstall FR seat height adjustment handle cover LH	
23	402002822AA	T1EKKK20028222701	Remove and reinstall UPR rail front end cover	
24	402002442AACBK	T1EKKK20024422701	Remove and reinstall FR seat belt buckle assy LH	
	402003372AACBK	T1EKKK20033722701	Remove and reinstall FR seat belt buckle assy LH	
25	402002436AA	T1EKKK20024362701	Remove and reinstall FR seat assy LH	



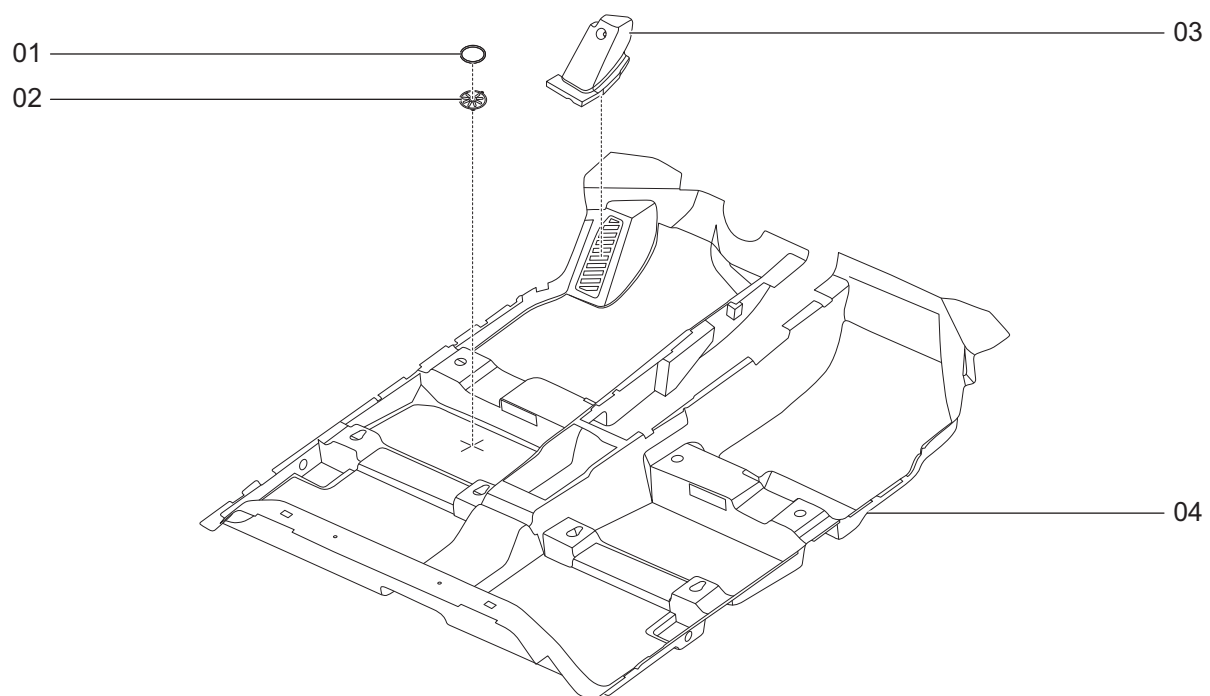
T1E100050

No.	Part No.	Station No.	Station Name	
01	402002801AA	T1EKKK20028012701	Remove and reinstall RR headrest sleeve assy	
02	402002792AA	T1EKKK20027922701	Remove and reinstall Release handle cover	
03	402002793AA	T1EKKK20027932701	Remove and reinstall TOP TETHER cover	
04	402001324AACBK	T1EKKK20013242701	Remove and reinstall RR seatback assy RH	
05	T15-7005080	T1EKKK70050802751	Remove and reinstall RR seatback connecting bracket assy RH	
		Ex: T1EKKK30017992701	Remove and reinstall Pillar C LWR protector assy RH	
06	402001322AACBK	T1EKKK20013222701	Remove and reinstall RR seat cushion assy	
07	B12-7003030	T1EKKK70030302701	Remove and reinstall Fixing seat assy	
08	402002802AA	T1EKKK20028022701	Remove and reinstall RR headrest sleeve assy	
09	402002799AAABK	T1EKKK20027992701	Remove and reinstall RR headrest assy LH/RH	
10	402002805AA	T1EKKK20028052701	Remove and reinstall Seat belt guide cover	
11	402002438AA	T1EKKK20024382701	Remove and reinstall RR seatback assy LH	
12	T15-7002050	T1EKKK70020502751	Remove and reinstall RR seatback hook assy LH	
		Ex: T1EKKK30017982701	Remove and reinstall Pillar C LWR protector assy LH	
13	402002444AACBK	T1EKKK20024442701	Remove and reinstall RR seat belt buckle assy LH	
14	T15-7005070	T1EKKK70050702751	Remove and reinstall RR seatback connecting bracket assy LH	
		Ex: T1EKKK30017982701	Remove and reinstall Pillar C LWR protector assy LH	
15	406000171AA	T1EKKK60001712701	Remove and reinstall RR MD seat belt assy	
16	T15-7005050	T1EKKK70050502701	Remove and reinstall RR seatback MD connecting bracket assy	



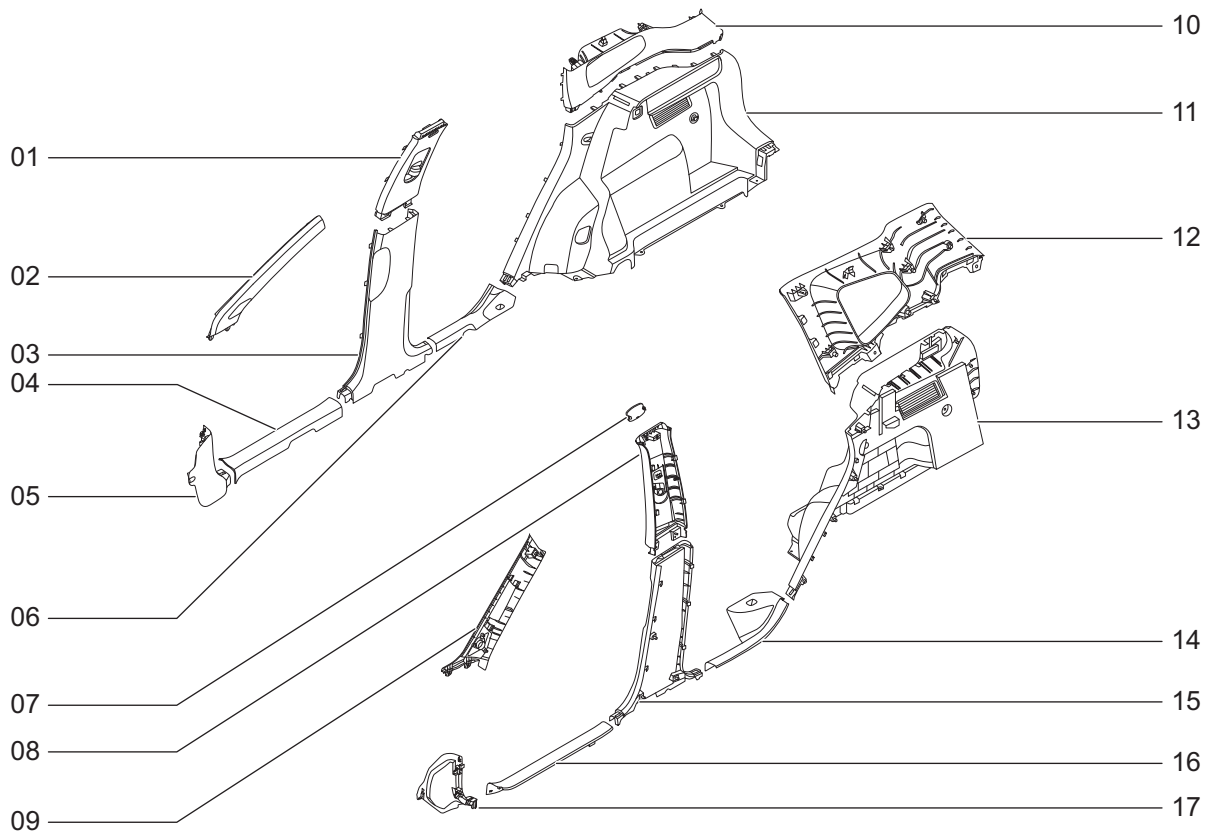
T1E100060

No.	Part No.	Station No.	Station Name	
01	403001329AAAGY	T1EKKK30013292701	Remove and reinstall Ceiling assy	
02	J60-6906010DA	T1EKKK69060102701	Remove and reinstall Passenger armrest assy	
03	403001328AAAGY	T1EKKK30013282701	Remove and reinstall Sunroof/Roof assy	
04	T15-8204020BB	T1EKKK82040202701	Remove and reinstall Sun visor assy RH	
	J68-8204020	T1EKKK82040202711	Remove and reinstall Sun visor assy RH	
05	J68-8204010	T1EKKK82040102701	Remove and reinstall Sun visor assy LH	
06	J60-7006010	T1EKKK70060102701	Remove and reinstall RR passenger armrest assy LH	



T1E100070

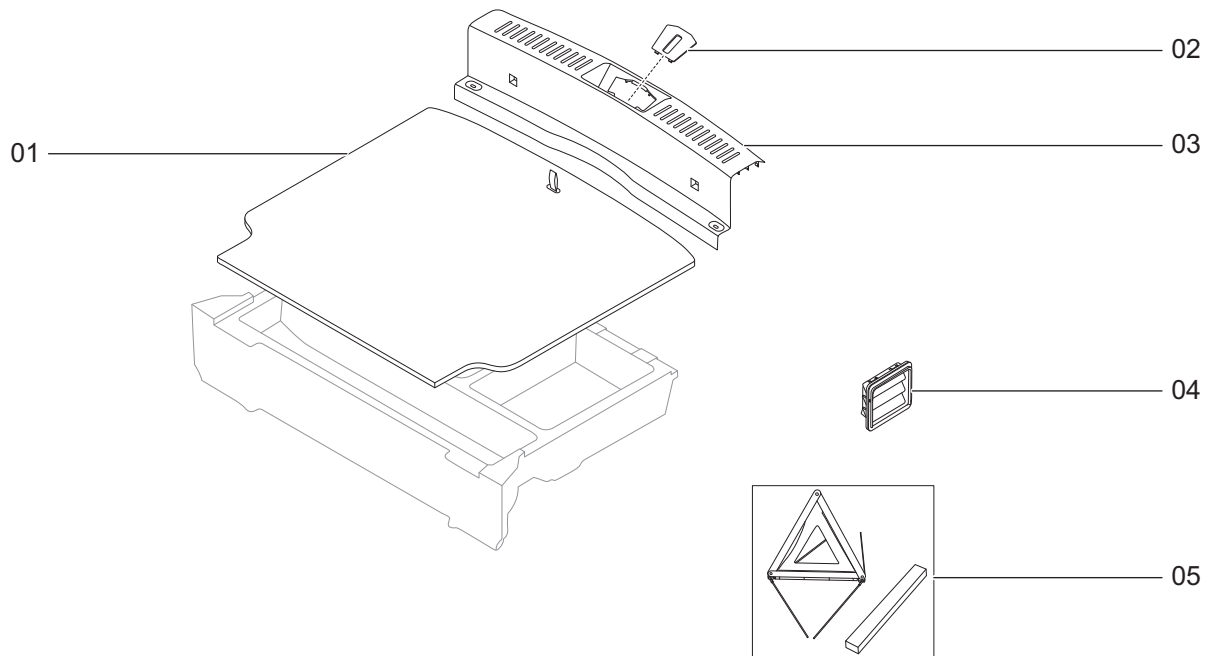
No.	Part No.	Station No.	Station Name	
01	J60-4102711	T1EKKK41027112751	Remove and reinstall Fuel pump cover seal strip	
		Ex: T1EKKK51070112751	Remove and reinstall Fuel pump cover	
		Ex: T1EKKK20013222701	Remove and reinstall RR seat cushion assy	
02	J60-5107011	T1EKKK51070112751	Remove and reinstall Fuel pump cover	
		Ex: T1EKKK20013222701	Remove and reinstall RR seat cushion assy	
03	T15-8206010	T1EKKK82060102701	Remove and reinstall Driver side pedal	
04	403001971AAABK	T1EKKK30019712701	Remove and reinstall FR floor carpet assy	



T1E100080

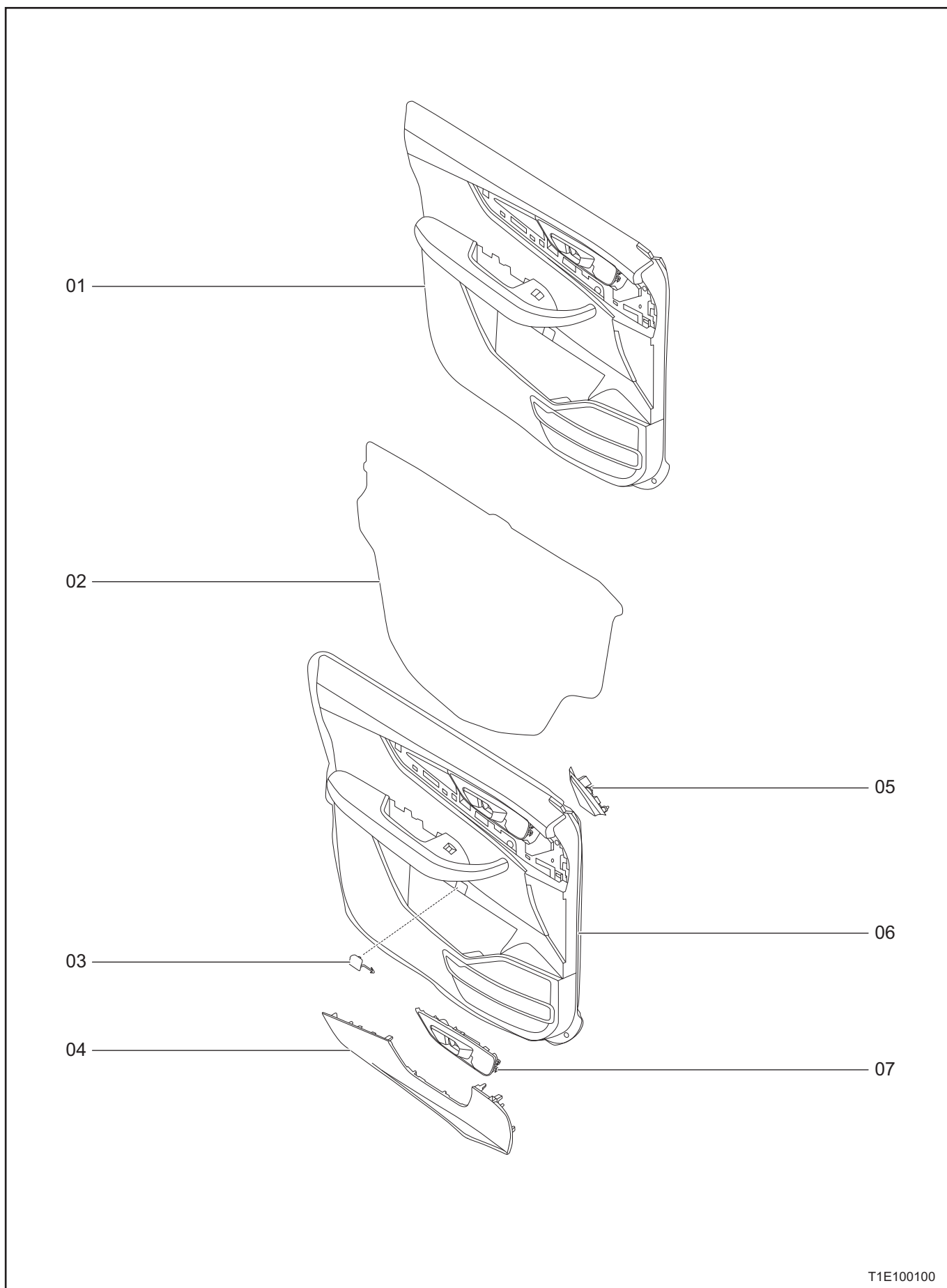


No.	Part No.	Station No.	Station Name
01	J68-5402060	T1EKKK54020602751 Ex: T1EKKK54020802701	Remove and reinstall Pillar B UPR protector assy RH Remove and reinstall Pillar B LWR protector assy RH
02	403001274AAAGY	T1EKKK30012742701	Remove and reinstall Pillar A UPR protector assy RH
03	J68-5402080	T1EKKK54020802701	Remove and reinstall Pillar B LWR protector assy RH
04	J68-5402320	T1EKKK54023202701	Remove and reinstall FR doorsill pressure panel assy RH
05	J68-5402040	T1EKKK54020402701	Remove and reinstall Pillar A LWR protector assy RH
06	403001373AAABK	T1EKKK30013732701	Remove and reinstall RR doorsill pressure panel assy RH
07	J68-5402057	T1EKKK54020572701	Remove and reinstall B-pillar block cover
08	J68-5402050	T1EKKK54020502751 Ex: T1EKKK54020702701	Remove and reinstall Pillar B UPR protector assy LH Remove and reinstall Pillar B LWR protector assy LH
09	403001273AAAGY	T1EKKK30012732701	Remove and reinstall Pillar A UPR protector assy LH
10	403001371AAAGY	T1EKKK30013712751 Ex: T1EKKK30017992701	Remove and reinstall Pillar C UPR protector assy RH Remove and reinstall Pillar C LWR protector assy RH
11	403001799AAABK	T1EKKK30017992701	Remove and reinstall Pillar C LWR protector assy RH
12	403001370AAAGY	T1EKKK30013702751 Ex: T1EKKK30017982701	Remove and reinstall Pillar C UPR protector assy LH Remove and reinstall Pillar C LWR protector assy LH
13	403001798AAABK	T1EKKK30017982701	Remove and reinstall Pillar C LWR protector assy LH
14	403001372AAABK	T1EKKK30013722701	Remove and reinstall RR doorsill pressure panel assy LH
15	J68-5402070	T1EKKK54020702701	Remove and reinstall Pillar B LWR protector assy LH
16	J68-5402310	T1EKKK54023102701	Remove and reinstall FR doorsill pressure panel assy LH
17	J68-5402030	T1EKKK54020302701	Remove and reinstall Pillar A LWR protector assy LH



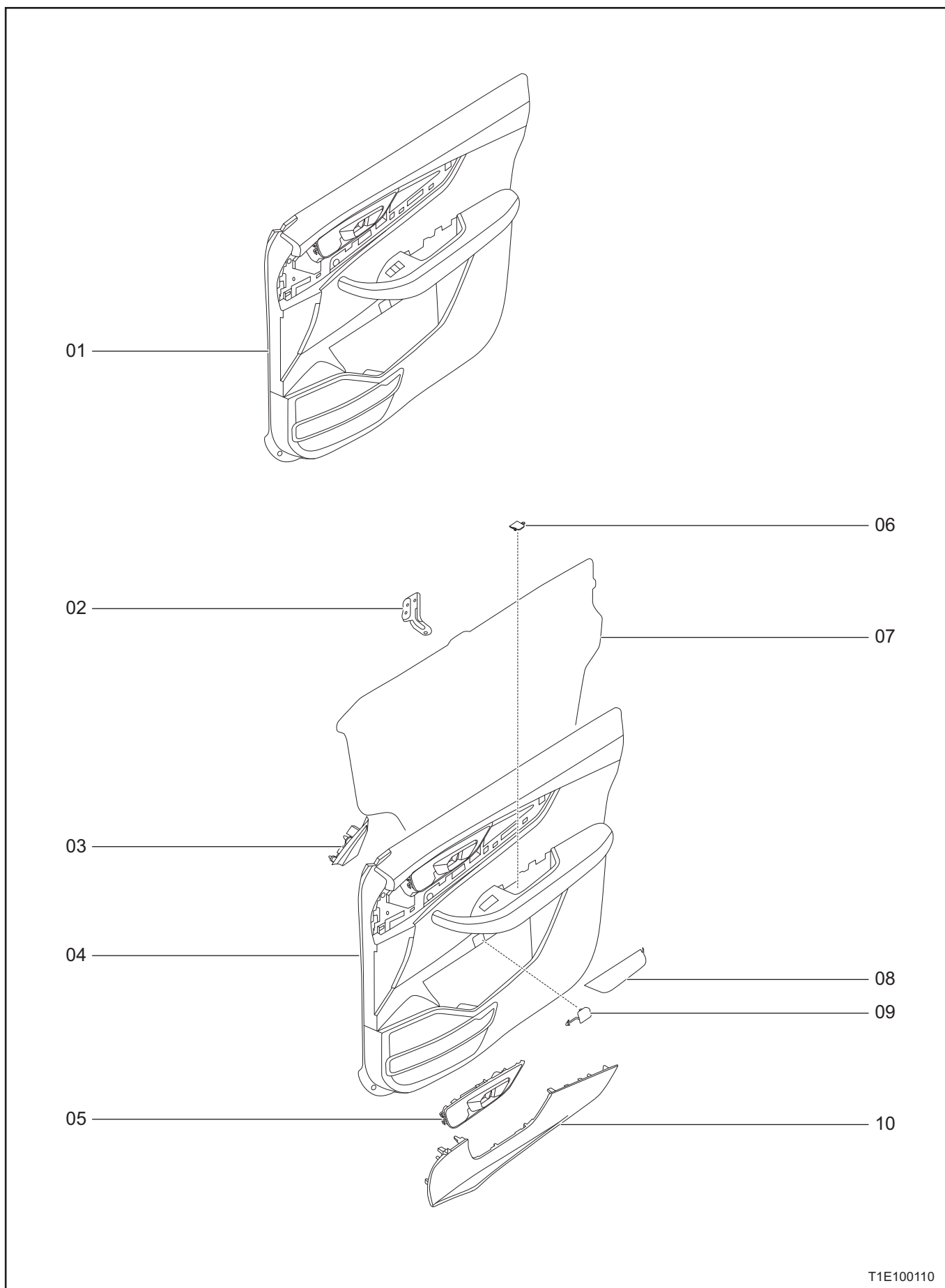
T1E100090

No.	Part No.	Station No.	Station Name	
01	403001286AAABK	T1EKKK30012862701	Remove and reinstall Luggage compartment carpet assy	
02	403000115AAABK	T1EKKK30001152701	Remove and reinstall Buckle cover plate	
03	403001374AAABK	T1EKKK30013742701	Remove and reinstall Back doorsill pressure panel assy	
04	403001138AA	T1EKKK30011382751	Remove and reinstall RR ventilation frame assy	
		Ex: T1EKKK20006092701	Remove and reinstall RR bumper body assy	
05	S11-8208010	T1EKKK82080102701	Remove and reinstall Triangle warning plate assy	



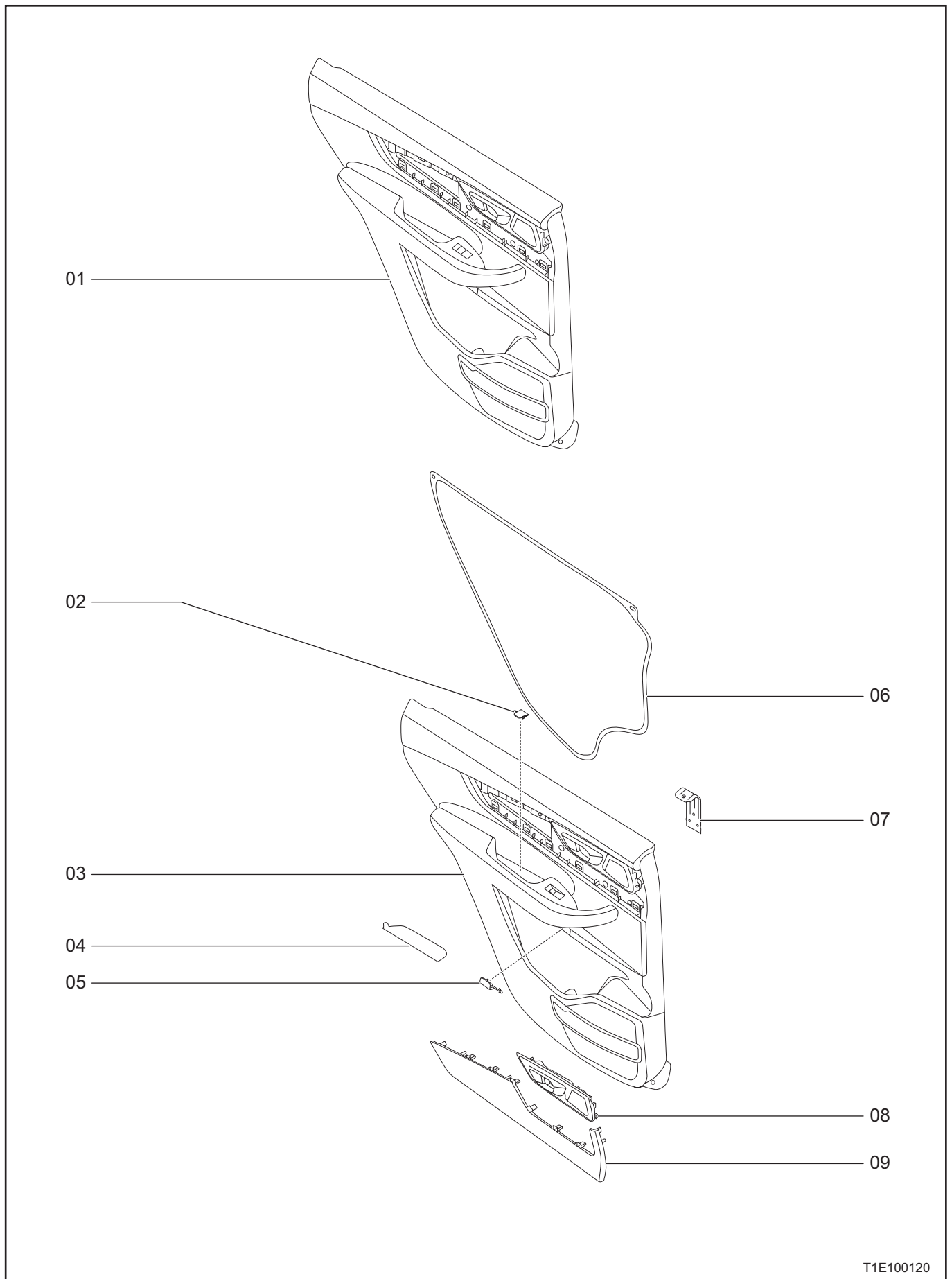
T1E100100

No.	Part No.	Station No.	Station Name	
01	403002799AAARD	T1EKKK30027992701	Remove and reinstall FR door protector with switch assy LH	
	403003102AAABK	T1EKKK30031022701	Remove and reinstall FR door protector with switch assy LH	
02	403001394AA	T1EKKK30013942751	Remove and reinstall FR door protective film assy LH	
		Ex: T1EKKK30014522701	Remove and reinstall FR door protector assy LH	
03	403001625AA	T1EKKK30016252701	Remove and reinstall FR door armrest block cover LH	
04	403001985AAABK	T1EKKK30019852701	Remove and reinstall FR door trim panel assy LH	
05	403001295AA	T1EKKK30012952701	Remove and reinstall FR door INR triangle block assy LH	
06	403001452AA	T1EKKK30014522701	Remove and reinstall FR door protector assy LH	
07	403001616AA	T1EKKK30016162751	Remove and reinstall INR HANDLE-FR DOOR LH	
		Ex: T1EKKK30014522701	Remove and reinstall FR door protector assy LH	



T1E100110

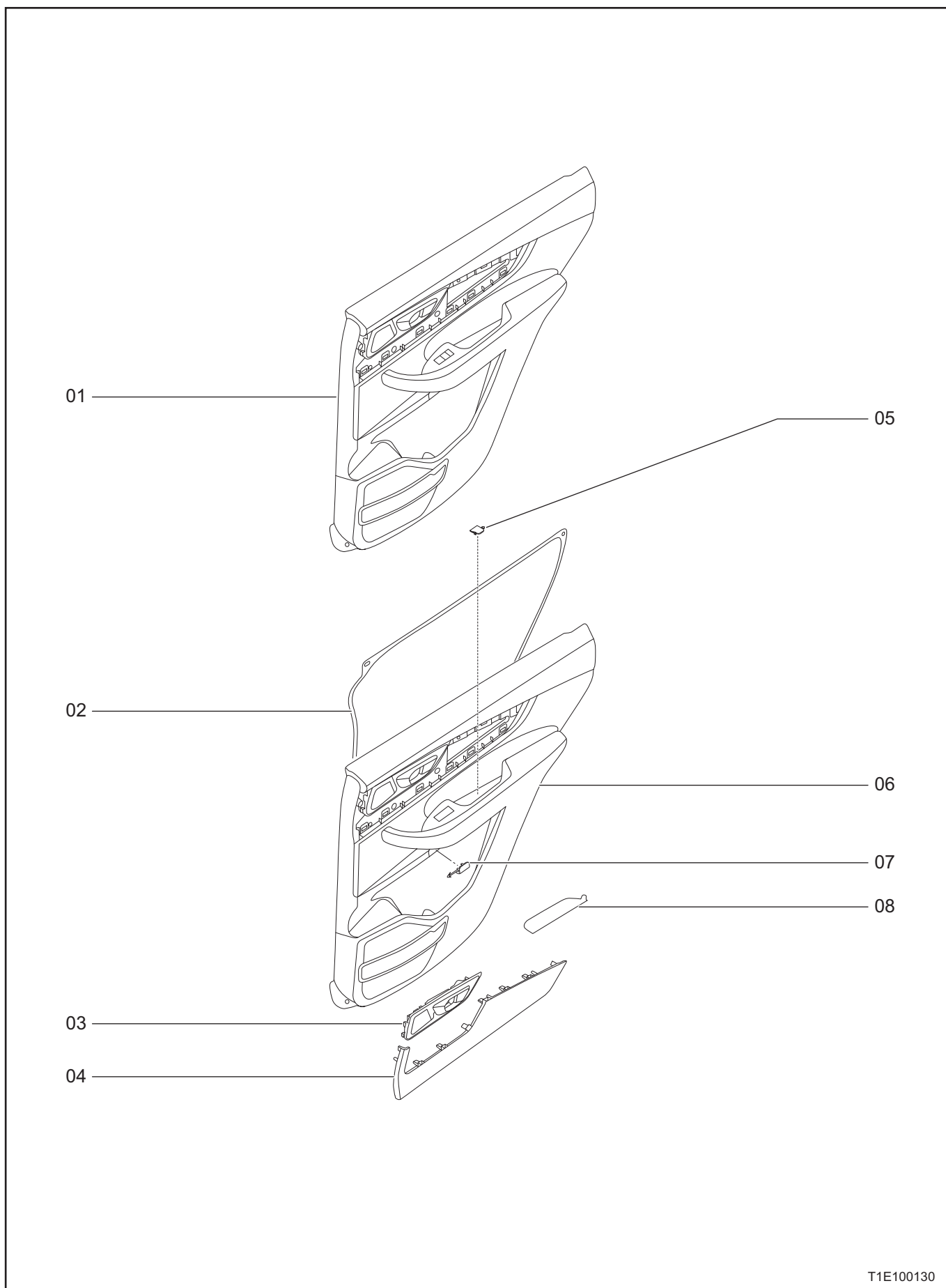
No.	Part No.	Station No.	Station Name	
01	403002800AAARD	T1EKKK30028002701	Remove and reinstall FR door protector with switch assy RH	
	403003103AAABK	T1EKKK30031032701	Remove and reinstall FR door protector with switch assy RH	
02	403001304AA	T1EKKK30013042751	Remove and reinstall FR door metal bracket RH	
		Ex: T1EKKK30014532701	Remove and reinstall FR door protector assy RH	
03	403001296AA	T1EKKK30012962701	Remove and reinstall FR door INR triangle block assy RH	
04	403001453AA	T1EKKK30014532701	Remove and reinstall FR door protector assy RH	
05	403001617AA	T1EKKK30016172751	Remove and reinstall INR HANDLE-FR DOOR RH	
		Ex: T1EKKK30014532701	Remove and reinstall FR door protector assy RH	
06	403001622AA	T1EKKK30016222701	Remove and reinstall FR door handle box block cover RH	
07	403001395AA	T1EKKK30013952751	Remove and reinstall FR door protective film assy RH	
		Ex: T1EKKK30014532701	Remove and reinstall FR door protector assy RH	
08	403001576AA	T1EKKK30015762701	Remove and reinstall FR door handle box gasket RH	
09	403001626AA	T1EKKK30016262701	Remove and reinstall FR door armrest block cover RH	
10	403001986AAABK	T1EKKK30019862701	Remove and reinstall FR door trim panel assy RH	



T1E100120

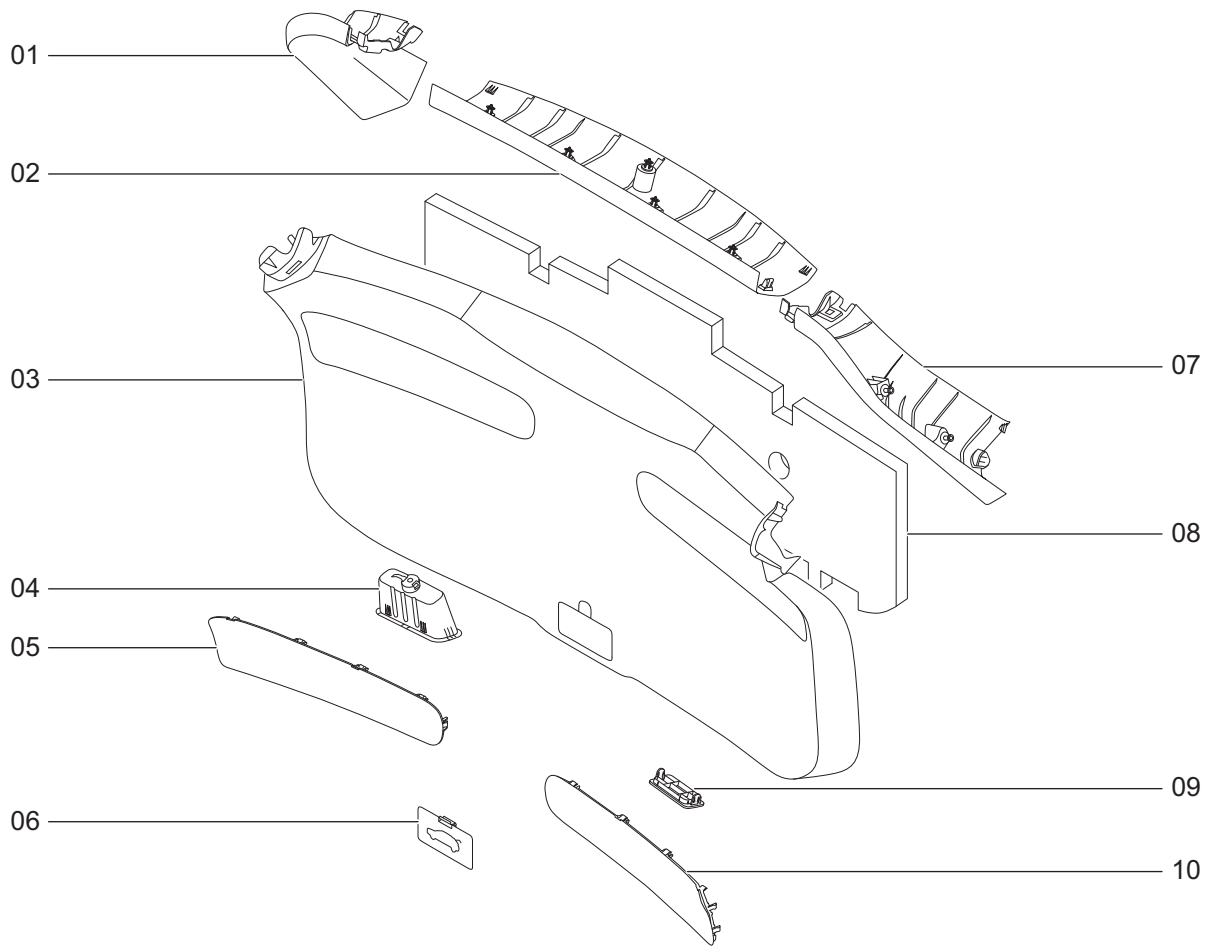


No.	Part No.	Station No.	Station Name	
01	403001742AAARD	T1EKKK30017422701	Remove and reinstall RR door protector with switch assy LH	
	403001746AACBK	T1EKKK30017462701	Remove and reinstall RR door protector with switch assy LH	
02	403001623AA	T1EKKK30016232701	Remove and reinstall RR door handle trim cover plug LH	
03	403001417AA	T1EKKK30014172701	Remove and reinstall RR door protector assy LH	
04	403001647AA	T1EKKK30016472701	Remove and reinstall RR door handle box gasket LH	
05	403001627AA	T1EKKK30016272701	Remove and reinstall RR door armrest block cover LH	
06	403001414AA	T1EKKK30014142751 Ex: T1EKKK30014172701	Remove and reinstall RR door protective film assy LH Remove and reinstall RR door protector assy LH	
07	403001412AA	T1EKKK30014122751 Ex: T1EKKK30014172701	Remove and reinstall RR door metal bracket LH Remove and reinstall RR door protector assy LH	
08	403001618AA	T1EKKK30016182751 Ex: T1EKKK30014172701	Remove and reinstall INR HANDLE-RR DOOR LH Remove and reinstall RR door protector assy LH	
09	403001987AAABK	T1EKKK30019872701	Remove and reinstall RR door trim panel assy LH	



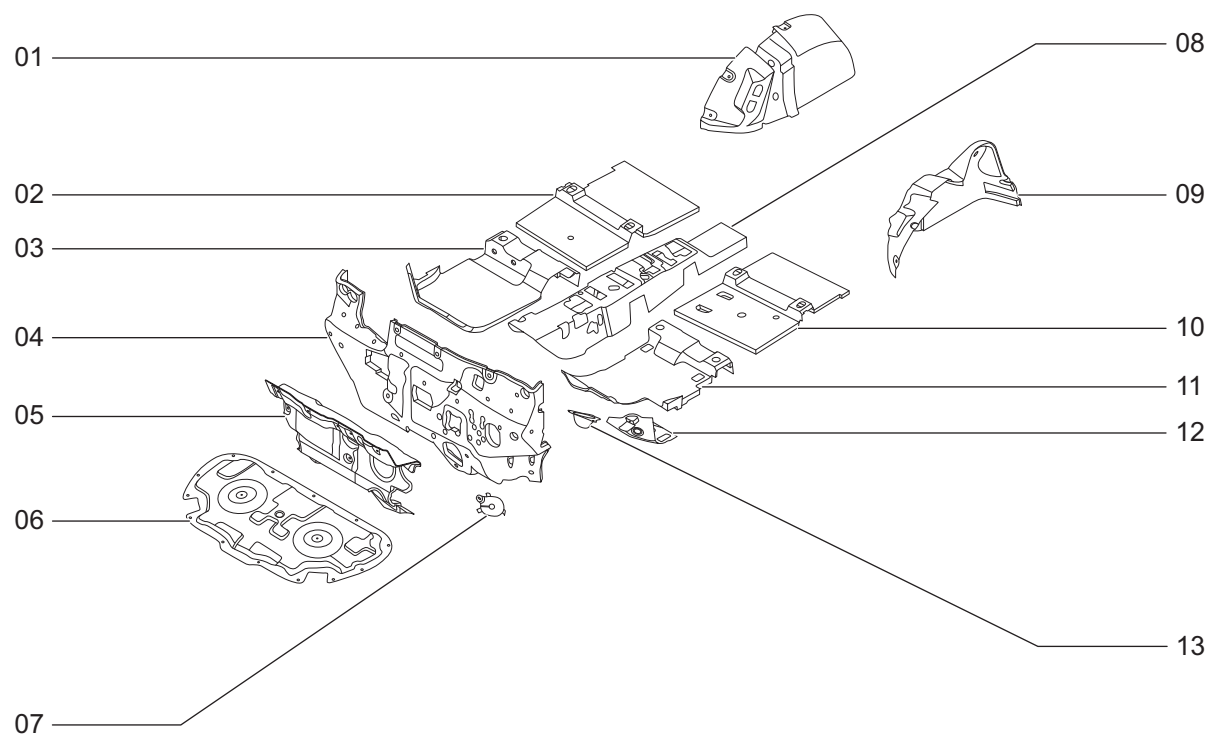
T1E100130

No.	Part No.	Station No.	Station Name	
01	403001743AAARD	T1EKKK30017432701	Remove and reinstall RR door protector with switch assy RH	
	403001747AACBK	T1EKKK30017472701	Remove and reinstall RR door protector with switch assy RH	
02	403001415AA	T1EKKK30014152751	Remove and reinstall RR door protective film assy RH	
		Ex: T1EKKK30014182701	Remove and reinstall RR door protector assy RH	
03	403001619AA	T1EKKK30016192751	Remove and reinstall INR HANDLE-RR DOOR RH	
		Ex: T1EKKK30014182701	Remove and reinstall RR door protector assy RH	
04	403001988AAABK	T1EKKK30019882701	Remove and reinstall RR door trim panel assy RH	
05	403001624AA	T1EKKK30016242701	Remove and reinstall RR door handle trim cover plug RH	
06	403001418AA	T1EKKK30014182701	Remove and reinstall RR door protector assy RH	
07	403001628AA	T1EKKK30016282701	Remove and reinstall RR door armrest block cover RH	
08	403001648AA	T1EKKK30016482701	Remove and reinstall RR door handle box gasket RH	



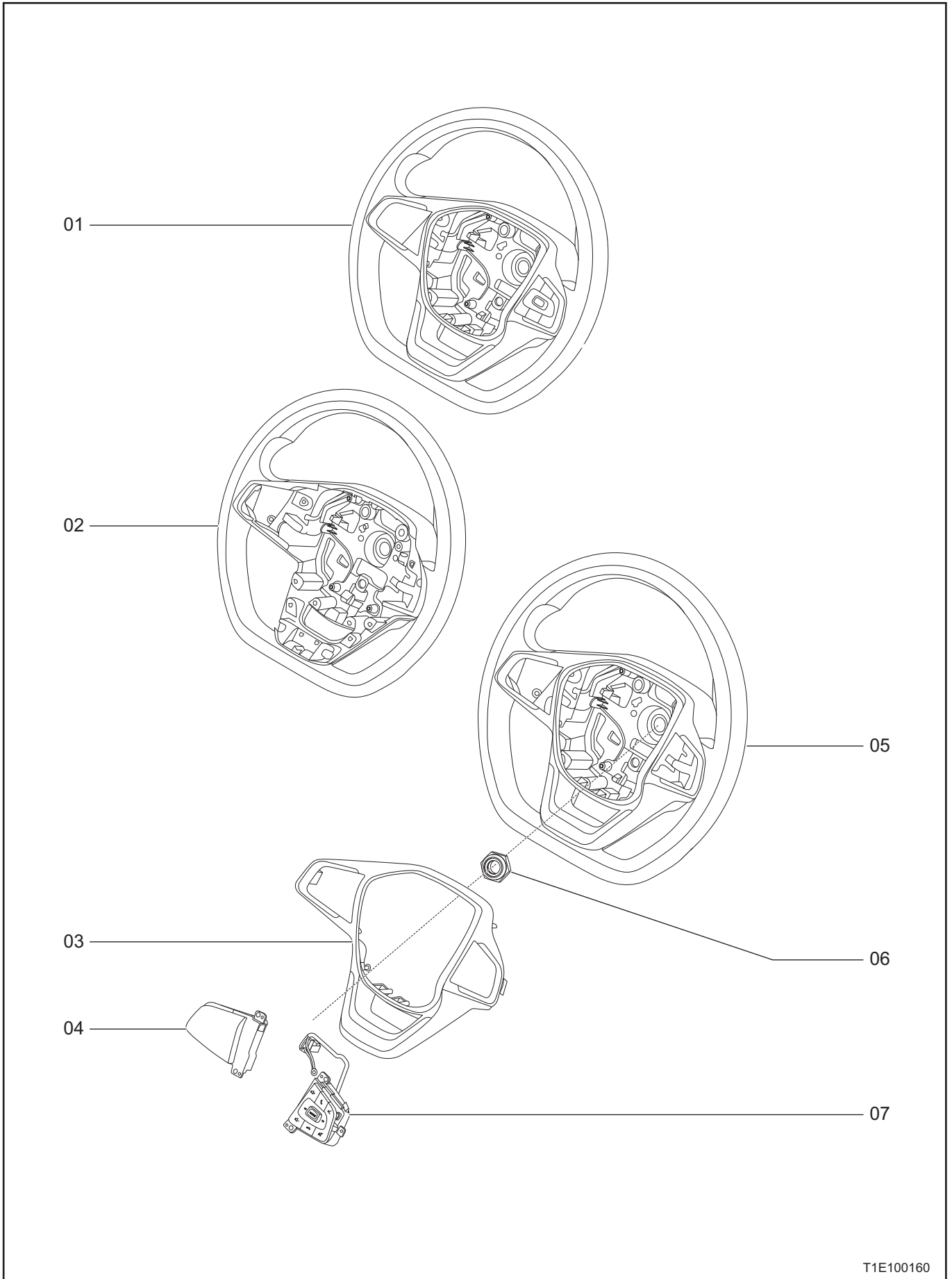
T1E100140

No.	Part No.	Station No.	Station Name	
01	403000127AAAGY	T1EKKK30001272751 Ex: T1EKKK30001252701	Remove and reinstall Back door protector assy RH Remove and reinstall Back door UPR protector assy	
02	403000125AAAGY	T1EKKK30001252701	Remove and reinstall Back door UPR protector assy	
03	403000128AAABK	T1EKKK30001282751 Ex: T1EKKK30001272751 Ex: T1EKKK30001262751 Ex: T1EKKK30001252701	Remove and reinstall Back door LWR protector assy Remove and reinstall Back door protector assy RH Remove and reinstall Back door protector assy LH Remove and reinstall Back door UPR protector assy	
04	403000129AAABK	T1EKKK30001292701	Remove and reinstall Back door closing handle	
05	403000154AA	T1EKKK30001542701	Remove and reinstall Back door service block cover RH	
06	403000155AA	T1EKKK30001552701	Remove and reinstall Back door escape exit block cover	
07	403000126AAAGY	T1EKKK30001262751 Ex: T1EKKK30001252701	Remove and reinstall Back door protector assy LH Remove and reinstall Back door UPR protector assy	
08	403000156AA	T1EKKK30001562751 Ex: T1EKKK30001282751 Ex: T1EKKK30001272751 Ex: T1EKKK30001262751 Ex: T1EKKK30001252701	Remove and reinstall Back door sound insulation cotton Remove and reinstall Back door LWR protector assy Remove and reinstall Back door protector assy RH Remove and reinstall Back door protector assy LH Remove and reinstall Back door UPR protector assy	
09	403000225AAABK	T1EKKK30002252701	Remove and reinstall Back door protector small plug	
10	403000153AA	T1EKKK30001532701	Remove and reinstall Back door service block cover LH	



T1E100150

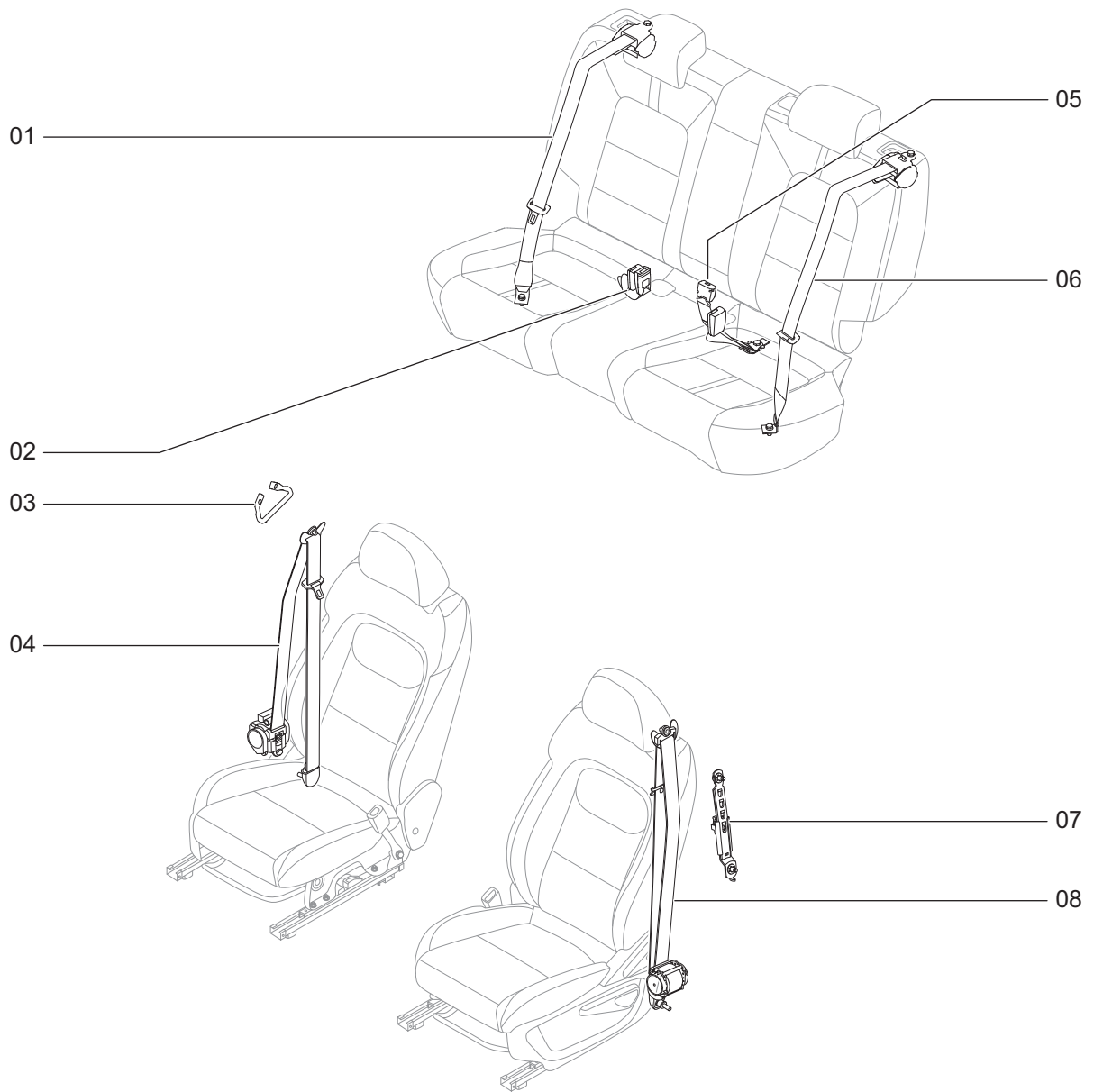
No.	Part No.	Station No.	Station Name	
01	T15-5440020	T1EKKK54400202751	Remove and reinstall RR wheel house absorbent cushion RH	
		Ex: T1EKKK30017992701	Remove and reinstall Pillar C LWR protector assy RH	
02	403002749AA	T1EKKK30027492751	Remove and reinstall FR floor RR shock absorption cushion RH	
		Ex: T1EKKK20024432701	Remove and reinstall FR seat belt buckle assy RH	
03	403000650AA	T1EKKK30006502751	Remove and reinstall FR floor FR shock absorption cushion RH	
		Ex: T1EKKK20024432701	Remove and reinstall FR seat belt buckle assy RH	
04	403002155AA	T1EKKK30021552751	Remove and reinstall FR retaining plate soundproof cotton	
		Ex: T1EKKK10004413651	Disassemble and reassemble Power HVAC Assy	
		Ex: T1EKKK10004412751	Remove and reinstall Power HVAC Assy	
		Ex: T1EKKK47020112201	Drain and fill refrigerant	
		Ex: T1EKKK10008672751	Remove and reinstall dashboard assy	
Ex: T1EKKK10011252701	Remove and reinstall Auxiliary dashboard assy			
05	T15-5310020	T1EKKK53100202701	Remove and reinstall Engine compartment sound insulator	
06	403001732AA	T1EKKK30017322701	Remove and reinstall Engine hood sound insulator	
07	T15-5310030	T1EKKK53100302751	Remove and reinstall FR retaining plate sound insulator 2	
		Ex: T1EKKK10008672751	Remove and reinstall dashboard assy	
		Ex: T1EKKK10011252701	Remove and reinstall Auxiliary dashboard assy	
08	T15-5110010	T1EKKK51100102751	Remove and reinstall MD passage absorbent cotton	
		Ex: T1EKKK10011252701	Remove and reinstall Auxiliary dashboard assy	
09	T15-5440010	T1EKKK54400102751	Remove and reinstall RR wheel house absorbent cushion LH	
		Ex: T1EKKK30017982701	Remove and reinstall Pillar C LWR protector assy LH	
10	403002748AA	T1EKKK30027482751	Remove and reinstall FR floor RR shock absorption cushion RH	
		Ex: T1EKKK20024422701	Remove and reinstall FR seat belt buckle assy LH	
11	403000649AA	T1EKKK30006492751	Remove and reinstall FR floor FR shock absorption cushion LH	
		Ex: T1EKKK20024422701	Remove and reinstall FR seat belt buckle assy LH	
12	T15-5531010	T1EKKK55310102701	Remove and reinstall Driver foot rest shock absorption cushion	
13	T15-5531020	T1EKKK55310202701	Remove and reinstall Universal joint shock absorption cushion	



T1E100160

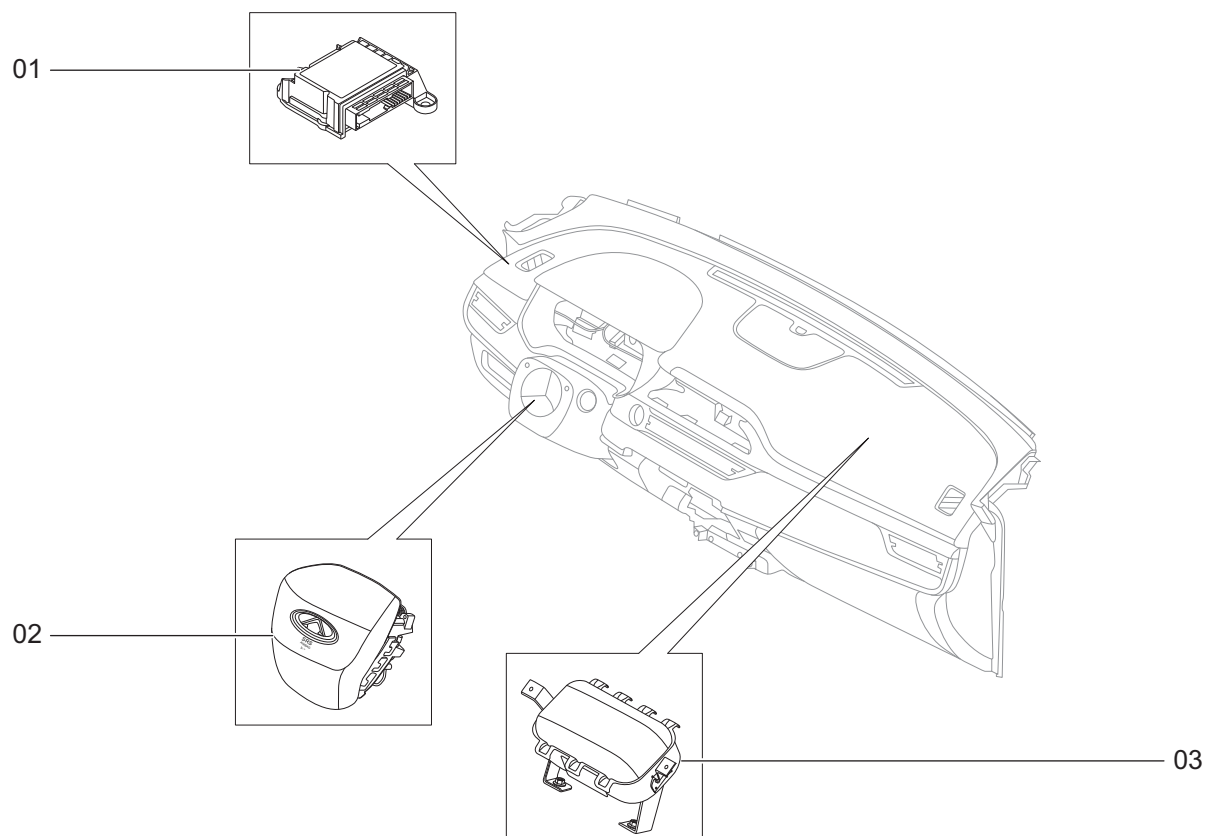


No.	Part No.	Station No.	Station Name	
01	404000260AA	T1EKKK40002602751	Remove and reinstall Steering wheel assy	
		Ex: T1EKKK70000982701	Remove and reinstall Driver airbag assy	
02	404000207AA	T1EKKK40002072751	Remove and reinstall Leather steering wheel body	
		Ex: T1EKKK70000982701	Remove and reinstall Driver airbag assy	
03	404000210AA	T1EKKK40002102751	Remove and reinstall Large trim	
		Ex: T1EKKK70000982701	Remove and reinstall Driver airbag assy	
04	404000082AA	T1EKKK40000822701	Remove and reinstall Block cover LH	
05	404000182AA	T1EKKK40001822751	Remove and reinstall Steering wheel body	
		Ex: T1EKKK70000982701	Remove and reinstall Driver airbag assy	
06	FQ32914T15F36K	T1EKKK32914T12751	Remove and reinstall Steering wheel fixing nut	
		Ex: T1EKKK70000982701	Remove and reinstall Driver airbag assy	
07	404000078AA	T1EKKK40000782751	Remove and reinstall Steering wheel multi-function switch	
		Ex: T1EKKK70000982701	Remove and reinstall Driver airbag assy	



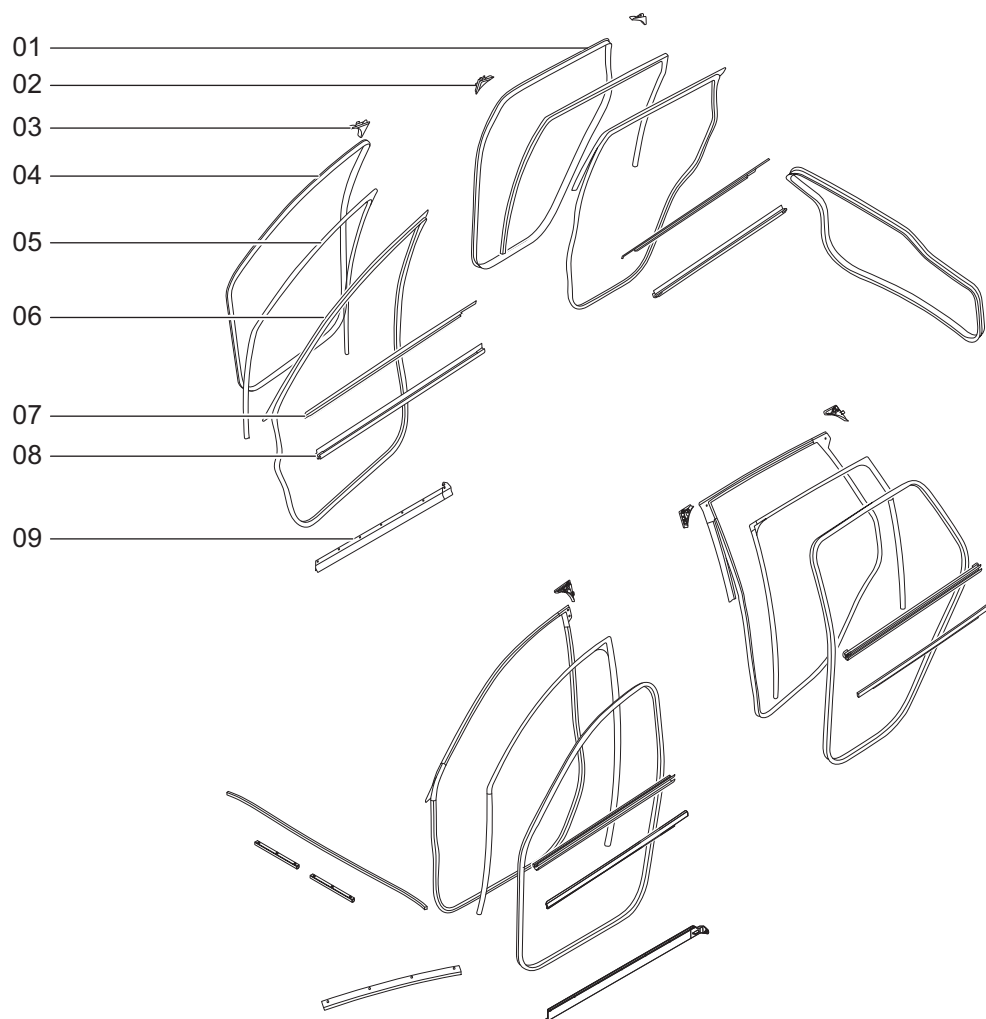
T1E100170

No.	Part No.	Station No.	Station Name	
01	406000165AA	T1EKKK60001652751 Ex: T1EKKK30017992701	Remove and reinstall RR seat belt assy RH Remove and reinstall Pillar C LWR protector assy RH	
02	406000166AA	T1EKKK60001662701	Remove and reinstall Double striker assy	
03	T21-5811090	T1EKKK58110902751 Ex: T1EKKK54020602751 Ex: T1EKKK54020802701	Remove and reinstall Fork bracket Remove and reinstall Pillar B UPR protector assy RH Remove and reinstall Pillar B LWR protector assy RH	
04	406000213AA	T1EKKK60002132751 Ex: T1EKKK54020602751 Ex: T1EKKK54020802701	Remove and reinstall FR seat belt assy RH Remove and reinstall Pillar B UPR protector assy RH Remove and reinstall Pillar B LWR protector assy RH	
05	406000167AA	T1EKKK60001672701	Remove and reinstall RR seat belt small buckle assy	
06	406000164AA	T1EKKK60001642751 Ex: T1EKKK30017982701	Remove and reinstall RR seat belt assy LH Remove and reinstall Pillar C LWR protector assy LH	
07	406000216AA	T1EKKK60002162751 Ex: T1EKKK54020602751 Ex: T1EKKK54020802701	Remove and reinstall Height adjuster assy Remove and reinstall Pillar B UPR protector assy RH Remove and reinstall Pillar B LWR protector assy RH	
08	406000212AA	T1EKKK60002122751 Ex: T1EKKK54020502751 Ex: T1EKKK54020702701	Remove and reinstall FR seat belt assy LH Remove and reinstall Pillar B UPR protector assy LH Remove and reinstall Pillar B LWR protector assy LH	



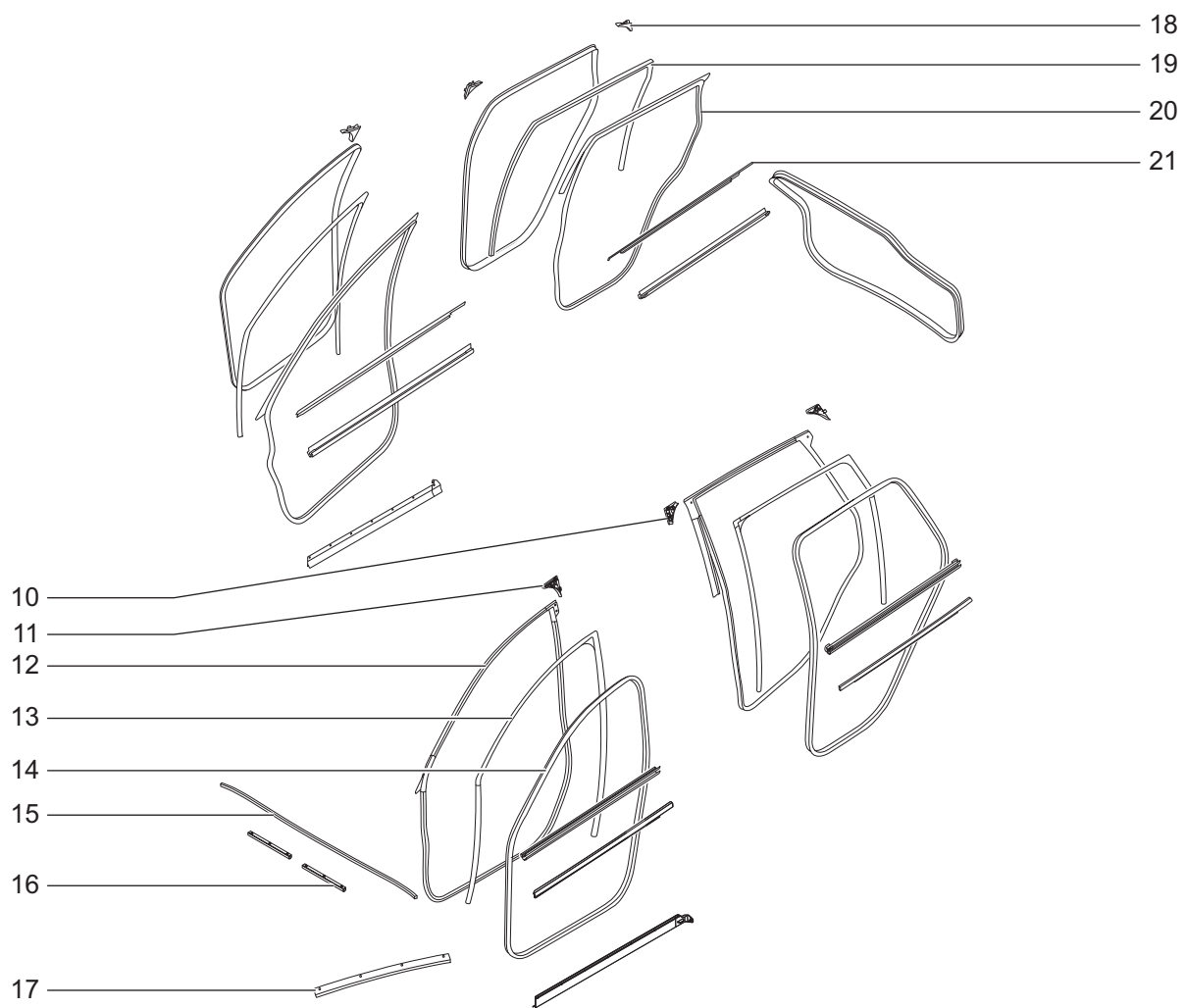
T1E100180

No.	Part No.	Station No.	Station Name	
01	407000168AA	T1EKKK70001682751 Ex: T1EKKK10011252701	Remove and reinstall Airbag controller assy Remove and reinstall Auxiliary dashboard assy	
02	407000098AA	T1EKKK70000982701	Remove and reinstall Driver airbag assy	
03	J68-5820020	T1EKKK58200202751 Ex: T1EKKK10008672751 Ex: T1EKKK10011252701	Remove and reinstall FR passenger airbag assy Remove and reinstall dashboard assy Remove and reinstall Auxiliary dashboard assy	



T1E100190

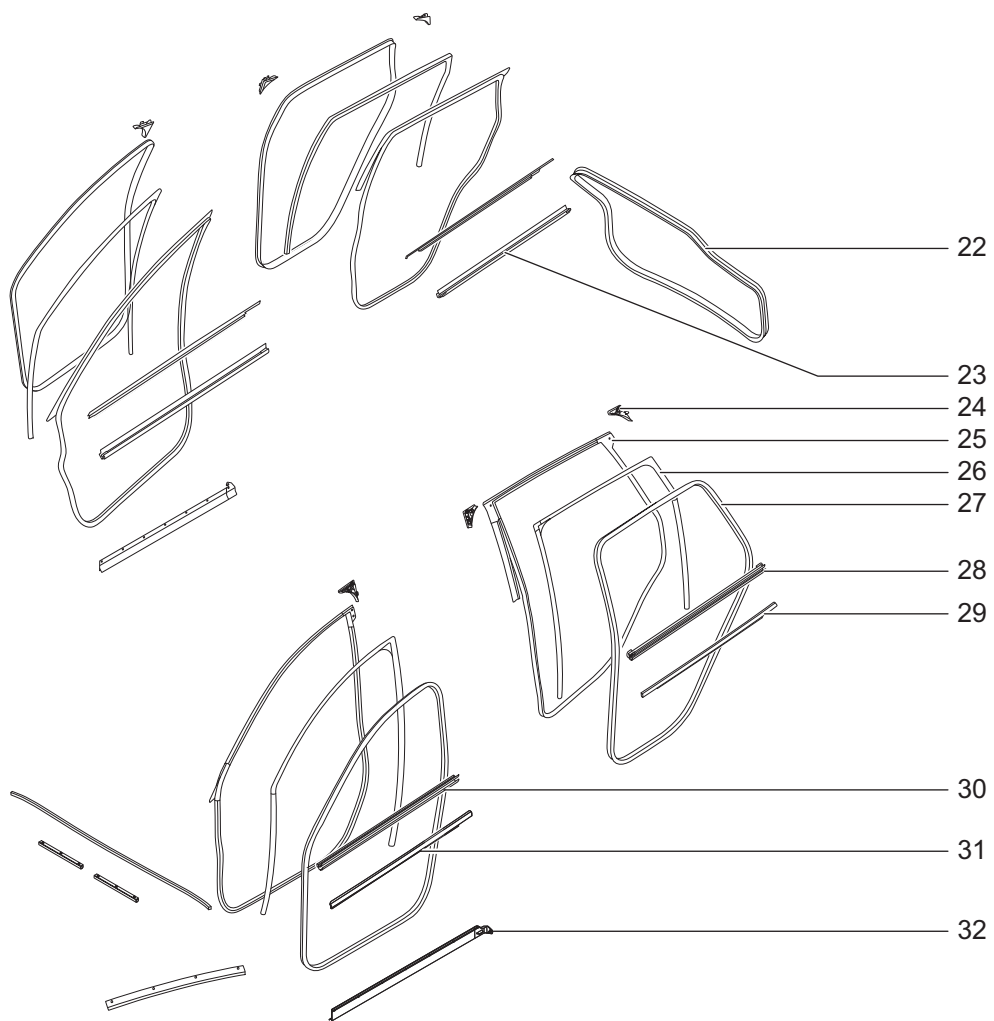
No.	Part No.	Station No.	Station Name	
01	554000398AA	T1EKKK40003982701	Remove and reinstall RR door opening seal strip RH	
02	554000100AA	T1EKKK40001002701	Remove and reinstall RR B-pillar opening seal strip pressure cap RH	
	554000639AA	T1EKKK40006392701	Remove and reinstall RR door B-pillar opening seal strip pressure cap RH	
03	554000098AA	T1EKKK40000982701	Remove and reinstall FR B-pillar opening seal strip pressure cap RH	
	554000637AA	T1EKKK40006372701	Remove and reinstall FR door B-pillar opening seal strip pressure cap RH	
04	554000443AA	T1EKKK40004432701	Remove and reinstall FR door seal strip RH	
05	554000441AA	T1EKKK40004412701	Remove and reinstall FR door guide groove RH	
06	554000439AA	T1EKKK40004392701	Remove and reinstall FR door frame seal strip RH	
07	554000094AA	T1EKKK40000942701	Remove and reinstall FR door INR weatherstrip LH	
	554000653AA	T1EKKK40006532701	Remove and reinstall FR door INR weatherstrip LH	
08	554000090AA	T1EKKK40000902751	Remove and reinstall FR door INR weatherstrip RH	
		Ex: T1EKKK30028002701	Remove and reinstall FR door protector with switch assy RH	
	554000633AA	T1EKKK40006332761	Remove and reinstall FR door INR weatherstrip RH	
		Ex: T1EKKK30028002701	Remove and reinstall FR door protector with switch assy RH	
09	554000104AA	T1EKKK40001042701	Remove and reinstall FR door LWR seal strip RH	
	554000660AA	T1EKKK40006602701	Remove and reinstall FR door LWR seal strip RH	



T1E100191



No.	Part No.	Station No.	Station Name	
10	554000099AA	T1EKKK40000992701	Remove and reinstall RR B-pillar opening seal strip pressure cap LH	
	554000638AA	T1EKKK40006382701	Remove and reinstall RR door B-pillar opening seal strip pressure cap LH	
11	554000097AA	T1EKKK40000972701	Remove and reinstall FR B-pillar opening seal strip pressure cap LH	
	554000636AA	T1EKKK40006362701	Remove and reinstall FR door B-pillar opening seal strip pressure cap LH	
12	554000438AA	T1EKKK40004382701	Remove and reinstall FR door frame seal strip LH	
13	554000440AA	T1EKKK40004402701	Remove and reinstall FR door guide groove LH	
14	554000442AA	T1EKKK40004422701	Remove and reinstall FR door seal strip LH	
15	509000882AA	T1EKKK90008822701	Remove and reinstall Hood RR seal strip	
	J68-8402228	T1EKKK84022282701	Remove and reinstall Hood RR seal strip	
16	509000881AA	T1EKKK90008812701	Remove and reinstall Hood FR seal strip	
	J68-8402227	T1EKKK84022272701	Remove and reinstall Hood FR seal strip	
17	554000483AA	T1EKKK40004832701	Remove and reinstall Engine hood weatherstrip LH	
18	554000394AA	T1EKKK40003942701	Remove and reinstall RR C-pillar opening seal strip pressure cap RH	
19	554000388AA	T1EKKK40003882701	Remove and reinstall RR door guide groove RH	
20	554000396AA	T1EKKK40003962701	Remove and reinstall RR door frame seal strip RH	
21	554000454AA	T1EKKK40004542701	Remove and reinstall RR door OTR weatherstrip RH	



T1E100192

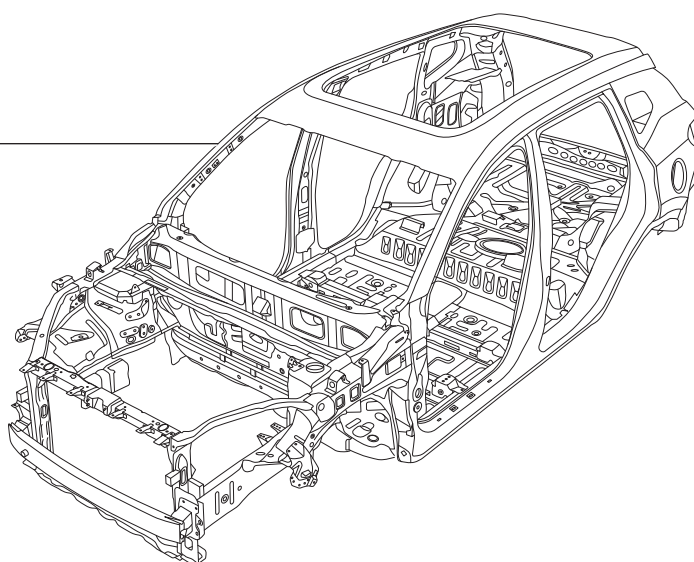
No.	Part No.	Station No.	Station Name	
22	554000267AA	T1EKKK40002672701	Remove and reinstall Back door seal strip	
	554000399AA	T1EKKK40003992701	Remove and reinstall Back door seal strip	
23	554000390AA	T1EKKK40003902751	Remove and reinstall RR door INR weatherstrip RH	
		Ex: T1EKKK30017432701	Remove and reinstall RR door protector with switch assy RH	
24	554000393AA	T1EKKK40003932701	Remove and reinstall RR C-pillar opening seal strip pressure cap LH	
25	554000395AA	T1EKKK40003952701	Remove and reinstall RR door frame seal strip LH	
26	554000387AA	T1EKKK40003872701	Remove and reinstall RR door guide groove LH	
27	554000397AA	T1EKKK40003972701	Remove and reinstall RR door opening seal strip LH	
28	554000389AA	T1EKKK40003892751	Remove and reinstall RR door INR weatherstrip LH	
		Ex: T1EKKK30017422701	Remove and reinstall RR door protector with switch assy LH	
29	554000453AA	T1EKKK40004532701	Remove and reinstall RR door INR weatherstrip LH	
30	554000089AA	T1EKKK40000892751	Remove and reinstall FR door INR weatherstrip LH	
		Ex: T1EKKK30027992701	Remove and reinstall FR door protector with switch assy LH	
	554000632AA	T1EKKK40006322751	Remove and reinstall FR door INR weatherstrip LH	
		Ex: T1EKKK30027992701	Remove and reinstall FR door protector with switch assy LH	
31	554000093AA	T1EKKK40000932701	Remove and reinstall FR door OTR weatherstrip LH	
	554000651AA	T1EKKK40006512701	Remove and reinstall FR door OTR weatherstrip LH	
32	554000103AA	T1EKKK40001032701	Remove and reinstall FR door LWR seal strip LH	
	554000659AA	T1EKKK40006592701	Remove and reinstall FR door LWR seal strip LH	



## **WHITE BODY**

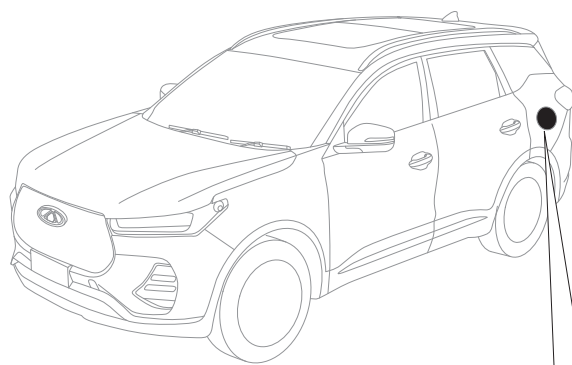
<b>White body, block plug .....</b>	<b>11-2</b>
<b>Fuel filler cover system .....</b>	<b>11-4</b>
<b>Quarter panel .....</b>	<b>11-6</b>
<b>Door, cover plate .....</b>	<b>11-8</b>
<b>Engine compartment, Fender.....</b>	<b>11-16</b>

01

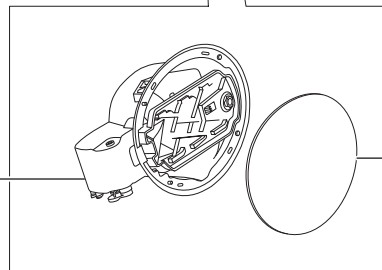


T1E110010

No.	Part No.	Station No.	Station Name	
01	500000022AADYJ	T1EKKK00000229201	Paint Body frame assy	
		T1EKKK00000222701	Remove and reinstall Body frame assy	



01

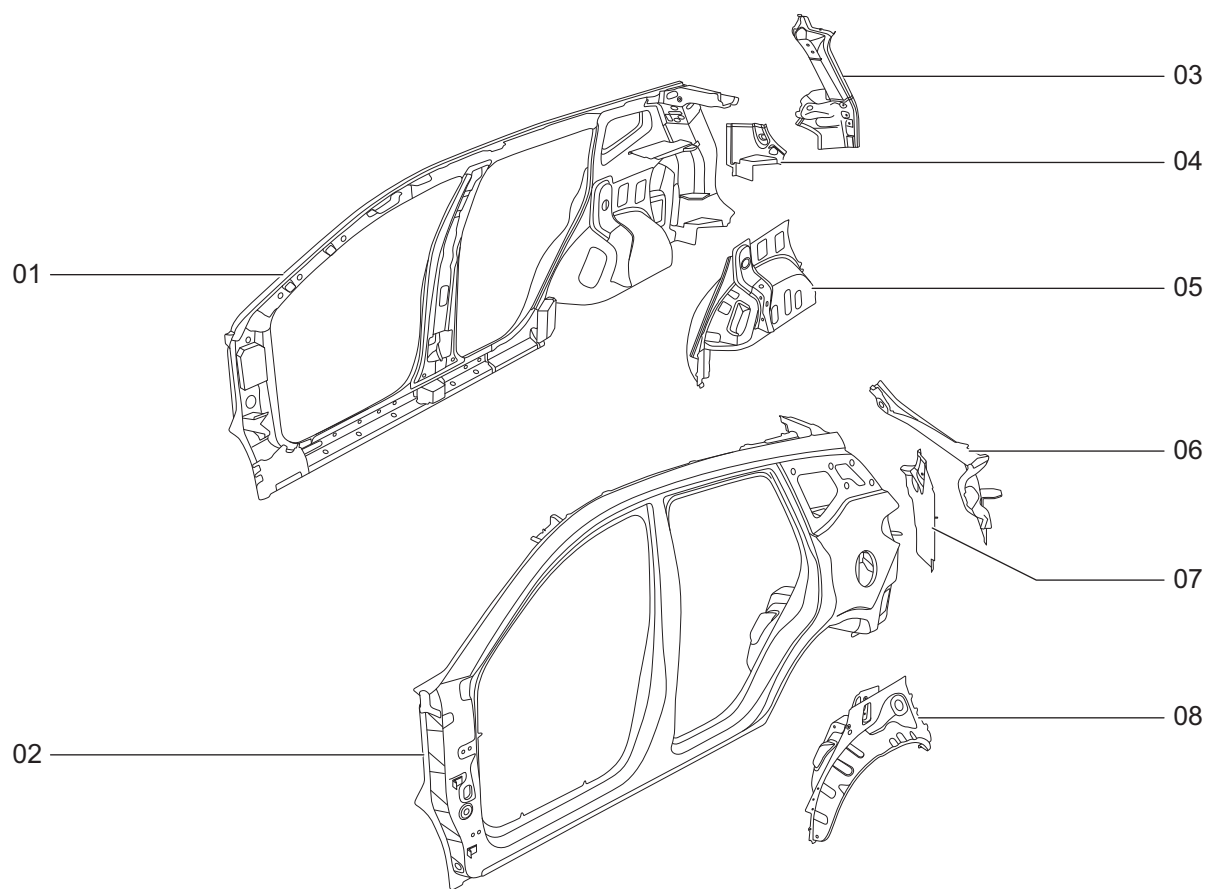


02

T1E110020

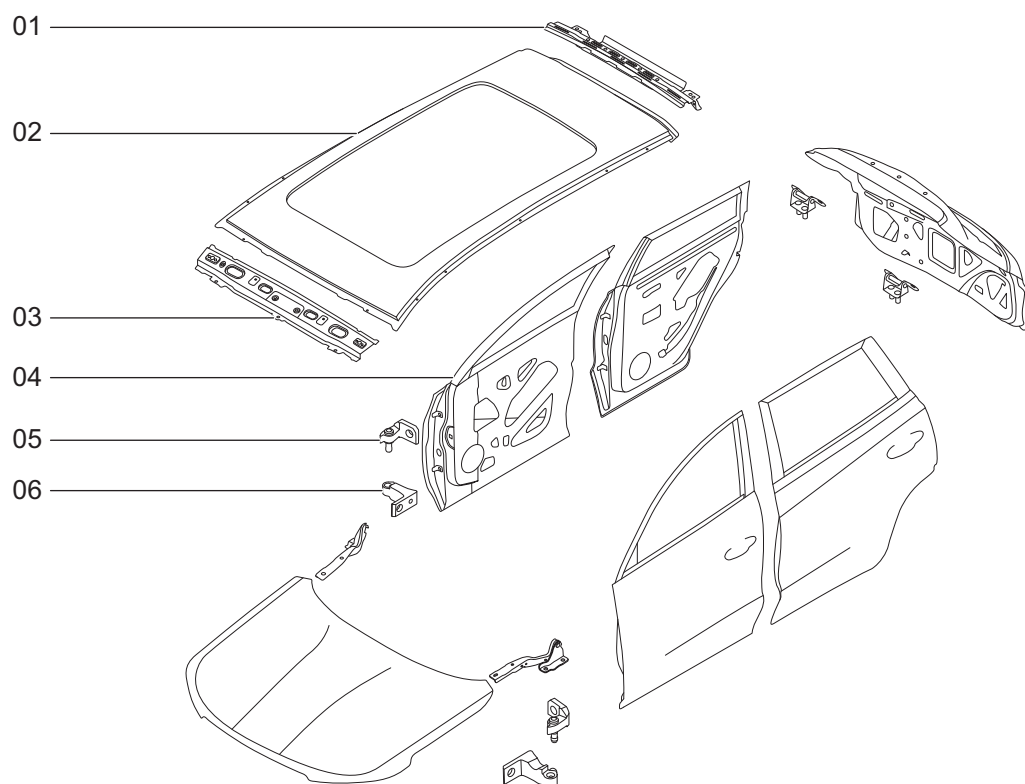


No.	Part No.	Station No.	Station Name	
01	503000032AA	T1EKKK30000322701	Remove and reinstall Fuel filler cover hinge assy	
02	503000031AA	T1EKKK30000312701	Remove and reinstall Fuel filler cover OTR plate	
		T1EKKK30000319201	Paint Fuel filler cover OTR plate	



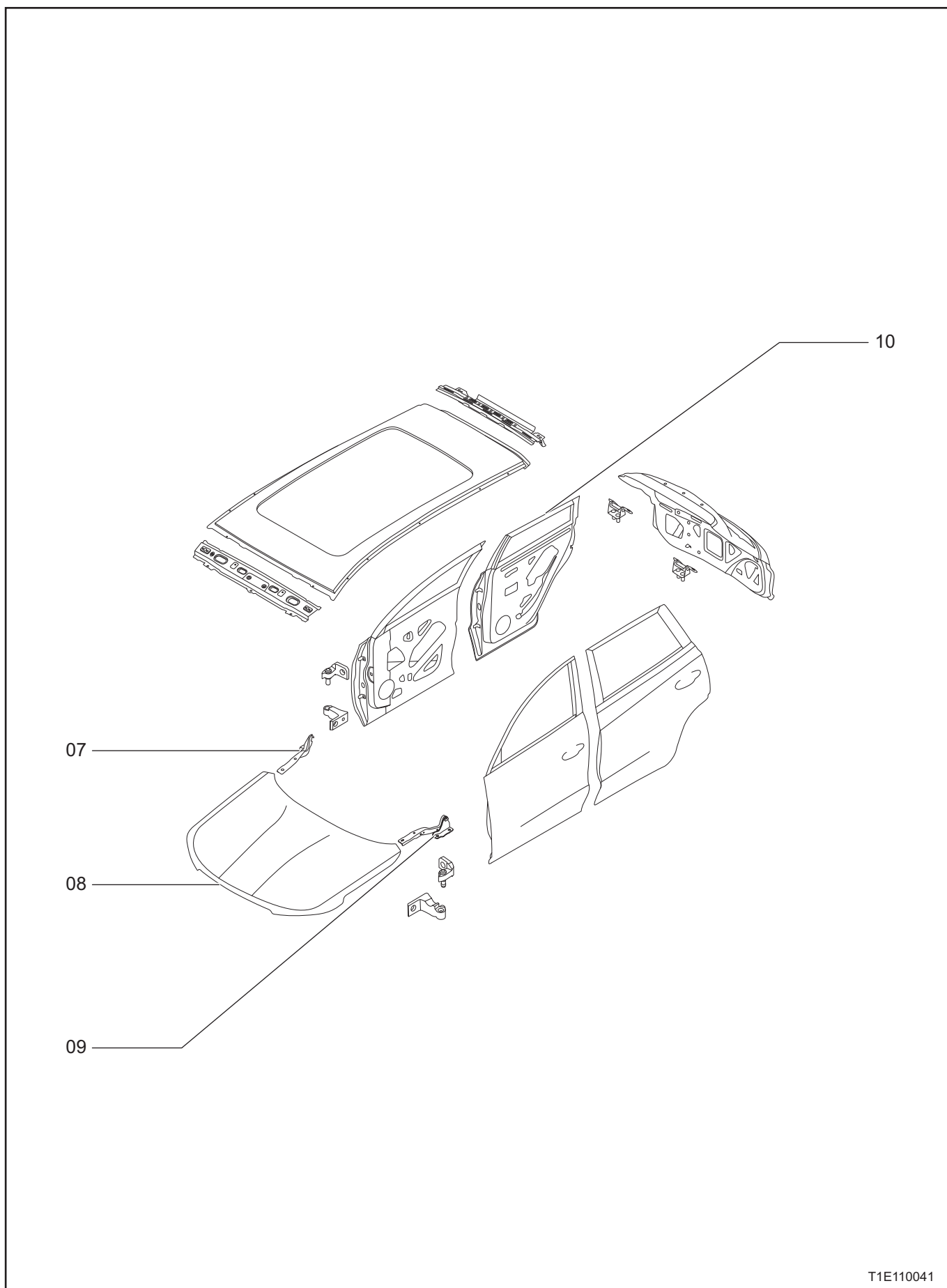
T1E110030

No.	Part No.	Station No.	Station Name	
01	509001133AADYJ	T1EKKK90011339201	Paint Quarter panel assy RH	
		T1EKKK90011339211	Paint Quarter panel assy RH	
		T1EKKK90011339221	Paint Quarter panel assy RH	
		T1EKKK90011339231	Paint Quarter panel assy RH	
		T1EKKK90011339501	Part paint Quarter panel assy RH	
02	509001132AADYJ	T1EKKK90011329201	Paint Quarter panel assy LH	
		T1EKKK90011329211	Paint Quarter panel assy LH	
		T1EKKK90011329221	Paint Quarter panel assy LH	
		T1EKKK90011329231	Paint Quarter panel assy LH	
		T1EKKK90011329501	Part paint Quarter panel assy LH	
03	502001498AADYJ	T1EKKK20014982701	Remove and reinstall RH RR combination light drain slot assy	
04	502000877AADYJ	T1EKKK20008772701	Remove and reinstall Quarter panel OTR plate RR connecting plate assy RH	
05	502001980AADYJ	T1EKKK20019802701	Remove and reinstall RR wheel house assy RH	
06	502001497AADYJ	T1EKKK20014972701	Remove and reinstall LH RR combination light drain slot assy	
07	502000876AADYJ	T1EKKK20008762701	Remove and reinstall Quarter panel OTR plate RR connecting plate assy LH	
08	502001979AADYJ	T1EKKK20019792701	Remove and reinstall RR wheel house assy LH	



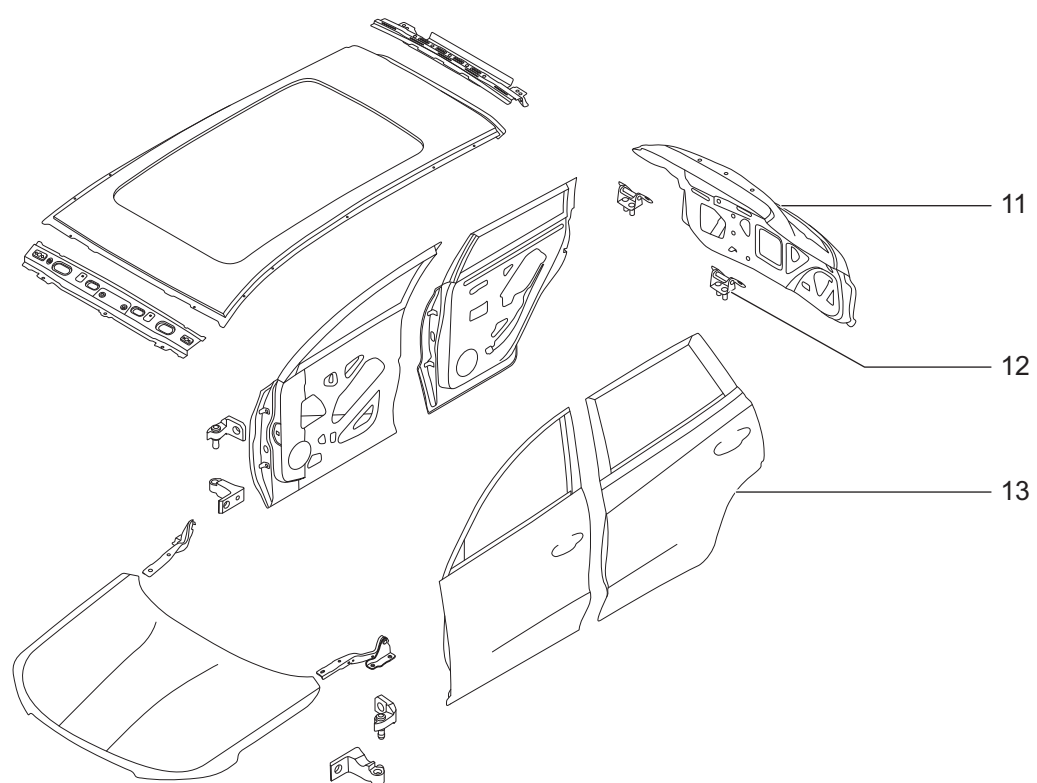
T1E110040

No.	Part No.	Station No.	Station Name	
01	502000968AADYJ	T1EKKK20009682751	Remove and reinstall RR roof crossbeam assy	
		Ex: T1EKKK30013282701	Remove and reinstall Sunroof/Roof assy	
02	502001982AADYJ	T1EKKK20019829201	Paint Panorama sunroof/Roof assy	
		T1EKKK20019829211	Paint Panorama sunroof/Roof assy	
		T1EKKK20019829221	Paint Panorama sunroof/Roof assy	
		T1EKKK20019829231	Paint Panorama sunroof/Roof assy	
		T1EKKK20019829501	Part paint Panorama sunroof/Roof assy	
03	502001368AADYJ	T1EKKK20013682751	Remove and reinstall FR roof crossbeam assy	
		Ex: T1EKKK30013282701	Remove and reinstall Sunroof/Roof assy	
04	928000083AADYJ	T1EKKK80000832701	Remove and reinstall FR door assy RH	
		T1EKKK80000833651	Disassemble and reassemble FR door assy RH	
		Ex: T1EKKK80000832701	Remove and reinstall FR door assy RH	
		T1EKKK80000839201	Paint FR door assy RH	
		T1EKKK80000839211	Paint FR door assy RH	
		T1EKKK80000839221	Paint FR door assy RH	
		T1EKKK80000839231	Paint FR door assy RH	
05	J60-6106023-DY	T1EKKK61060232751	Remove and reinstall Door UPR hinge assy RH	
		Ex: T1EKKK10006882751	Remove and reinstall dashboard crossbeam body assy	
		Ex: T1EKKK10008672751	Remove and reinstall dashboard assy	
		Ex: T1EKKK10011252701	Remove and reinstall Auxiliary dashboard assy	
06	J60-6106022-DY	T1EKKK61060222751	Remove and reinstall Door body part assy RH	
		Ex: T1EKKK10006882751	Remove and reinstall dashboard crossbeam body assy	
		Ex: T1EKKK10008672751	Remove and reinstall dashboard assy	
		Ex: T1EKKK10011252701	Remove and reinstall Auxiliary dashboard assy	



T1E110041

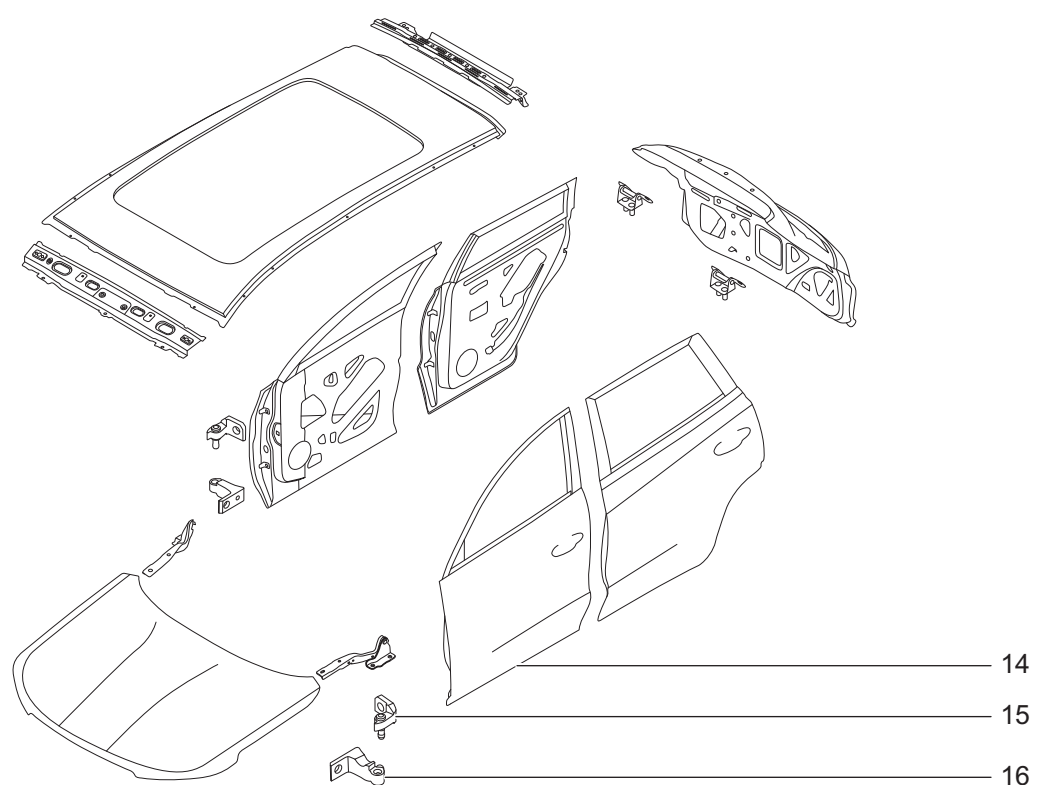
No.	Part No.	Station No.	Station Name	
07	J26-8402040-DY	T1EKKK84020402751	Remove and reinstall Engine hood RH hinge assy	
		Ex: T1EKKK30002062701	Remove and reinstall Fender RH	
		T1EKKK84020409201	Paint Engine hood RH hinge assy	
08	553000124AADYJ	T1EKKK30001242701	Remove and reinstall Engine hood assy	
		T1EKKK30001249201	Paint Engine hood assy	
		T1EKKK30001249211	Paint Engine hood assy	
		T1EKKK30001249221	Paint Engine hood assy	
		T1EKKK30001249231	Paint Engine hood assy	
		T1EKKK30001249501	Part paint Engine hood assy	
09	J26-8402030-DY	T1EKKK84020302751	Remove and reinstall Engine hood LH hinge assy	
		Ex: T1EKKK30002052701	Remove and reinstall Fender LH	
		T1EKKK84020309201	Paint Engine hood LH hinge assy	
10	551000932AADYJ	T1EKKK10009322701	Remove and reinstall RR door assy RH	
		T1EKKK10009323651	Disassemble and reassemble RR door assy RH	
		Ex: T1EKKK10009322701	Remove and reinstall RR door assy RH	
		T1EKKK10009329201	Paint RR door assy RH	
		T1EKKK10009329211	Paint RR door assy RH	
		T1EKKK10009329221	Paint RR door assy RH	
		T1EKKK10009329231	Paint RR door assy RH	
		T1EKKK10009329501	Part paint RR door assy RH	



T1E110042

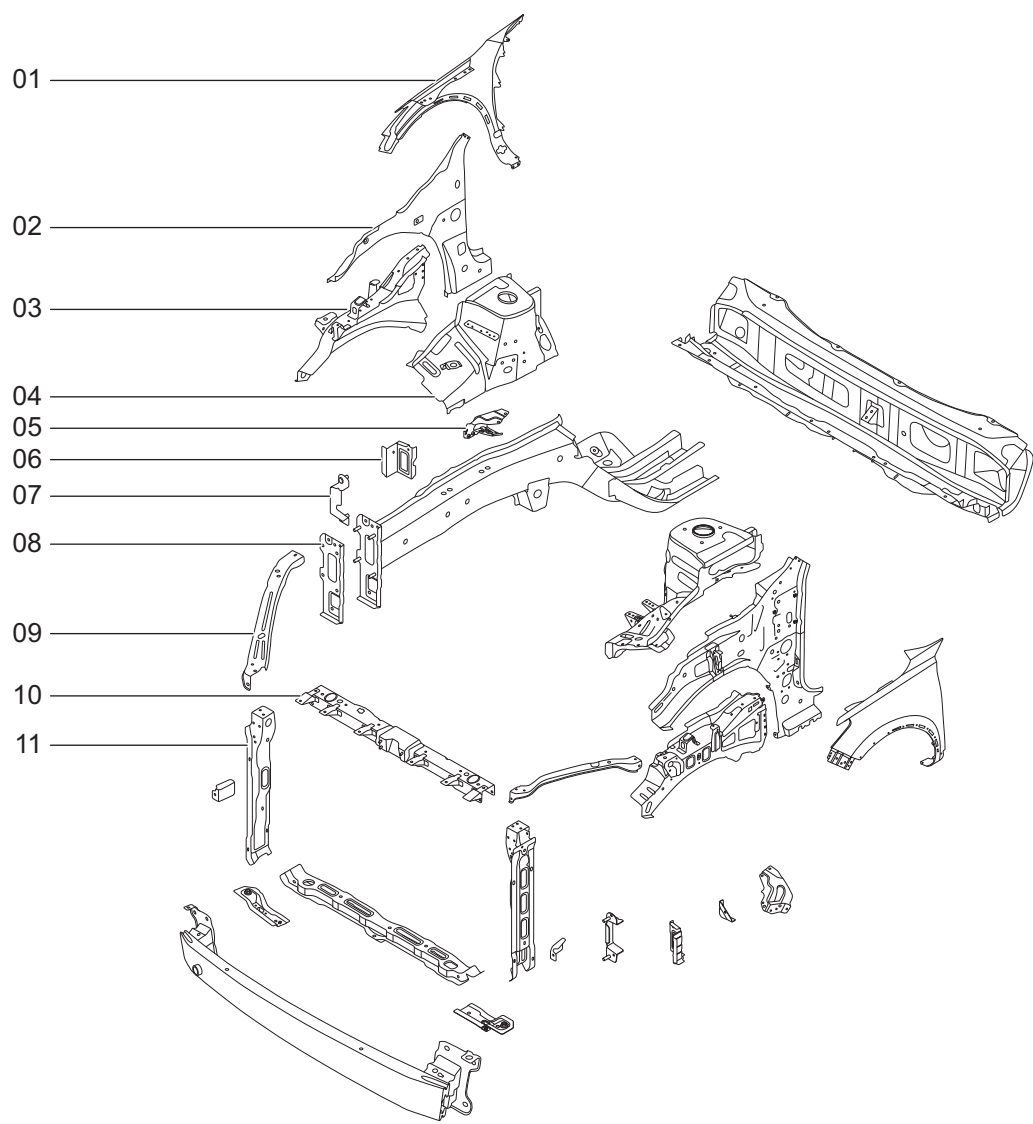


No.	Part No.	Station No.	Station Name	
11	552000148AADYJ	T1EKKK20001482701	Remove and reinstall Back door sheet metal assy	
		T1EKKK20001483651	Disassemble and reassemble Back door sheet metal assy	
		Ex: T1EKKK20001482701	Remove and reinstall Back door sheet metal assy	
		T1EKKK20001489201	Paint Back door sheet metal assy	
		T1EKKK20001489211	Paint Back door sheet metal assy	
		T1EKKK20001489221	Paint Back door sheet metal assy	
		T1EKKK20001489231	Paint Back door sheet metal assy	
		T1EKKK20001489501	Part paint Back door sheet metal assy	
12	552000040AADYJ	T1EKKK20000402701	Remove and reinstall Back door hinge assy	
		T1EKKK20000402761	Remove and reinstall Back door hinge assy	
13	551000931AADYJ	T1EKKK10009312701	Remove and reinstall RR door assy LH	
		T1EKKK10009313651	Disassemble and reassemble RR door assy LH	
		Ex: T1EKKK10009312701	Remove and reinstall RR door assy LH	
		T1EKKK10009319201	Paint RR door assy LH	
		T1EKKK10009319211	Paint RR door assy LH	
		T1EKKK10009319221	Paint RR door assy LH	
		T1EKKK10009319231	Paint RR door assy LH	
		T1EKKK10009319501	Part paint RR door assy LH	



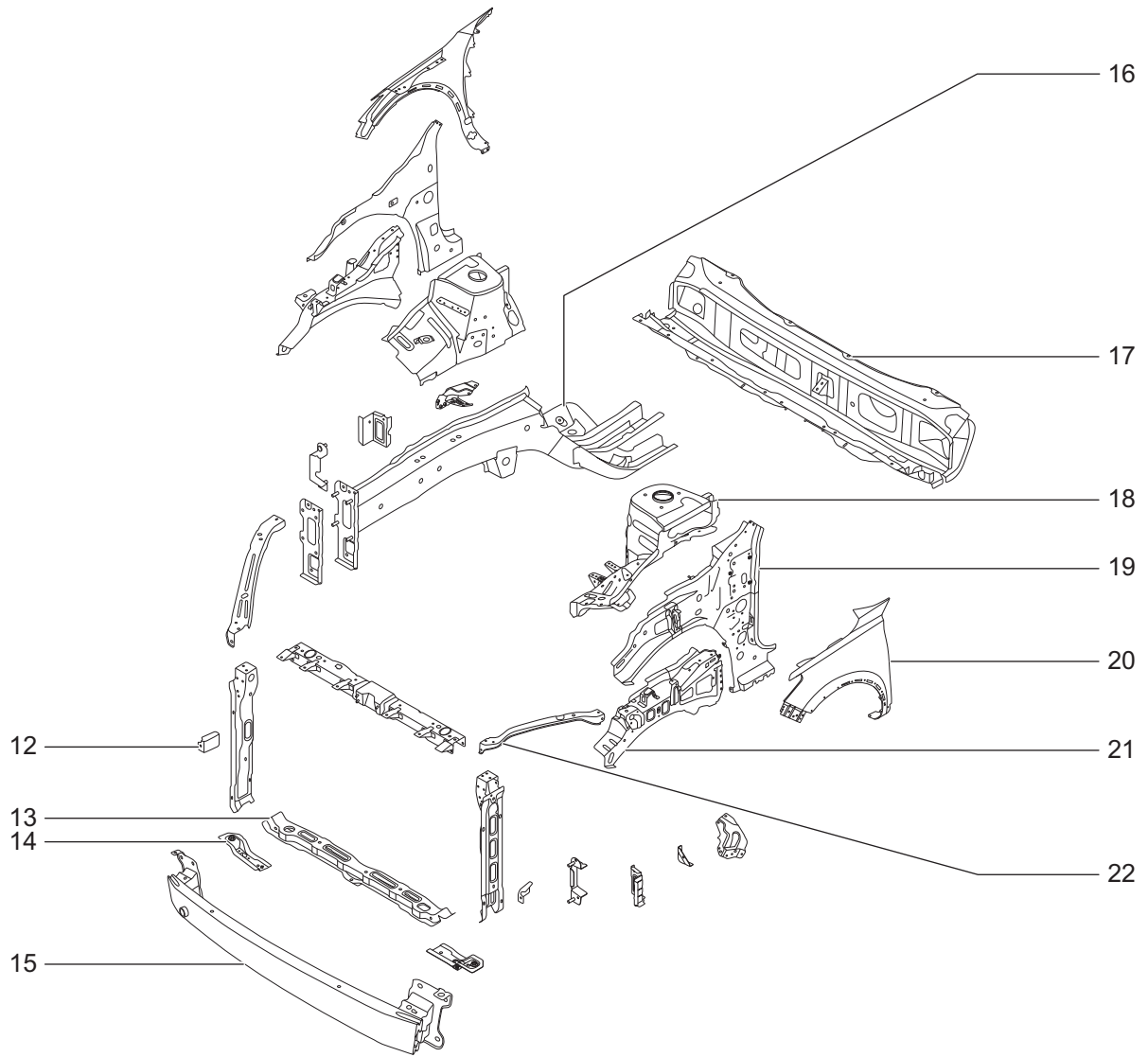
T1E110043

No.	Part No.	Station No.	Station Name	
14	928000078AADYJ	T1EKKK80000782701	Remove and reinstall FR door assy LH	
		T1EKKK80000783651	Disassemble and reassemble FR door assy LH	
		Ex: T1EKKK80000782701	Remove and reinstall FR door assy LH	
		T1EKKK80000789201	Paint FR door assy LH	
		T1EKKK80000789211	Paint FR door assy LH	
		T1EKKK80000789221	Paint FR door assy LH	
		T1EKKK80000789231	Paint FR door assy LH	
		T1EKKK80000789501	Part paint FR door assy LH	
15	J60-6106013-DY	T1EKKK61060132751	Remove and reinstall Door UPR hinge assy LH	
		Ex: T1EKKK10006882751	Remove and reinstall dashboard crossbeam body assy	
		Ex: T1EKKK10008672751	Remove and reinstall dashboard assy	
		Ex: T1EKKK10011252701	Remove and reinstall Auxiliary dashboard assy	
16	J60-6106012-DY	T1EKKK61060122751	Remove and reinstall Door body part assy LH	
		Ex: T1EKKK10006882751	Remove and reinstall dashboard crossbeam body assy	
		Ex: T1EKKK10008672751	Remove and reinstall dashboard assy	
		Ex: T1EKKK10011252701	Remove and reinstall Auxiliary dashboard assy	



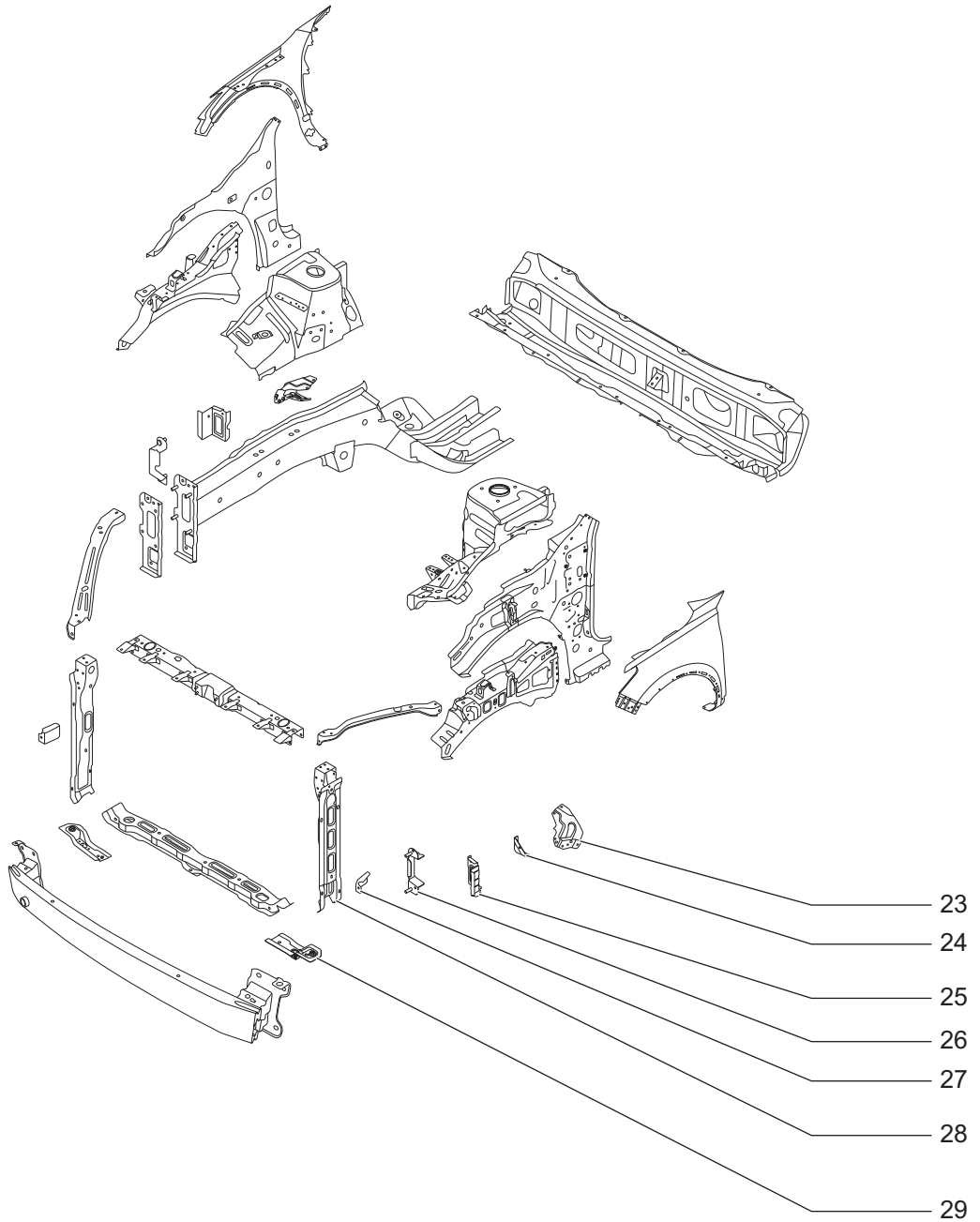
T1E110050

No.	Part No.	Station No.	Station Name	
01	553000206AADYJ	T1EKKK30002062701	Remove and reinstall Fender RH	
		T1EKKK30002069201	Paint Fender RH	
		T1EKKK30002069211	Paint Fender RH	
		T1EKKK30002069221	Paint Fender RH	
		T1EKKK30002069231	Paint Fender RH	
		T1EKKK30002069501	Part paint Fender RH	
02	J68-5300400-DY	T1EKKK53004002751	Remove and reinstall FR riser assy RH	
		Ex: T1EKKK30002062701	Remove and reinstall Fender RH	
03	502001482AADYJ	T1EKKK20014822701	Remove and reinstall FR wheel house UPR reinforcement beam OTR plate assy RH	
04	T15-8403400-DY	T1EKKK84034002701	Remove and reinstall FR wheel house assy RH	
05	501001708AADYJ	T1EKKK10017082751	Remove and reinstall FR fender FR mounting bracket assy RH	
		Ex: T1EKKK30002062701	Remove and reinstall Fender RH	
06	T15-8400352-DY	T1EKKK84003522751	Remove and reinstall FR sub frame FR RH mounting OTR panel	
		Ex: T1EKKK20005862701	Remove and reinstall FR bumper body assy	
07	T15-8400520-DY	T1EKKK84005202751	Remove and reinstall FR bumper crossbeam RH mounting connecting INR plate assy	
		Ex: T1EKKK20005862701	Remove and reinstall FR bumper body assy	
08	T15-5300660-DY	T1EKKK53006602751	Remove and reinstall FR bumper crossbeam mounting plate assy RH	
		Ex: T1EKKK20005862701	Remove and reinstall FR bumper body assy	
09	501001400AADYJ	T1EKKK10014002751	Remove and reinstall Headlight mounting crossbeam assy RH	
		Ex: T1EKKK20005862701	Remove and reinstall FR bumper body assy	
10	509001130AADYJ	T1EKKK90011302751	Remove and reinstall Radiator UPR crossbeam assy	
		Ex: T1EKKK20005862701	Remove and reinstall FR bumper body assy	
11	T15-5300620-DY	T1EKKK53006202751	Remove and reinstall Radiator side panel assy RH	
		Ex: T1EKKK20005862701	Remove and reinstall FR bumper body assy	



T1E110051

No.	Part No.	Station No.	Station Name
12	501001659AADYJ	T1EKKK10016592751	Remove and reinstall Headlight bracket assy RH
		Ex: T1EKKK20005862701	Remove and reinstall FR bumper body assy
13	T15-5300810-DY	T1EKKK53008102751	Remove and reinstall Tank LWR crossmember sub-assy
		Ex: T1EKKK20005862701	Remove and reinstall FR bumper body assy
14	T15-5300840-DY	T1EKKK53008402751	Remove and reinstall Tank LWR crossbeam reinforcement plate assy RH
		Ex: T1EKKK20005862701	Remove and reinstall FR bumper body assy
15	501001677AADYJ	T1EKKK10016772751	Remove and reinstall FR anti-collision crossbeam assy
		Ex: T1EKKK20005862701	Remove and reinstall FR bumper body assy
16	501003687AADYJ	T1EKKK10036872701	Remove and reinstall FR side rail assy RH
17	501000636AADYJ	T1EKKK10006362701	Remove and reinstall LWR crossbeam assy-FR windshield
18	T15-8403300-DY	T1EKKK84033002701	Remove and reinstall FR wheel house assy LH
19	J68-5300300-DY	T1EKKK53003002751	Remove and reinstall FR riser assy LH
		Ex: T1EKKK30002052701	Remove and reinstall Fender LH
20	553000205AADYJ	T1EKKK30002052701	Remove and reinstall Fender LH
		T1EKKK30002059201	Paint Fender LH
		T1EKKK30002059211	Paint Fender LH
		T1EKKK30002059221	Paint Fender LH
		T1EKKK30002059231	Paint Fender LH
		T1EKKK30002059501	Part paint Fender LH
21	502001481AADYJ	T1EKKK20014812701	Remove and reinstall FR wheel house UPR reinforcement beam OTR plate assy LH
22	501001398AADYJ	T1EKKK10013982751	Remove and reinstall Headlight mounting crossbeam assy LH
		Ex: T1EKKK20005862701	Remove and reinstall FR bumper body assy



T1E110052

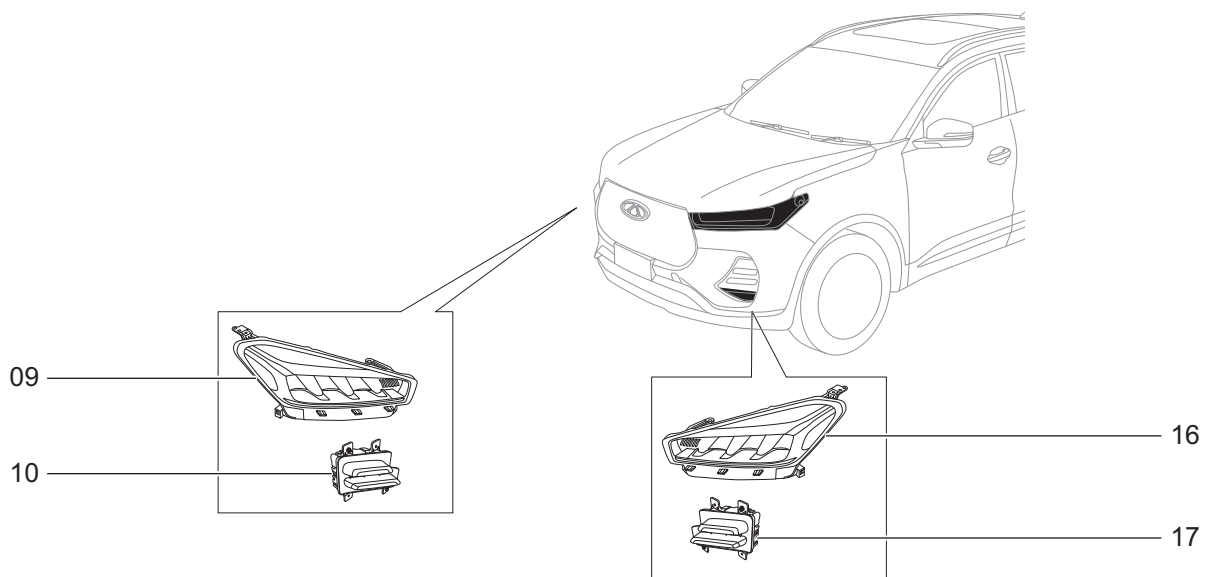
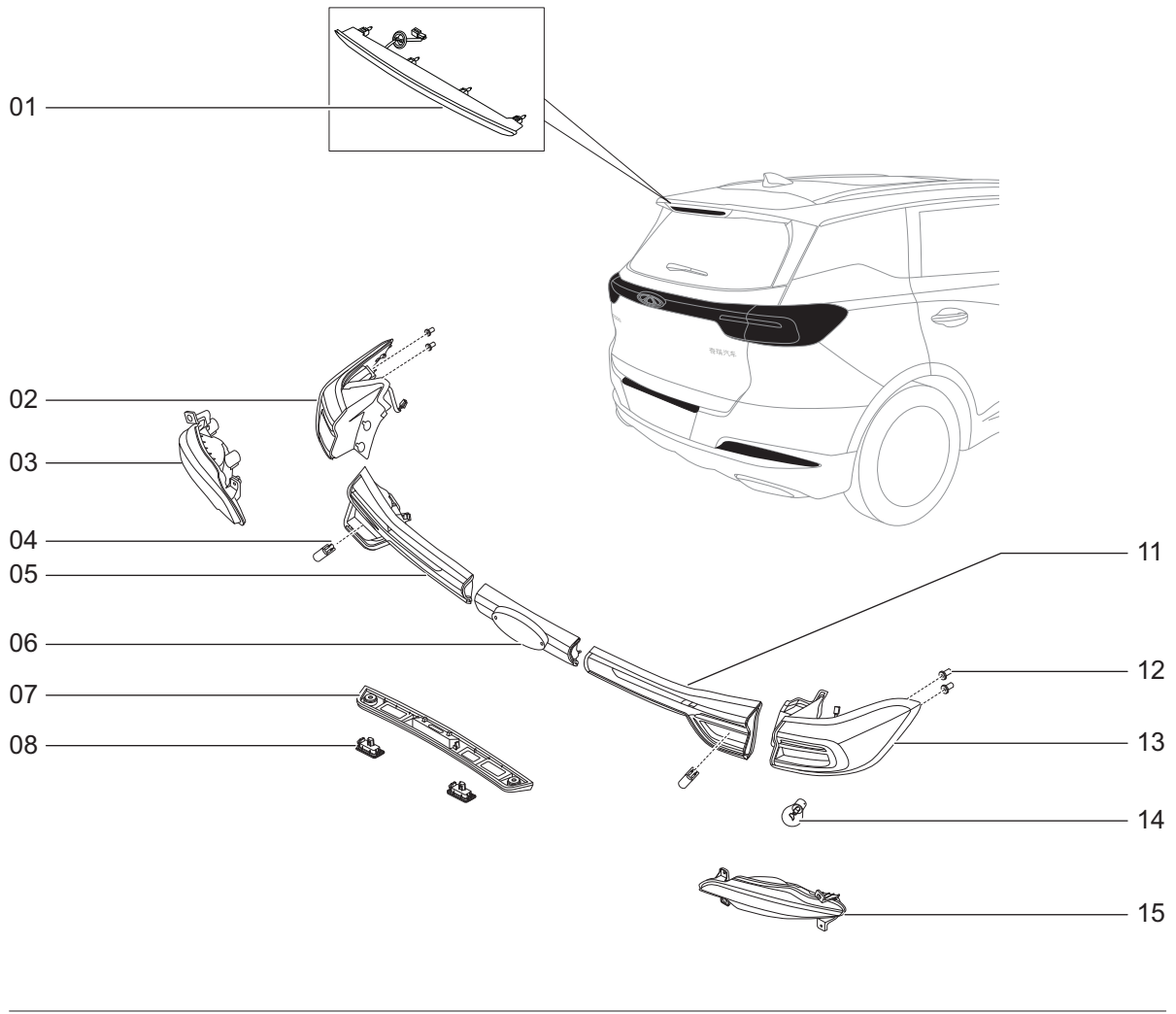


No.	Part No.	Station No.	Station Name
23	501001705AADYJ	T1EKKK10017052751	Remove and reinstall FR fender FR mounting bracket assy LH
		Ex: T1EKKK30002052701	Remove and reinstall Fender LH
24	T15-5300529-DY	T1EKKK53005292751	Remove and reinstall Tank pillar support plate
		Ex: T1EKKK20005862701	Remove and reinstall FR bumper body assy
25	T15-8400351-DY	T1EKKK84003512751	Remove and reinstall FR sub frame FR LH mounting OTR panel
		Ex: T1EKKK20005862701	Remove and reinstall FR bumper body assy
26	T15-8400510-DY	T1EKKK84005102751	Remove and reinstall FR bumper crossbeam LH mounting connecting INR plate assy
		Ex: T1EKKK20005862701	Remove and reinstall FR bumper body assy
27	501001660AADYJ	T1EKKK10016602751	Remove and reinstall Headlight bracket assy LH
		Ex: T1EKKK20005862701	Remove and reinstall FR bumper body assy
28	T15-5300610-DY	T1EKKK53006102751	Remove and reinstall Radiator side panel assy LH
		Ex: T1EKKK20005862701	Remove and reinstall FR bumper body assy
29	T15-5300830-DY	T1EKKK53008302751	Remove and reinstall Tank LWR crossbeam connecting plate assy LH
		Ex: T1EKKK20005862701	Remove and reinstall FR bumper body assy



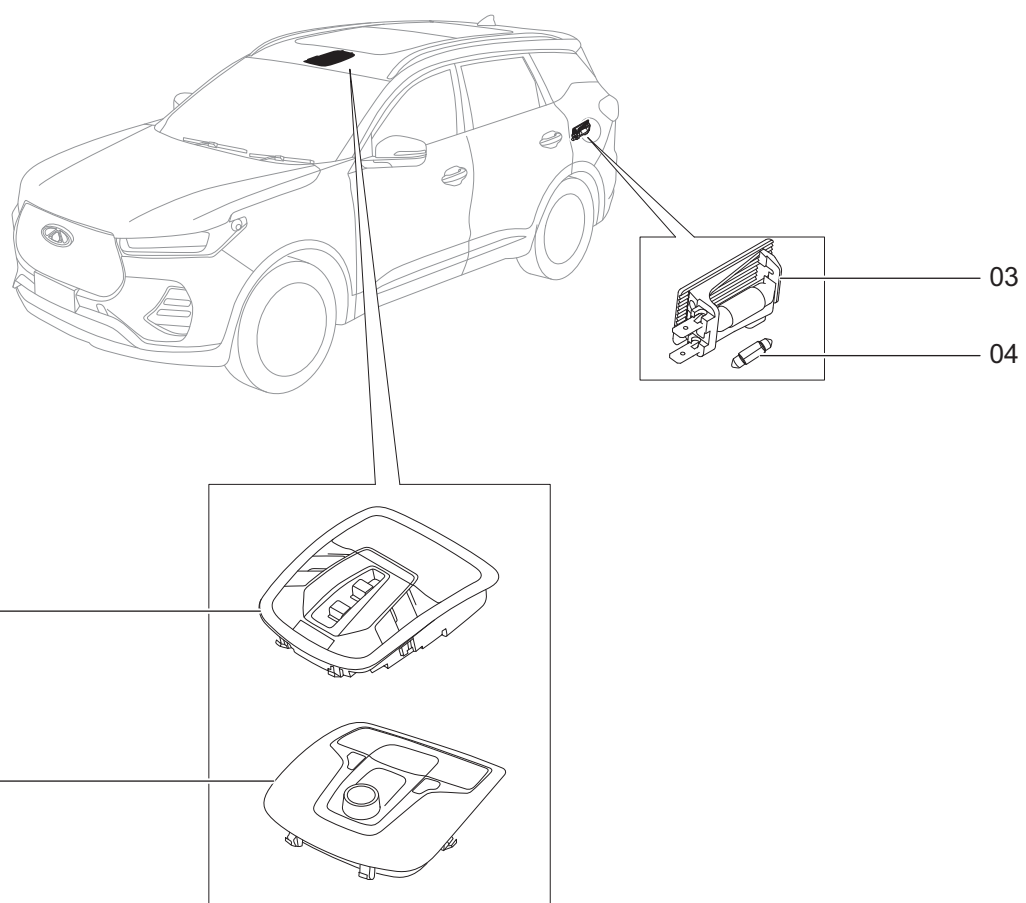
## **ELECTRICAL**

<b>External illumination unit .....</b>	<b>12-2</b>
<b>Cabin illumination unit.....</b>	<b>12-4</b>
<b>Glass regulator mechanism .....</b>	<b>12-6</b>
<b>Washer system .....</b>	<b>12-8</b>
<b>FR wiper system.....</b>	<b>12-10</b>
<b>RR wiper system .....</b>	<b>12-12</b>
<b>Instrument cluster .....</b>	<b>12-14</b>
<b>Speaker, power amplifier .....</b>	<b>12-16</b>
<b>Radio antenna, Audio .....</b>	<b>12-18</b>
<b>Personal device interface module (Multi-function interface module) .....</b>	<b>12-20</b>
<b>Parking assist system.....</b>	<b>12-22</b>
<b>BCM .....</b>	<b>12-24</b>
<b>Tire pressure monitoring system .....</b>	<b>12-26</b>
<b>Horn .....</b>	<b>12-28</b>
<b>Passive entry &amp; passive start system .....</b>	<b>12-30</b>
<b>Engine compartment wiring harness .....</b>	<b>12-32</b>
<b>Dashboard wire harness.....</b>	<b>12-36</b>
<b>Cab floor wiring harness .....</b>	<b>12-38</b>
<b>Other wire harness.....</b>	<b>12-40</b>
<b>Power supply system.....</b>	<b>12-42</b>
<b>Backup power and cigarette lighter .....</b>	<b>12-44</b>
<b>Combination switch assembly (Angle sensor).....</b>	<b>12-46</b>
<b>Other switch.....</b>	<b>12-48</b>
<b>Touch type switch .....</b>	<b>12-50</b>
<b>Center gateway system .....</b>	<b>12-52</b>



T1E120010

No.	Part No.	Station No.	Station Name	
01	605000313AA	T1EKKK50003132751 Ex: T1EKKK90005422751 Ex: T1EKKK30001252701	Remove and reinstall High mounted brake lamp assy Remove and reinstall Spoiler assy Remove and reinstall Back door UPR protector assy	
02	605000201AA	T1EKKK50002012701	Remove and reinstall RR combination light (fixed) assy LH	
03	605000282AA	T1EKKK50002822751 Ex: T1EKKK20006092701	Remove and reinstall RR fog light assy LH Remove and reinstall RR bumper body assy	
04	M11-3772013	T1EKKK37720132701	Remove and reinstall Bulb	
05	605000203AA	T1EKKK50002032701	Remove and reinstall RR combination light (movable) assy LH	
06	605000205AA	T1EKKK50002052701	Remove and reinstall Back door trim light assy	
07	T15-5608010	T1EKKK56080102701	Remove and reinstall License plate light protector assy	
08	T15-4408010	T1EKKK44080102701	Remove and reinstall License plate lamp assy	
09	605000200AA	T1EKKK50002002751 Ex: T1EKKK20005862701	Remove and reinstall Headlamp assy RH (LED) Remove and reinstall FR bumper body assy	
10	605000269AA	T1EKKK50002692751 Ex: T1EKKK20005869211	Remove and reinstall Daytime running lamp assy RH Paint FR bumper body assy	
11	605000204AA	T1EKKK50002042701	Remove and reinstall RR combination light (movable) assy RH	
12	605000029AA	T1EKKK50000292701	Remove and reinstall Ball pin sleeve	
13	605000202AA	T1EKKK50002022701	Remove and reinstall RR combination light (fixed) assy RH	
14	A11-3726013 A11-3773013	T1EKKK37260132701 T1EKKK37730132701	Remove and reinstall Bulb Remove and reinstall Bulb	
15	605000283AA	T1EKKK50002832751 Ex: T1EKKK20006092701	Remove and reinstall RR fog light assy RH Remove and reinstall RR bumper body assy	
16	605000199AA	T1EKKK50001992751 Ex: T1EKKK20005862701	Remove and reinstall Headlamp assy LH (LED) Remove and reinstall FR bumper body assy	
17	605000268AA	T1EKKK50002682751 Ex: T1EKKK20005862701	Remove and reinstall Daytime running lamp assy LH Remove and reinstall FR bumper body assy	



T1E120020

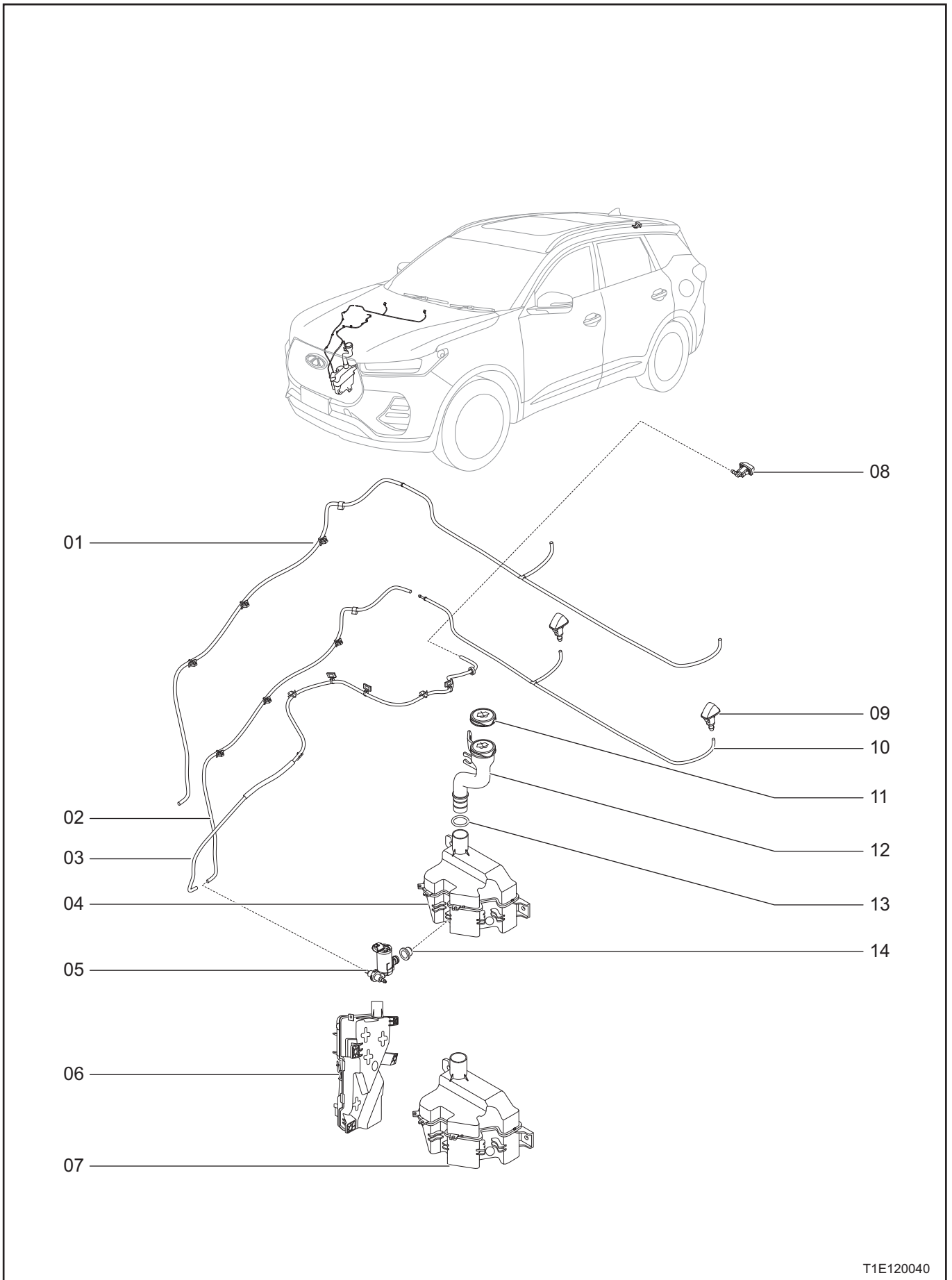
No.	Part No.	Station No.	Station Name	
01	605000291AA	T1EKKK50002912701	Remove and reinstall Interior FR dome lamp assy	
02	605000219AA	T1EKKK50002192701	Remove and reinstall Interior FR dome lamp assy	
03	M11-3714030	T1EKKK37140302701	Remove and reinstall Luggage compartment lamp assy	
04	A11-3714011	T1EKKK37140112701	Remove and reinstall Bulb	



T1E120030

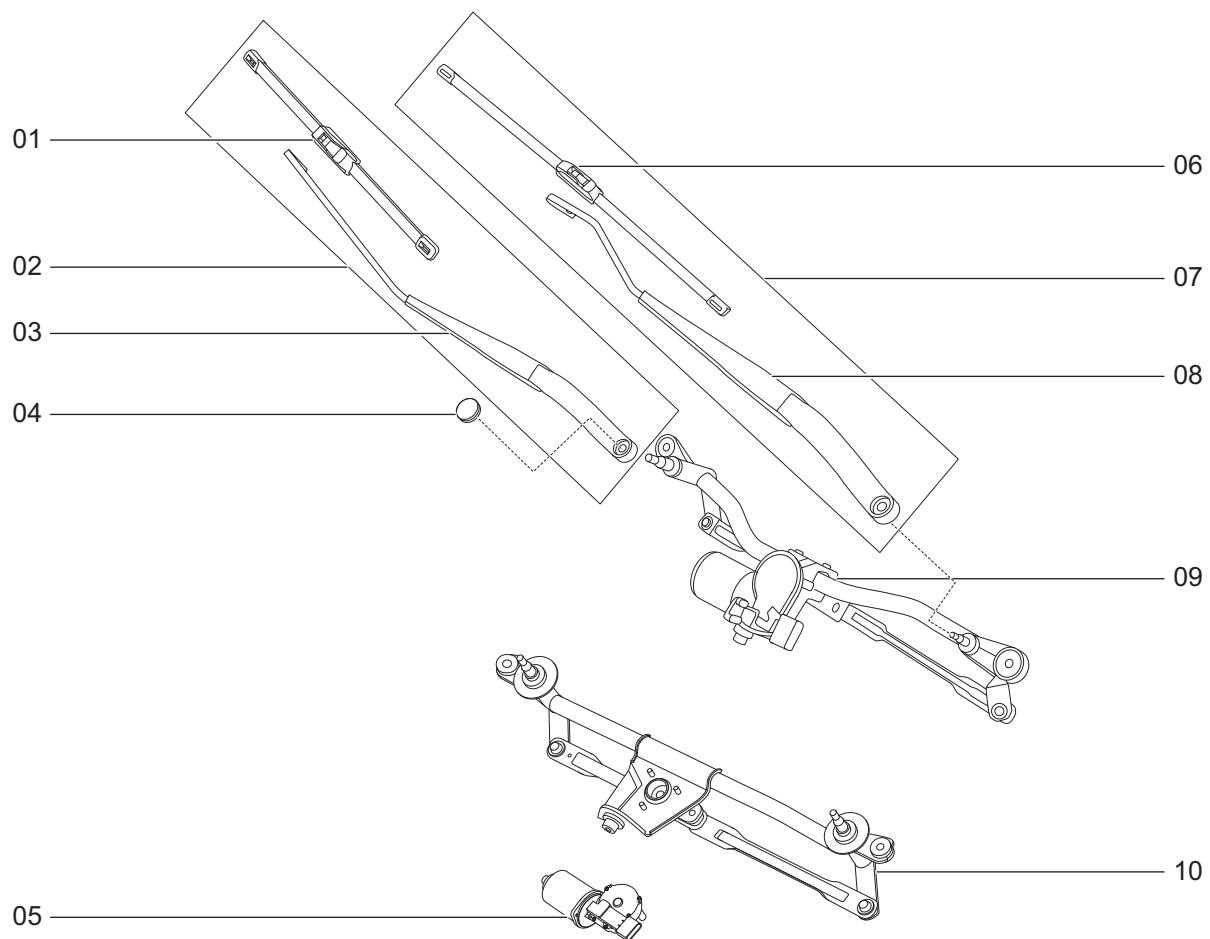


No.	Part No.	Station No.	Station Name	
01	J68-6204110	T1EKKK62041102751	Remove and reinstall RR door power glass regulator assy LH	
		Ex: T1EKKK30014172701	Remove and reinstall RR door protector assy LH	
02	J68-6204120	T1EKKK62041202751	Remove and reinstall RR door power glass regulator assy RH	
		Ex: T1EKKK30014182701	Remove and reinstall RR door protector assy RH	
03	J68-6104110	T1EKKK61041102751	Remove and reinstall FR door power glass regulator assy LH	
		Ex: T1EKKK30014522701	Remove and reinstall FR door protector assy LH	
04	J68-6104120	T1EKKK61041202751	Remove and reinstall FR door power glass regulator assy RH	
		Ex: T1EKKK30014532701	Remove and reinstall FR door protector assy RH	



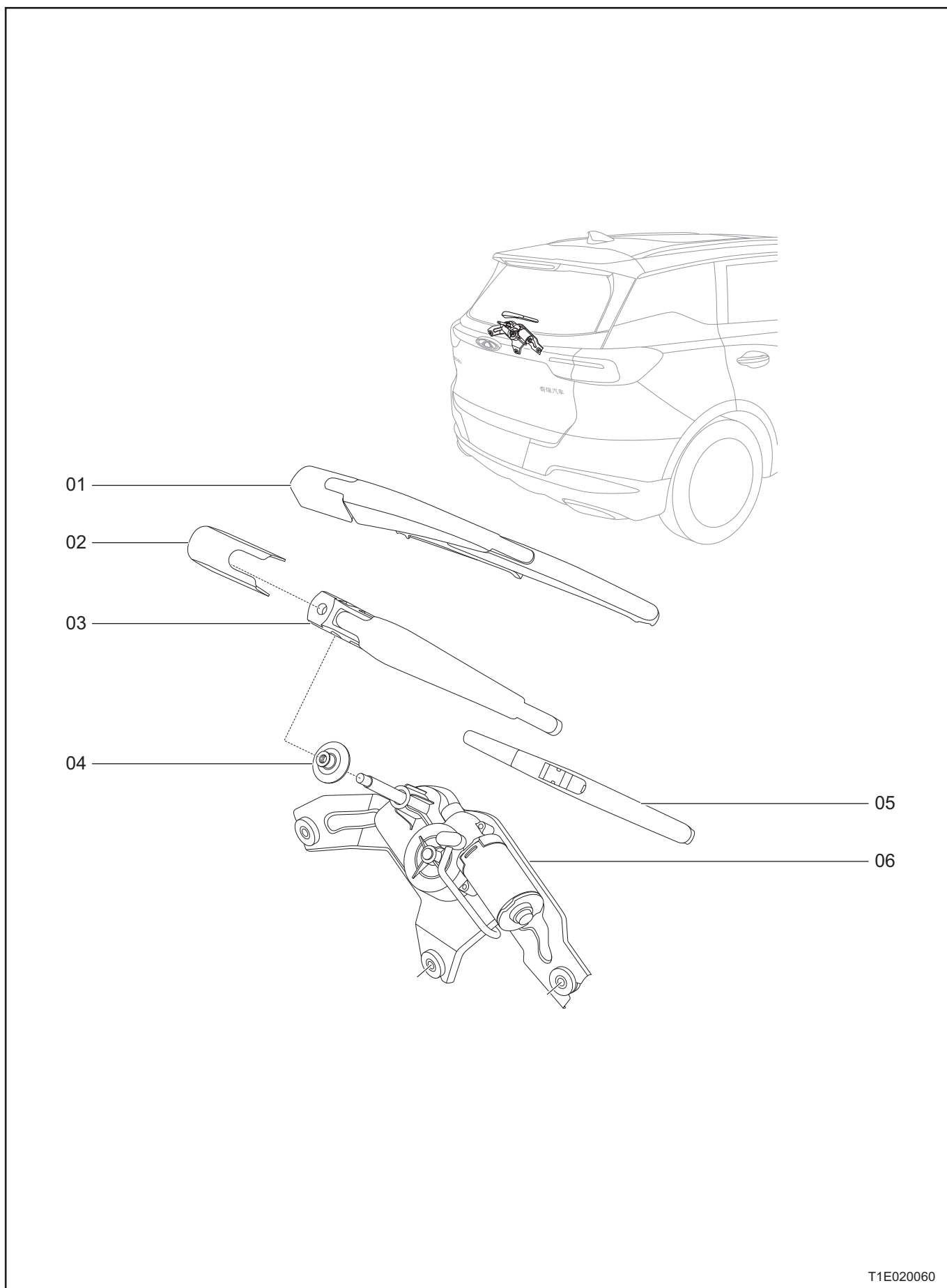
T1E120040

No.	Part No.	Station No.	Station Name	
01	J68-5207130	T1EKKK52071302751	Remove and reinstall FR washer pipe assy	
		Ex: T1EKKK52071332751	Remove and reinstall Line 2	
		Ex: T1EKKK52071312751	Remove and reinstall Line 1	
		Ex: T1EKKK20006472751	Remove and reinstall FR wheel house protector assy RH	
		Ex: T1EKKK90005002701	Remove and reinstall FR wheel arch trim assy RH	
		Ex: T1EKKK53020102701	Remove and reinstall Front windshield LWR trim panel assy	
02	J68-5207131	T1EKKK52071312751	Remove and reinstall Line 1	
		Ex: T1EKKK20006472751	Remove and reinstall FR wheel house protector assy RH	
		Ex: T1EKKK90005002701	Remove and reinstall FR wheel arch trim assy RH	
03	J68-5207180	T1EKKK52071802701	Remove and reinstall RR washer line assy	
04	S18C-5207111	T1EKKK52071112751	Remove and reinstall Washer reservoir	
		Ex: T1EKKK20005862701	Remove and reinstall FR bumper body assy	
05	T21-5207023	T1EKKK52070232701	Remove and reinstall Double outlet washer motor	
06	607000093AA	T1EKKK70000932751	Remove and reinstall Washer reservoir assy	
		Ex: T1EKKK20005862701	Remove and reinstall FR bumper body assy	
07	J68-5207110	T1EKKK52071102751	Remove and reinstall Washer reservoir assy	
		Ex: T1EKKK20005862701	Remove and reinstall FR bumper body assy	
08	M12-5207190	T1EKKK52071902751	Remove and reinstall RR nozzle assy	
		Ex: T1EKKK90005422751	Remove and reinstall Spoiler assy	
		Ex: T1EKKK30001252701	Remove and reinstall Back door UPR protector assy	
09	J69-5207171	T1EKKK52071712701	Remove and reinstall Nozzle	
10	J68-5207133	T1EKKK52071332751	Remove and reinstall Line 2	
		Ex: T1EKKK53020102701	Remove and reinstall Front windshield LWR trim panel assy	
11	J68-5207153	T1EKKK52071532701	Remove and reinstall Reservoir cap	
12	J68-5207150	T1EKKK52071502701	Remove and reinstall Guide pipe assy	
13	J68-5207155	T1EKKK52071552751	Remove and reinstall Guide pipe seal ring	
		Ex: T1EKKK52071502701	Remove and reinstall Guide pipe assy	
14	A21-5207025	T1EKKK52070252751	Remove and reinstall Washer pump seal ring	
		Ex: T1EKKK52070232701	Remove and reinstall Double outlet washer motor	

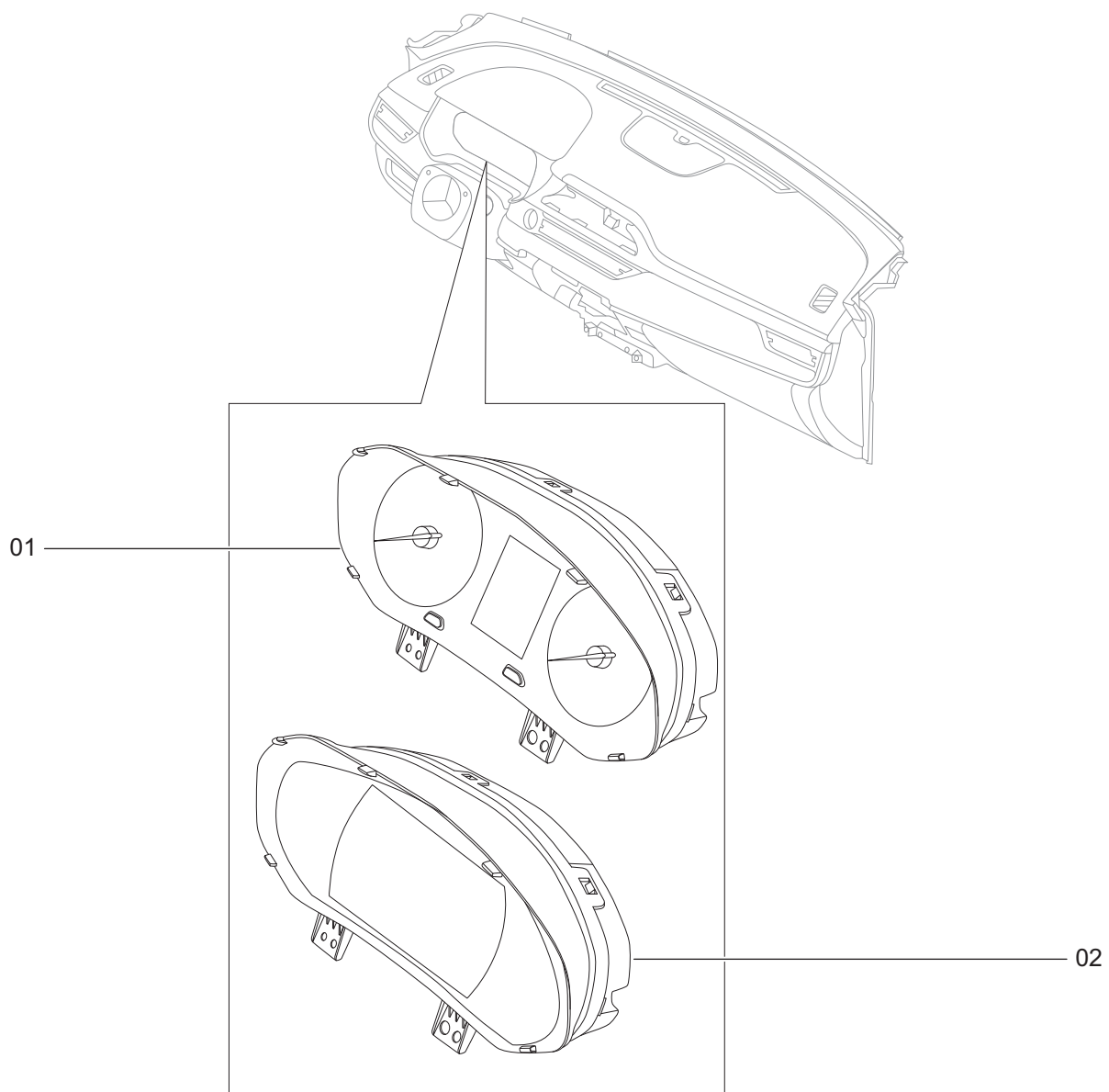


T1E120050

No.	Part No.	Station No.	Station Name	
01	J68-5205143	T1EKKK52051432701	Remove and reinstall Sub wiper blade	
02	J68-5205140	T1EKKK52051402701	Remove and reinstall Sub wiper arm assy	
03	J68-5205141	T1EKKK52051412701	Remove and reinstall Sub wiper arm	
04	J68-5205171	T1EKKK52051712701	Remove and reinstall Trim cap	
05	J68-5205111	T1EKKK52051112751 Ex: T1EKKK52051102751 Ex: T1EKKK53020102701	Remove and reinstall Wiper motor Remove and reinstall Motor and link assy Remove and reinstall Front windshield LWR trim panel assy	
06	J68-5205153	T1EKKK52051532701	Remove and reinstall Main wiper blade	
07	J68-5205130	T1EKKK52051302701	Remove and reinstall Main wiper arm assy	
08	J68-5205131	T1EKKK52051312701	Remove and reinstall Main wiper arm	
09	608000035AA	T1EKKK80000352751 Ex: T1EKKK53020102701	Remove and reinstall Motor and link assy Remove and reinstall Front windshield LWR trim panel assy	
	J68-5205110	T1EKKK52051102751 Ex: T1EKKK53020102701	Remove and reinstall Motor and link assy Remove and reinstall Front windshield LWR trim panel assy	
10	J68-5205113	T1EKKK52051132751 Ex: T1EKKK52051102751 Ex: T1EKKK53020102701	Remove and reinstall Wiper link Remove and reinstall Motor and link assy Remove and reinstall Front windshield LWR trim panel assy	



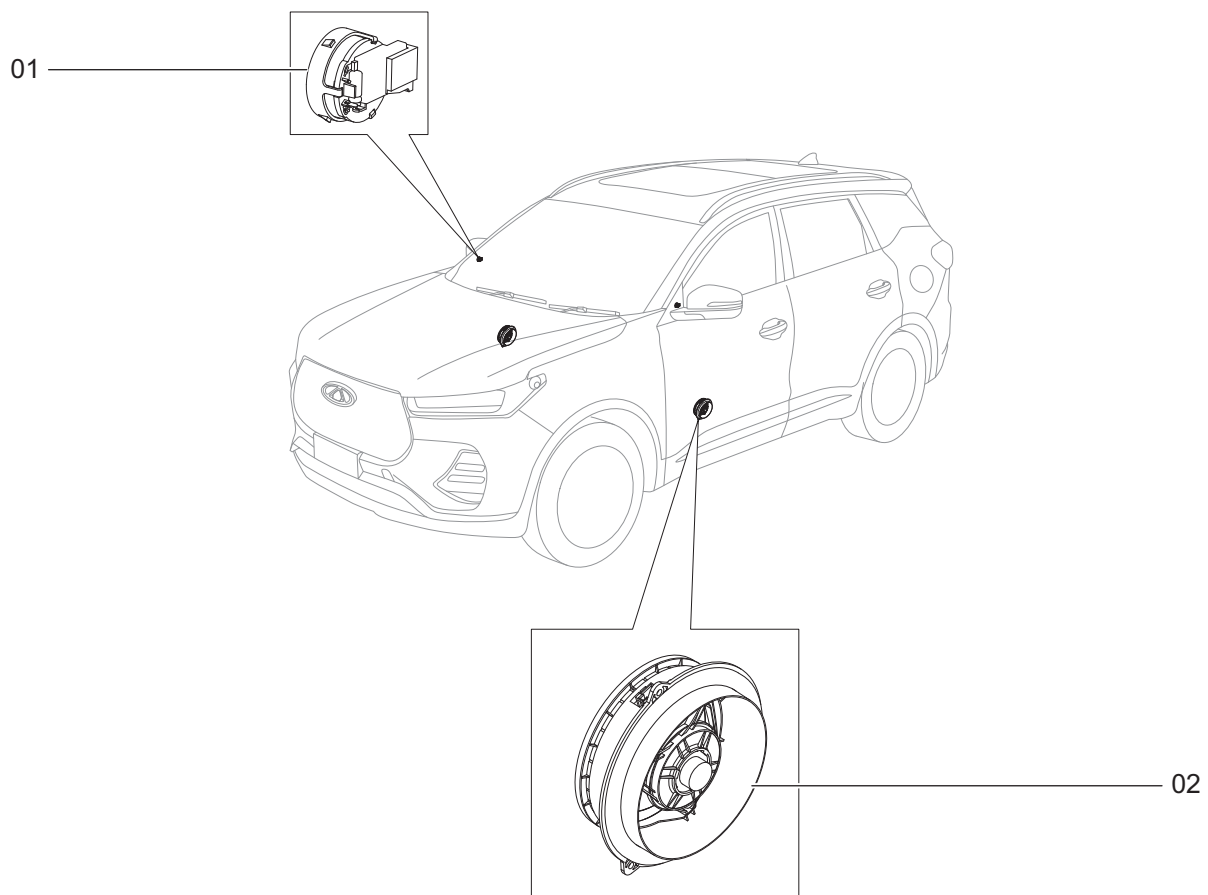
No.	Part No.	Station No.	Station Name	
01	608000105AA	T1EKKK80001052701	Remove and reinstall RR wiper arm assy	
02	608000108AA	T1EKKK80001082701	Remove and reinstall Trim cap	
03	608000106AA	T1EKKK80001062701	Remove and reinstall RR wiper arm	
04	608000019AA	T1EKKK80000192751	Remove and reinstall Rubber ring	
		Ex: T1EKKK80001062701	Remove and reinstall RR wiper arm	
05	608000107AA	T1EKKK80001072701	Remove and reinstall RR wiper blade	
06	608000014AA	T1EKKK80000142751	Remove and reinstall RR wiper motor assy	
		Ex: T1EKKK30001282751	Remove and reinstall Back door LWR protector assy	
		Ex: T1EKKK30001272751	Remove and reinstall Back door protector assy RH	
		Ex: T1EKKK30001262751	Remove and reinstall Back door protector assy LH	
		Ex: T1EKKK30001252701	Remove and reinstall Back door UPR protector assy	



T1E020070

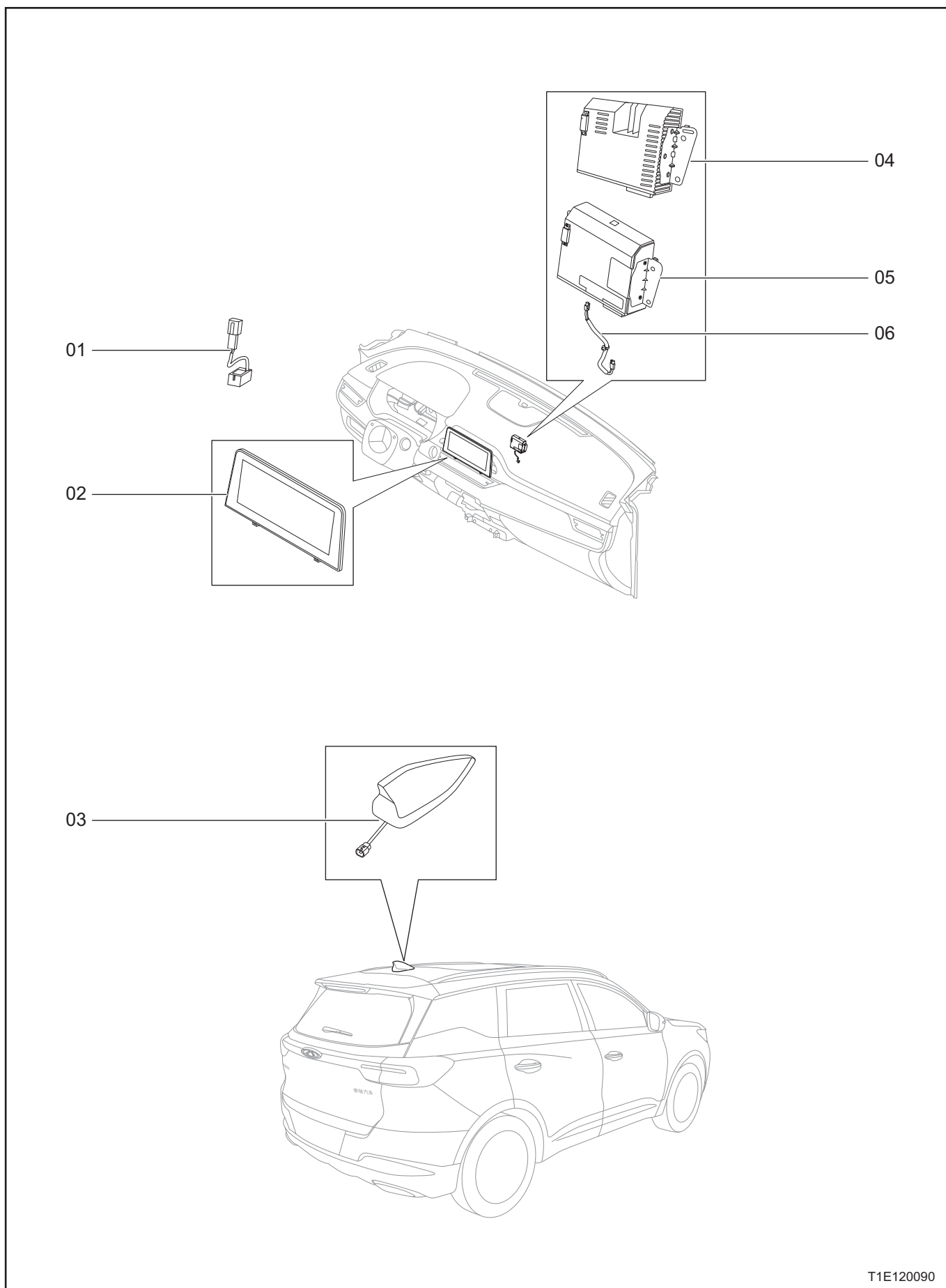


No.	Part No.	Station No.	Station Name	
01	701000075AA	T1EKKK10000752751	Remove and reinstall Instrument cluster	
		Ex: T1EKKK10009302751	Remove and reinstall Instrument cluster rim frame assy	
		Ex: T1EKKK10010372701	Remove and reinstall Instrument cluster FR cover	
02	701000133AA	T1EKKK10001332751	Remove and reinstall Instrument cluster	
		Ex: T1EKKK10009302751	Remove and reinstall Instrument cluster rim frame assy	
		Ex: T1EKKK10010372701	Remove and reinstall Instrument cluster FR cover	



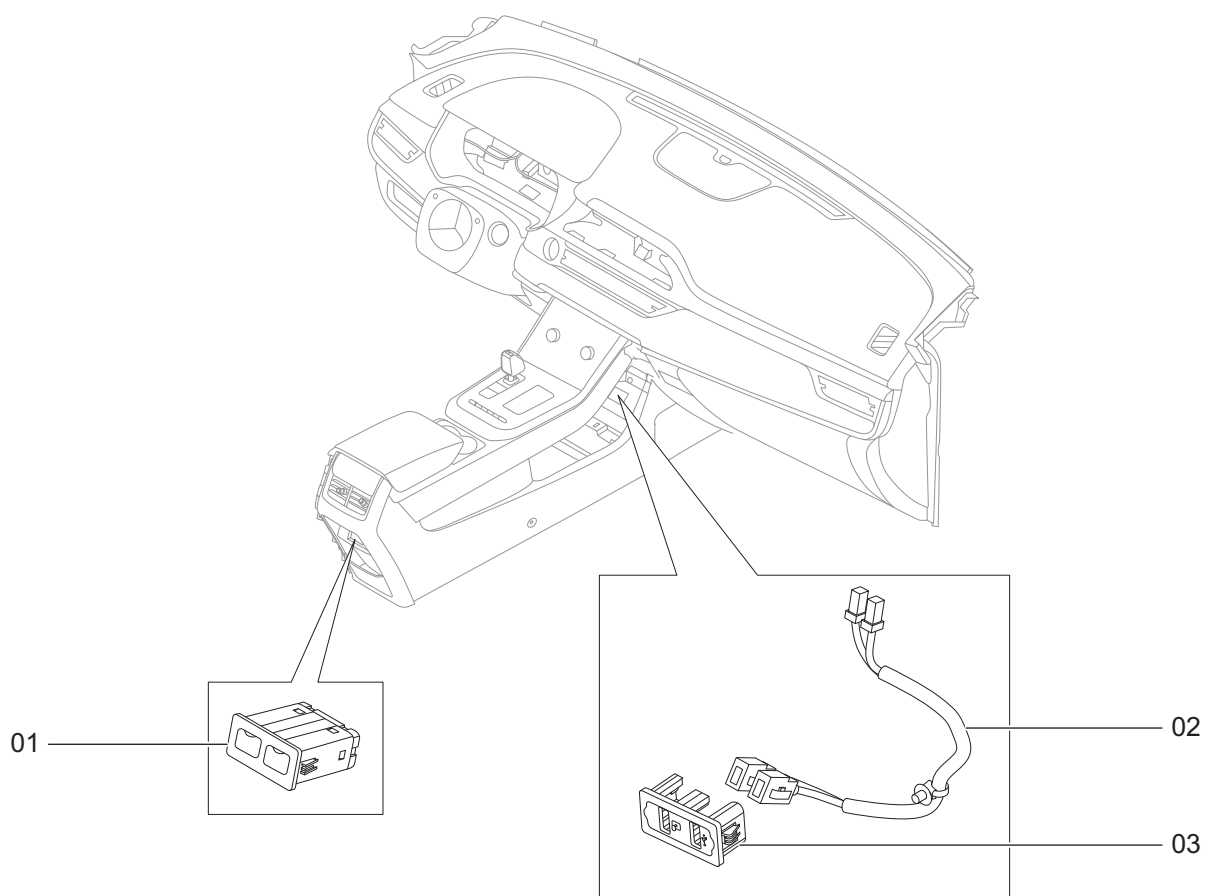
T1E120080

No.	Part No.	Station No.	Station Name	
01	703000312AA	T1EKKK30003122751	Remove and reinstall Tweeter	
		Ex: T1EKKK30012732701	Remove and reinstall Pillar A UPR protector assy LH	
		T1EKKK30003122761	Remove and reinstall Tweeter	
		Ex: T1EKKK30012742701	Remove and reinstall Pillar A UPR protector assy RH	
02	703000310AA	T1EKKK30003102751	Remove and reinstall FR door woofer	
		Ex: T1EKKK30027992701	Remove and reinstall FR door protector with switch assy LH	
		T1EKKK30003102761	Remove and reinstall FR door woofer	
		Ex: T1EKKK30028002701	Remove and reinstall FR door protector with switch assy RH	



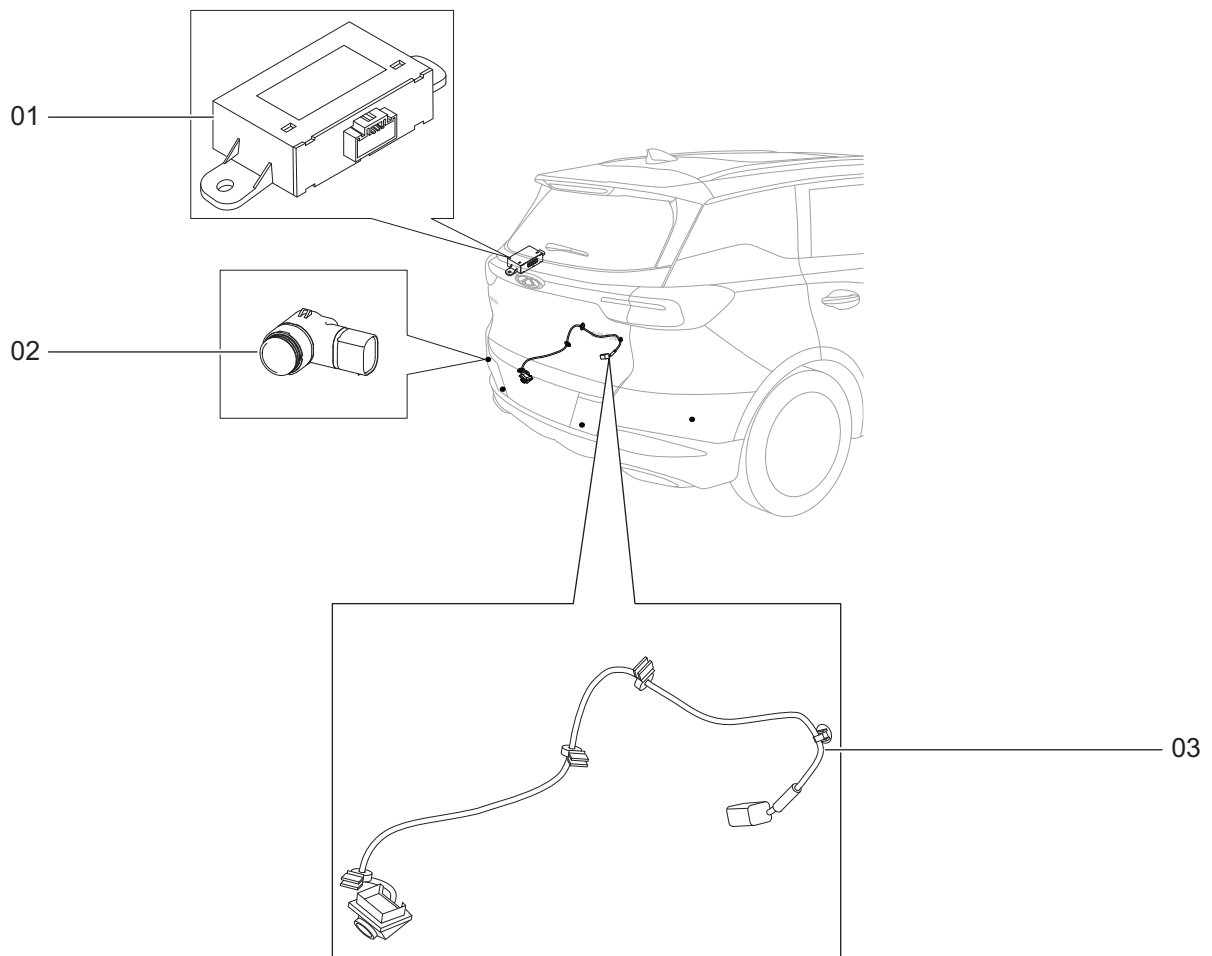
T1E120090

No.	Part No.	Station No.	Station Name	
01	703000404AA	T1EKKK30004042751	Remove and reinstall Microphone	
		Ex: T1EKKK50002912701	Remove and reinstall Interior FR dome lamp assy	
02	703000197AA	T1EKKK30001972701	Remove and reinstall Audio head unit display	
03	703000018AA	T1EKKK30000182701	Remove and reinstall Radio antenna	
04	703000464AA	T1EKKK30004642751	Remove and reinstall No Disc DVD	
		Ex: T1EKKK10008672751	Remove and reinstall dashboard assy	
		Ex: T1EKKK10011252701	Remove and reinstall Auxiliary dashboard assy	
05	703000202AA	T1EKKK30002022751	Remove and reinstall No Disc DVD	
		Ex: T1EKKK10008672751	Remove and reinstall dashboard assy	
		Ex: T1EKKK10011252701	Remove and reinstall Auxiliary dashboard assy	
06	703000198AA	T1EKKK30001982751	Remove and reinstall Display connecting wire	
		Ex: T1EKKK10011252701	Remove and reinstall Auxiliary dashboard assy	



T1E120100

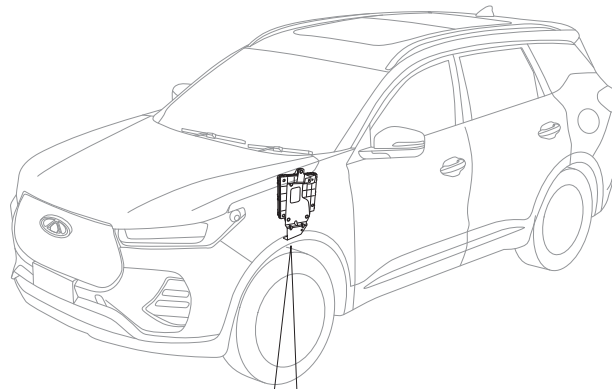
No.	Part No.	Station No.	Station Name	
01	703000140AA	T1EKKK30001402751	Remove and reinstall USB charging module	
		Ex: T1EKKK10007872701	Remove and reinstall Auxiliary fascia console RR panel assy	
02	703000232AA	T1EKKK30002322751	Remove and reinstall USB connecting wire(FR)	
		Ex: T1EKKK10011252701	Remove and reinstall Auxiliary dashboard assy	
03	J68-7901015	T1EKKK79010152701	Remove and reinstall Multi function interface	



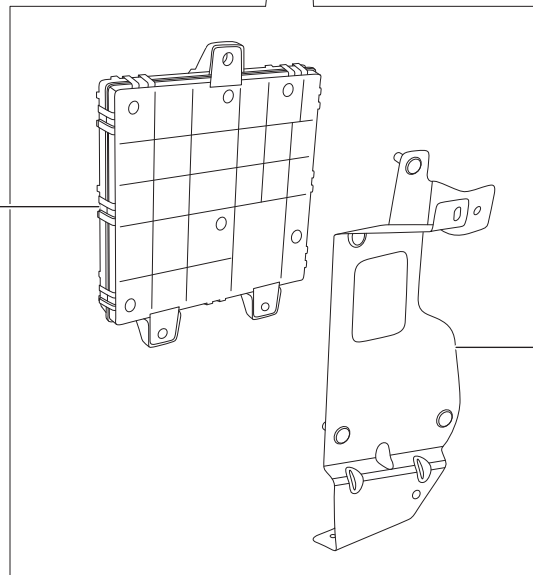
T1E120110



No.	Part No.	Station No.	Station Name	
01	704000160AA	T1EKKK40001602701	Remove and reinstall Radar control module	
02	704000156AA	T1EKKK40001562751 Ex: T1EKKK20006092701	Remove and reinstall Probe (RR) Remove and reinstall RR bumper body assy	
03	704000154AA	T1EKKK40001542751 Ex: T1EKKK56080102701	Remove and reinstall RR camera Remove and reinstall License plate light protector assy	



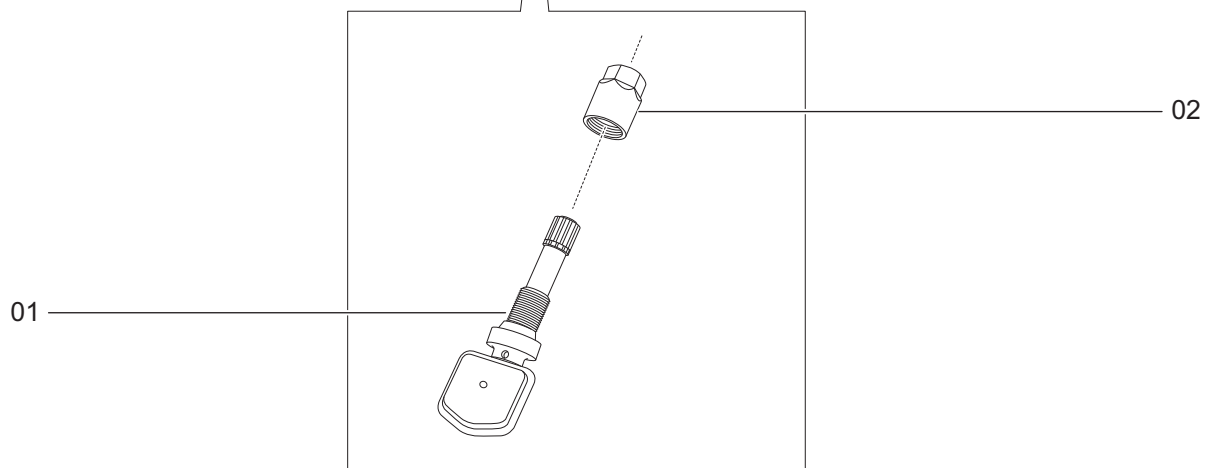
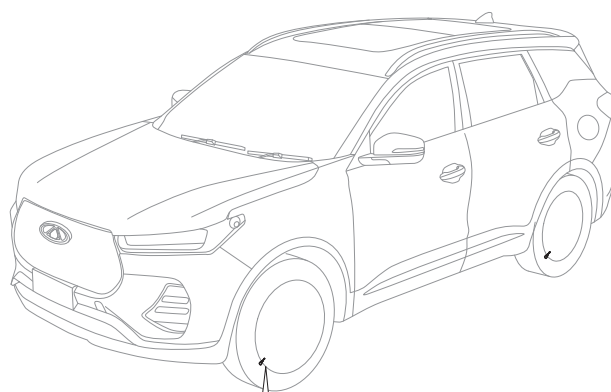
01



02

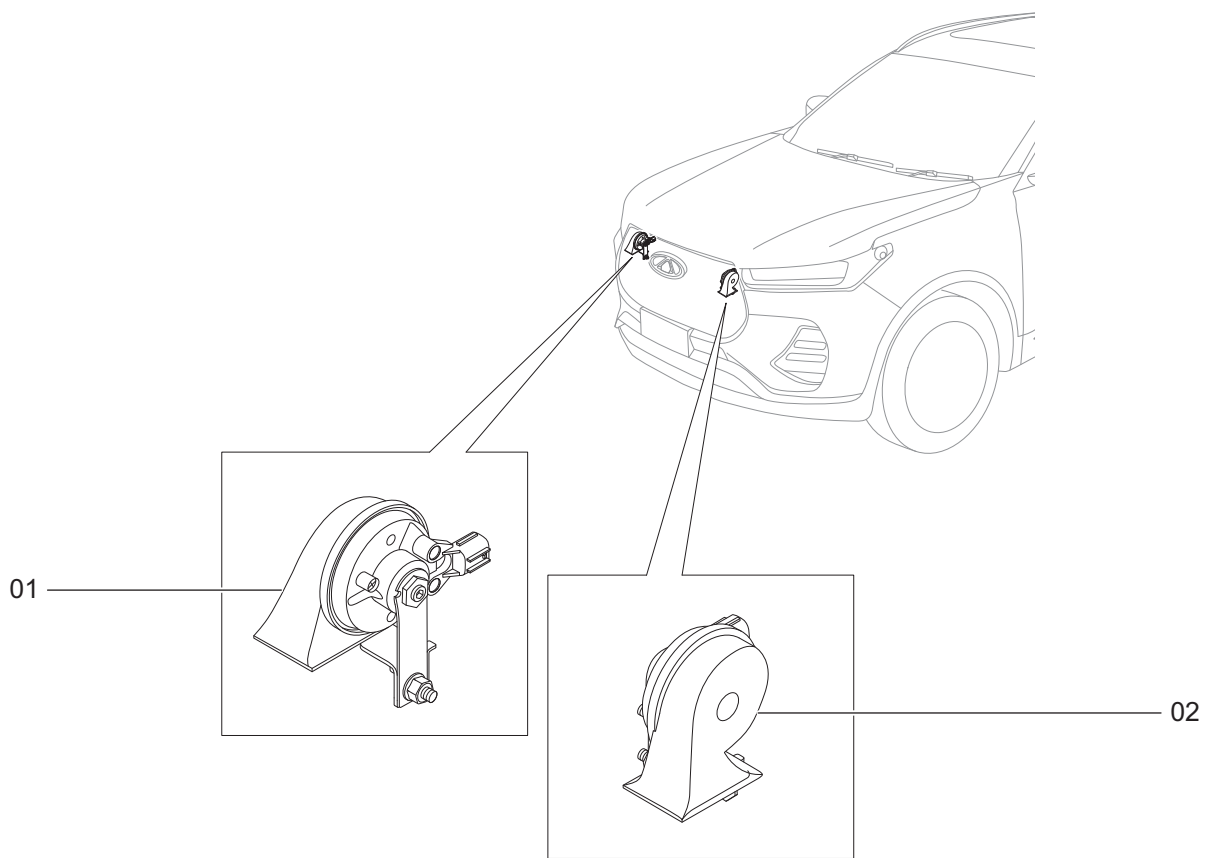
T1E120120

No.	Part No.	Station No.	Station Name	
01	802000071AA	T1EKKK20000712751	Remove and reinstall BCM	
		Ex: T1EKKK10003142701	Remove and reinstall Dashboard LWR protector assy LH	
02	T15-3600050	T1EKKK36000502751	Remove and reinstall Body controller bracket	
		Ex: T1EKKK20000712751	Remove and reinstall BCM	
		Ex: T1EKKK10003142701	Remove and reinstall Dashboard LWR protector assy LH	



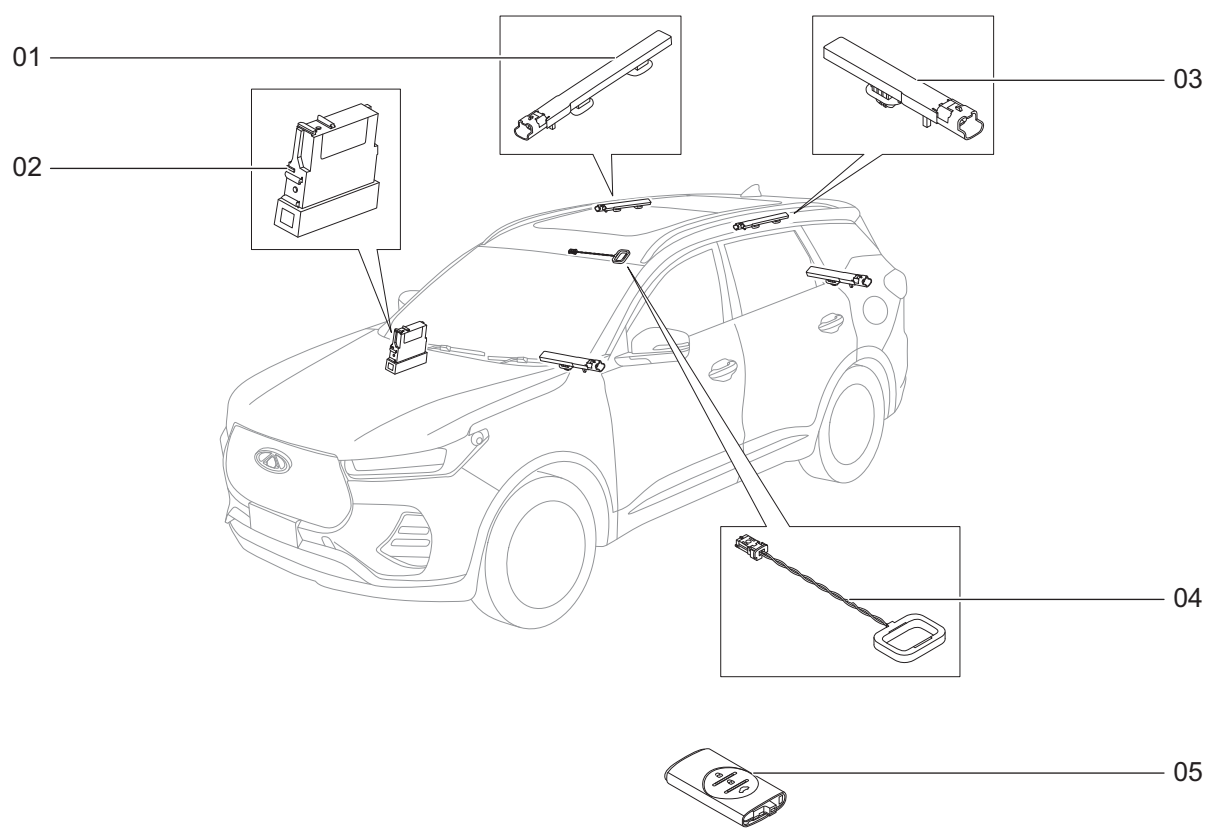
T1E120130

No.	Part No.	Station No.	Station Name	
01	802000012AA	T1EKKK20000122751	Remove and reinstall 1 Tire pressure sensor body	
		Ex: T1EKKK30002042751	Remove and reinstall Aluminum wheel	
		Ex: T1EKKK30002062751	Remove and reinstall 1 Tire assy	
		Ex: T1EKKK00002222701	Remove and reinstall 1 Wheel assy	
		T1EKKK20000122752	Remove and reinstall 2 Tire pressure sensor body	
		Ex: T1EKKK30002042752	Remove and reinstall Aluminum wheel	
		Ex: T1EKKK30002062752	Remove and reinstall 2 Tire assy	
		Ex: T1EKKK00002222702	Remove and reinstall 2 Wheel assy	
		T1EKKK20000122753	Remove and reinstall 3 Tire pressure sensor body	
		Ex: T1EKKK30002042753	Remove and reinstall Aluminum wheel	
		Ex: T1EKKK30002062753	Remove and reinstall 3 Tire assy	
		Ex: T1EKKK00002222703	Remove and reinstall 3 Wheel assy	
		T1EKKK20000122754	Remove and reinstall 4 Tire pressure sensor body	
		Ex: T1EKKK30002042754	Remove and reinstall Aluminum wheel	
		Ex: T1EKKK30002062754	Remove and reinstall 4 Tire assy	
		Ex: T1EKKK00002222704	Remove and reinstall 4 Wheel assy	
02	802000013AA	T1EKKK20000132751	Remove and reinstall 1 Tire pressure sensor nut	
		Ex: T1EKKK30002042751	Remove and reinstall Aluminum wheel	
		Ex: T1EKKK30002062751	Remove and reinstall 1 Tire assy	
		Ex: T1EKKK00002222701	Remove and reinstall 1 Wheel assy	
		T1EKKK20000132752	Remove and reinstall 2 Tire pressure sensor nut	
		Ex: T1EKKK30002042752	Remove and reinstall Aluminum wheel	
		Ex: T1EKKK30002062752	Remove and reinstall 2 Tire assy	
		Ex: T1EKKK00002222702	Remove and reinstall 2 Wheel assy	
		T1EKKK20000132753	Remove and reinstall 3 Tire pressure sensor nut	
		Ex: T1EKKK30002042753	Remove and reinstall Aluminum wheel	
		Ex: T1EKKK30002062753	Remove and reinstall 3 Tire assy	
		Ex: T1EKKK00002222703	Remove and reinstall 3 Wheel assy	
		T1EKKK20000132754	Remove and reinstall 4 Tire pressure sensor nut	
		Ex: T1EKKK30002042754	Remove and reinstall Aluminum wheel	
		Ex: T1EKKK30002062754	Remove and reinstall 4 Tire assy	
		Ex: T1EKKK00002222704	Remove and reinstall 4 Wheel assy	



T1E120140

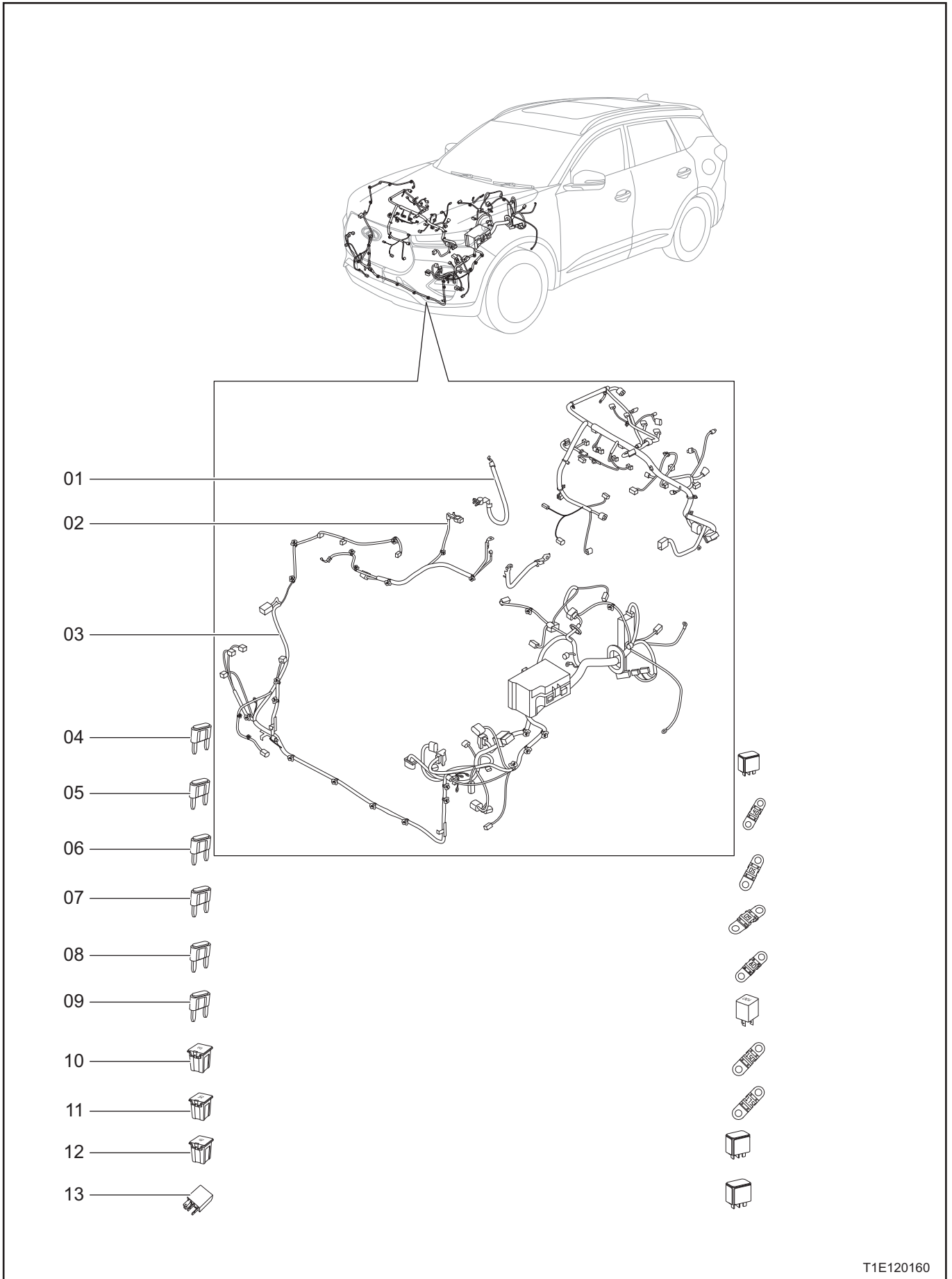
No.	Part No.	Station No.	Station Name	
01	J68-3721020	T1EKKK37210202751	Remove and reinstall Woofer assy	
		Ex: T1EKKK20005862701	Remove and reinstall FR bumper body assy	
02	J68-3721010	T1EKKK37210102751	Remove and reinstall High pitch horn	
		Ex: T1EKKK20005862701	Remove and reinstall FR bumper body assy	



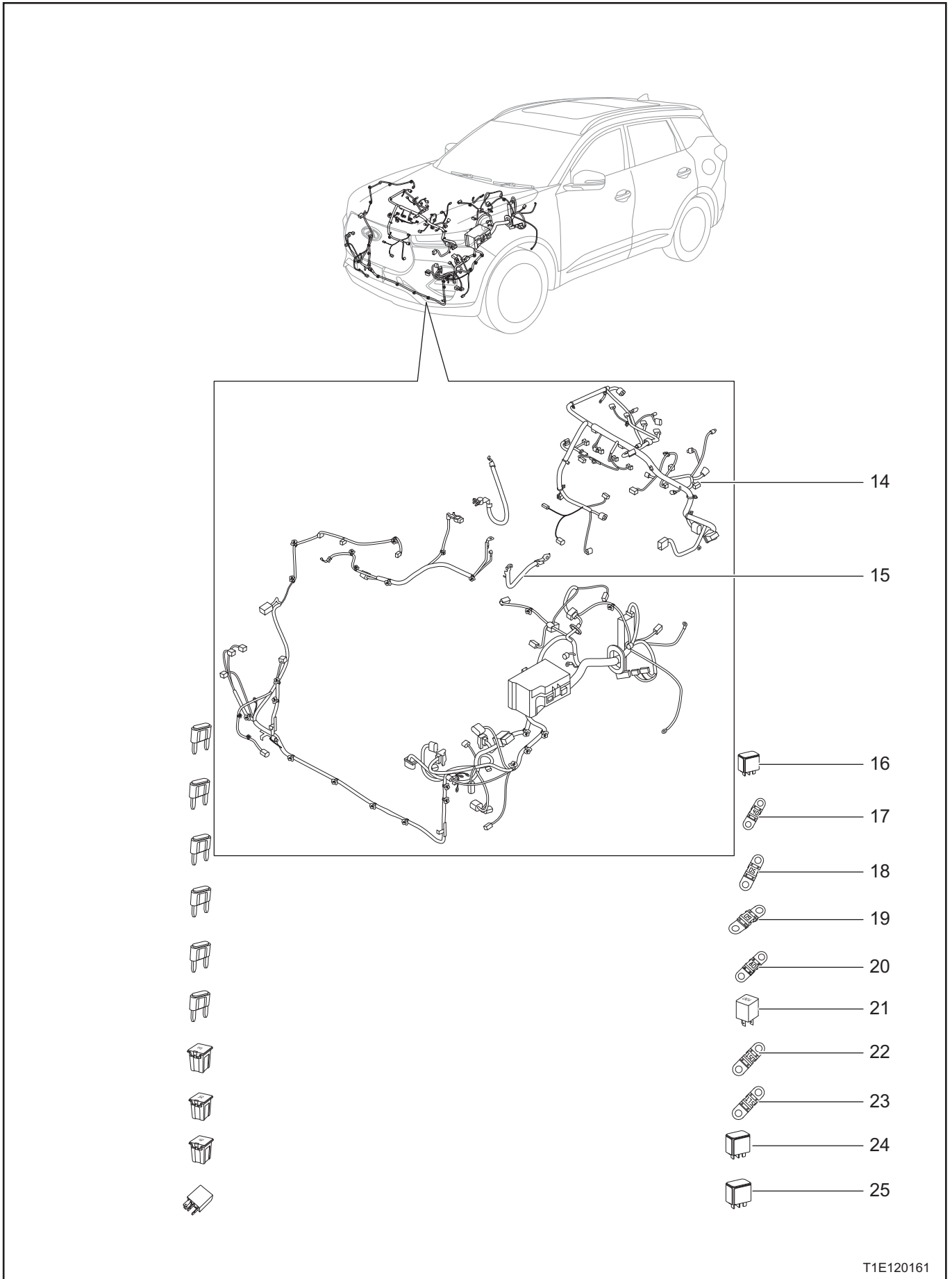
T1E120150



No.	Part No.	Station No.	Station Name
01	804000027AA	T1EKKK40000272751	Remove and reinstall High performance and low frequency antenna (FR door LH)
		Ex: T1EKKK30014172701	Remove and reinstall RR door protector assy LH
		T1EKKK40000272761	Remove and reinstall High performance and low frequency antenna (RR door RH)
		Ex: T1EKKK30014182701	Remove and reinstall RR door protector assy RH
02	804000031AA	T1EKKK40000312751	Remove and reinstall Passive entry and start controller
		Ex: T1EKKK10003112701	Remove and reinstall Glove box assy
03	J28-3600211	T1EKKK36002112751	Remove and reinstall Low frequency antenna (auxiliary fascia console body)
		Ex: T1EKKK10011252701	Remove and reinstall Auxiliary dashboard assy
		T1EKKK36002112711	Remove and reinstall Low frequency antenna (RR bumper)
		Ex: T1EKKK20006092701	Remove and reinstall RR bumper body assy
04	J28-3600021	T1EKKK36000212751	Remove and reinstall Immobilizer coil
		Ex: T1EKKK10011252701	Remove and reinstall Auxiliary dashboard assy
05	804000113AA	T1EKKK40001133701	Replace Remote controller (including matching)

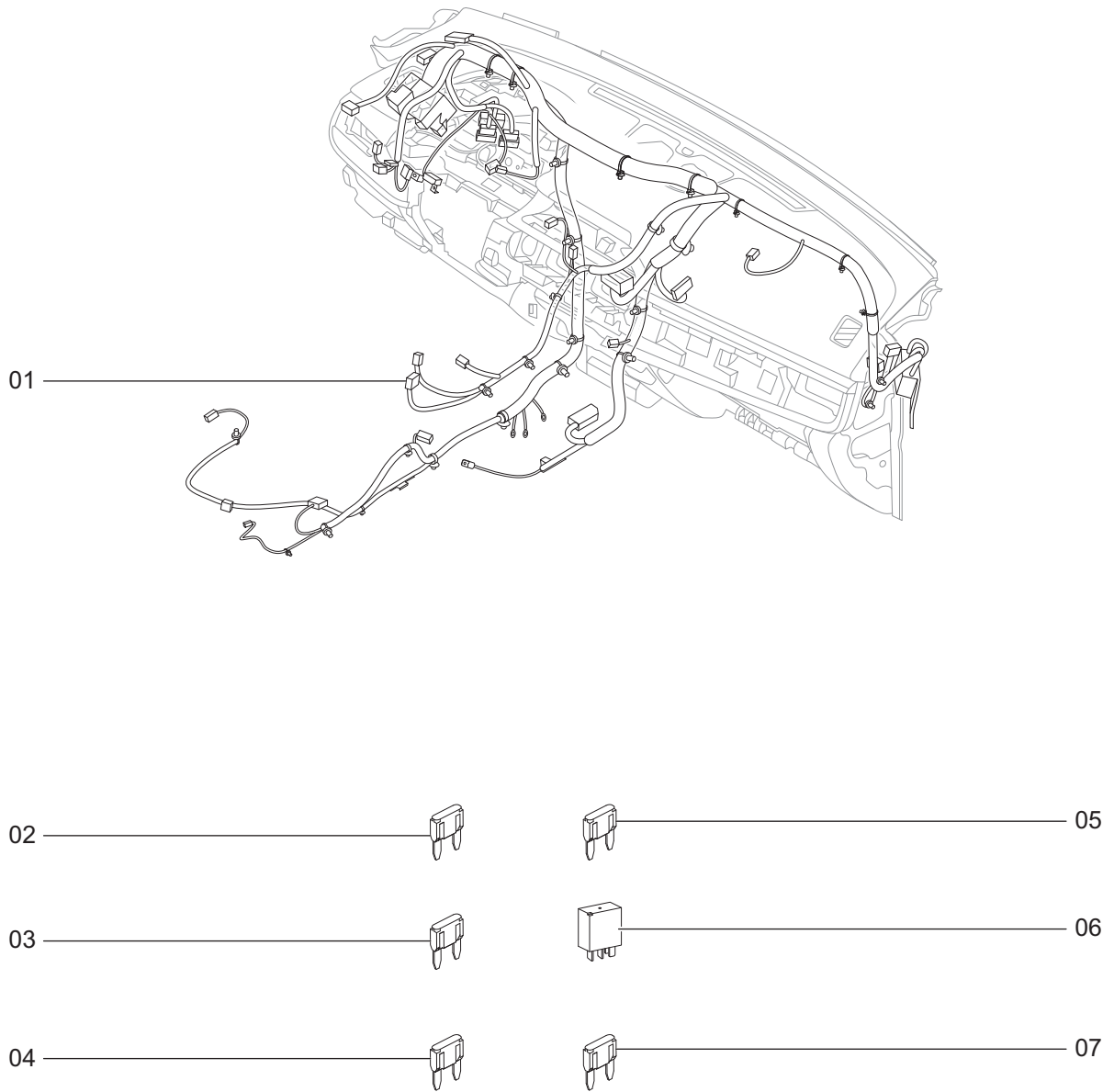


No.	Part No.	Station No.	Station Name	
01	806001969AA	T1EKKK60019692701	Remove and reinstall Battery negative wire harness assy	
02	806001223AA	T1EKKK60012232701	Remove and reinstall Battery positive wire harness assy	
	806002861AA	T1EKKK60028612701	Remove and reinstall Battery positive wire harness assy	
03	806001030AA	T1EKKK60010302751	Remove and reinstall FR bumper wire harness	
		Ex: T1EKKK20005862701	Remove and reinstall FR bumper body assy	
	806001205AA	T1EKKK60012052751	Remove and reinstall FR bumper wire harness	
		Ex: T1EKKK20005862701	Remove and reinstall FR bumper body assy	
04	A11-3722011BB	T1EKKK37220112701	Remove and reinstall MINI type plug-in fuse (engine compartment fuse and relay box)	
05	A11-3722013BB	T1EKKK37220132701	Remove and reinstall MINI type plug-in fuse (engine compartment fuse and relay box)	
06	A11-3722015BB	T1EKKK37220152701	Remove and reinstall MINI type plug-in fuse (engine compartment fuse and relay box)	
07	A11-3722017BB	T1EKKK37220172701	Remove and reinstall MINI type plug-in fuse (engine compartment fuse and relay box)	
08	A11-3722019BB	T1EKKK37220192701	Remove and reinstall MINI type plug-in fuse (engine compartment fuse and relay box)	
09	A11-3722021BB	T1EKKK37220212701	Remove and reinstall MINI type plug-in fuse (engine compartment fuse and relay box)	
10	A11-3722019BC	T1EKKK37220192711	Remove and reinstall Fuse box (engine compartment fuse and relay box)	
11	A11-3722017BC	T1EKKK37220172721	Remove and reinstall Fuse box (engine compartment fuse and relay box)	
12	A11-3722023BC	T1EKKK37220232701	Remove and reinstall Fuse box (engine compartment fuse and relay box)	
13	T17-3735030HF	T1EKKK37350302701	Remove and reinstall Relay (engine compartment fuse and relay box)	



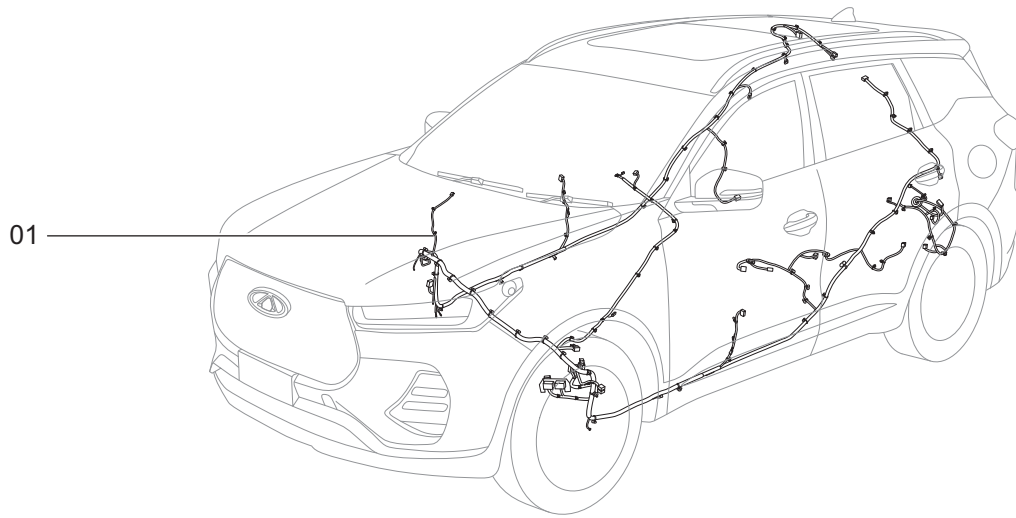
T1E120161

No.	Part No.	Station No.	Station Name
14	806001009AA	T1EKKK60010092701	Remove and reinstall Engine electronic wire harness assy
	806002860AA	T1EKKK60028602701	Remove and reinstall Engine electronic wire harness assy
15	806001222AA	T1EKKK60012222751	Remove and reinstall Ground wire harness assy (CVT)
		Ex: T1EKKK11091102701	Remove and reinstall Air filter assy
	806002864AA	T1EKKK60028642751	Remove and reinstall Ground wire harness assy
		Ex: T1EKKK11091102701	Remove and reinstall Air filter assy
16	T17-3735040HF	T1EKKK37350402701	Remove and reinstall Relay (engine compartment fuse and relay box)
17	A11-3722023BG	T1EKKK37220232711	Remove and reinstall MIDI type fuse (engine compartment fuse and relay box)
18	A11-3722027BG	T1EKKK37220272701	Remove and reinstall MIDI type fuse (engine compartment fuse and relay box)
19	A11-3722029BG	T1EKKK37220292701	Remove and reinstall MIDI type fuse (engine compartment fuse and relay box)
20	A11-3722032BI	T1EKKK37220322701	Remove and reinstall MIDI type fuse (engine compartment fuse and relay box)
21	T17-3735070HF	T1EKKK37350702701	Remove and reinstall Relay (engine compartment fuse and relay box)
22	A11-3722041BI	T1EKKK37220412701	Remove and reinstall MIDI type fuse (engine compartment fuse and relay box)
23	A11-3722042BG	T1EKKK37220422701	Remove and reinstall MIDI type fuse (engine compartment fuse and relay box)
24	T17-3735033HF	T1EKKK37350332701	Remove and reinstall Relay (engine compartment fuse and relay box)
25	T17-3735032HF	T1EKKK37350322701	Remove and reinstall Relay (engine compartment fuse and relay box)



T1E120170

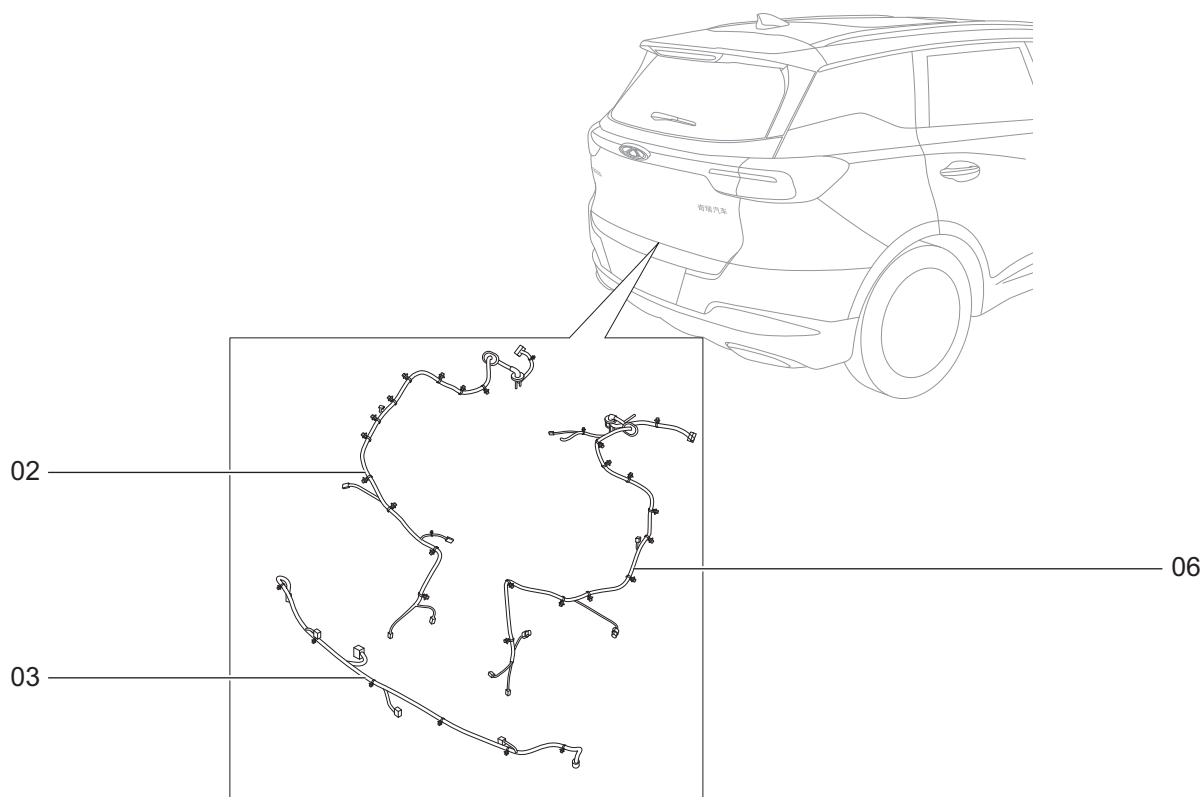
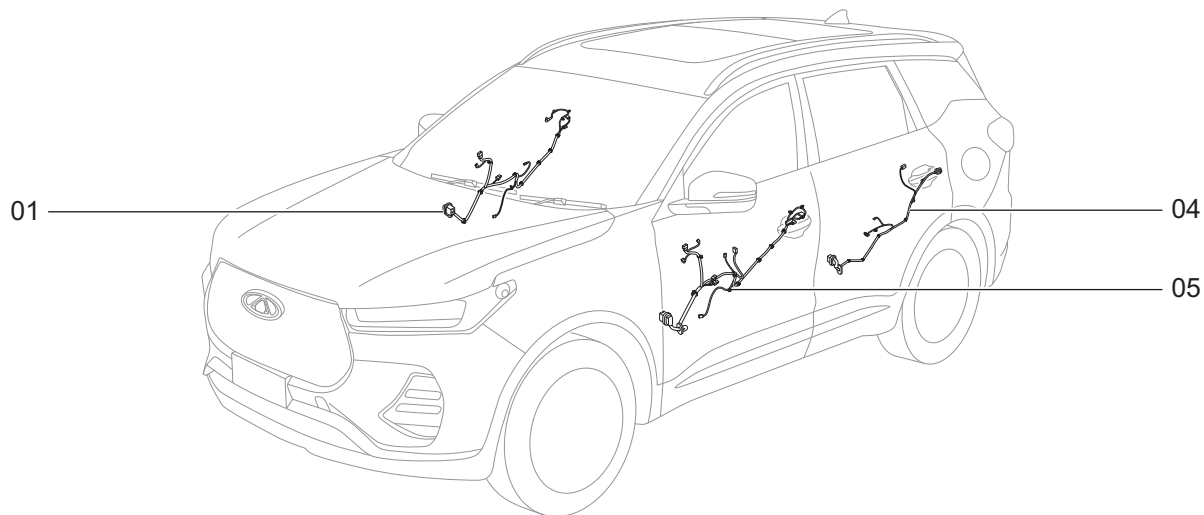
No.	Part No.	Station No.	Station Name
01	806001014AA	T1EKKK60010142751	Remove and reinstall dashboard wire harness assy
		Ex: T1EKKK10008672751	Remove and reinstall dashboard assy
	806001183AA	Ex: T1EKKK10011252701	Remove and reinstall Auxiliary dashboard assy
		T1EKKK60011832751	Remove and reinstall dashboard wire harness assy
		Ex: T1EKKK10008672751	Remove and reinstall dashboard assy
		Ex: T1EKKK10011252701	Remove and reinstall Auxiliary dashboard assy
02	A11-3722011BB	T1EKKK37220112711	Remove and reinstall MINI type plug-in fuse (instrument panel fuse and relay box)
03	A11-3722013BB	T1EKKK37220132711	Remove and reinstall MINI type plug-in fuse (instrument panel fuse and relay box)
04	A11-3722015BB	T1EKKK37220152711	Remove and reinstall MINI type plug-in fuse (instrument panel fuse and relay box)
05	A11-3722017BB	T1EKKK37220172711	Remove and reinstall MINI type plug-in fuse (instrument panel fuse and relay box)
06	T17-3735030HF	T1EKKK37350302711	Remove and reinstall Relay (instrument panel fuse and relay box)
07	A11-3722021BB	T1EKKK37220212711	Remove and reinstall MINI type plug-in fuse (instrument panel fuse and relay box)



T1E120180

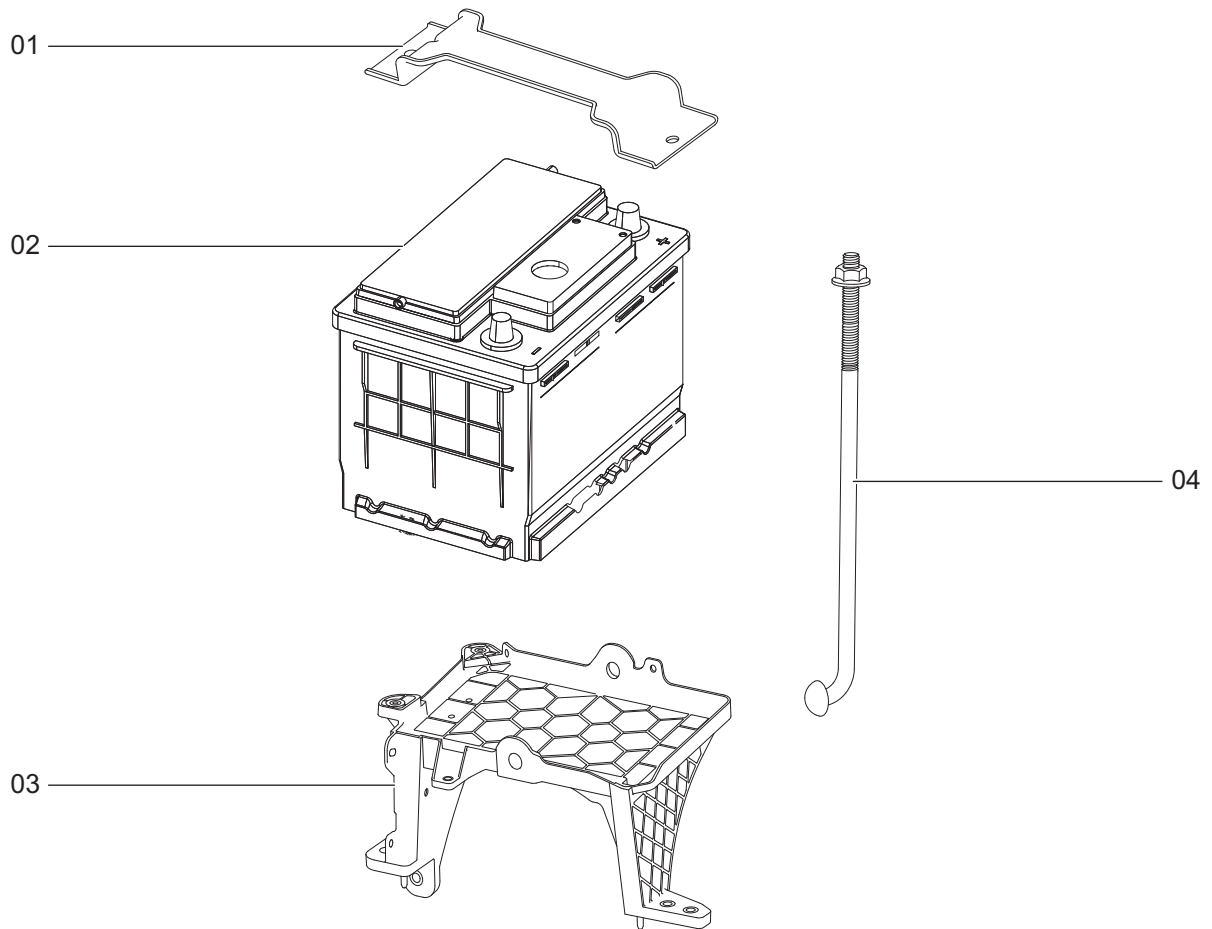


No.	Part No.	Station No.	Station Name	
01	806001022AA	T1EKKK6001022701	Remove and reinstall Cab floor wiring harness	
	806001195AA	T1EKKK60011952701	Remove and reinstall Cab floor wiring harness	



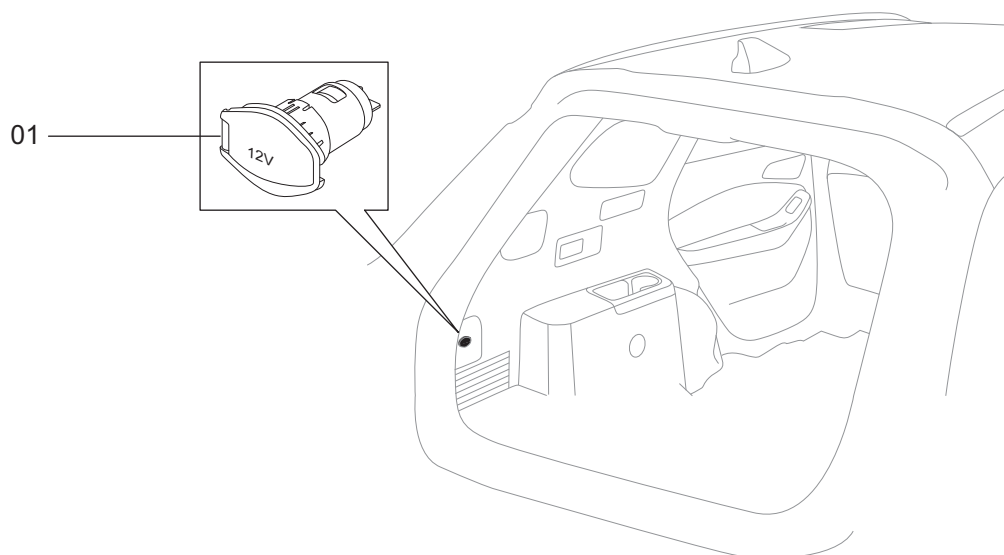
T1E120190

No.	Part No.	Station No.	Station Name	
01	806001042AA	T1EKKK60010422751	Remove and reinstall FR door wiring harness RH	
		Ex: T1EKKK30028002701	Remove and reinstall FR door protector with switch assy RH	
	806001218AA	T1EKKK60012182751	Remove and reinstall FR door wiring harness RH	
		Ex: T1EKKK30028002701	Remove and reinstall FR door protector with switch assy RH	
02	806001084AA	T1EKKK60010842751	Remove and reinstall Back door wire harness LH	
		Ex: T1EKKK30001282751	Remove and reinstall Back door LWR protector assy	
		Ex: T1EKKK30001272751	Remove and reinstall Back door protector assy RH	
		Ex: T1EKKK30001262751	Remove and reinstall Back door protector assy LH	
		Ex: T1EKKK30001252701	Remove and reinstall Back door UPR protector assy	
03	806001035AA	T1EKKK60010352751	Remove and reinstall RR bumper wire harness assy	
		Ex: T1EKKK20006092701	Remove and reinstall RR bumper body assy	
04	806001045AA	T1EKKK60010452751	Remove and reinstall RR door wiring harness assy LH	
		Ex: T1EKKK30017422701	Remove and reinstall RR door protector with switch assy LH	
05	806001038AA	T1EKKK60010382751	Remove and reinstall FR door wiring harness LH	
		Ex: T1EKKK30027992701	Remove and reinstall FR door protector with switch assy LH	
	806001215AA	T1EKKK60012152751	Remove and reinstall FR door wiring harness LH	
		Ex: T1EKKK30027992701	Remove and reinstall FR door protector with switch assy LH	
06	806001086AA	T1EKKK60010862751	Remove and reinstall Back door wire harness RH	
		Ex: T1EKKK30001282751	Remove and reinstall Back door LWR protector assy	
		Ex: T1EKKK30001272751	Remove and reinstall Back door protector assy RH	
		Ex: T1EKKK30001262751	Remove and reinstall Back door protector assy LH	
		Ex: T1EKKK30001252701	Remove and reinstall Back door UPR protector assy	



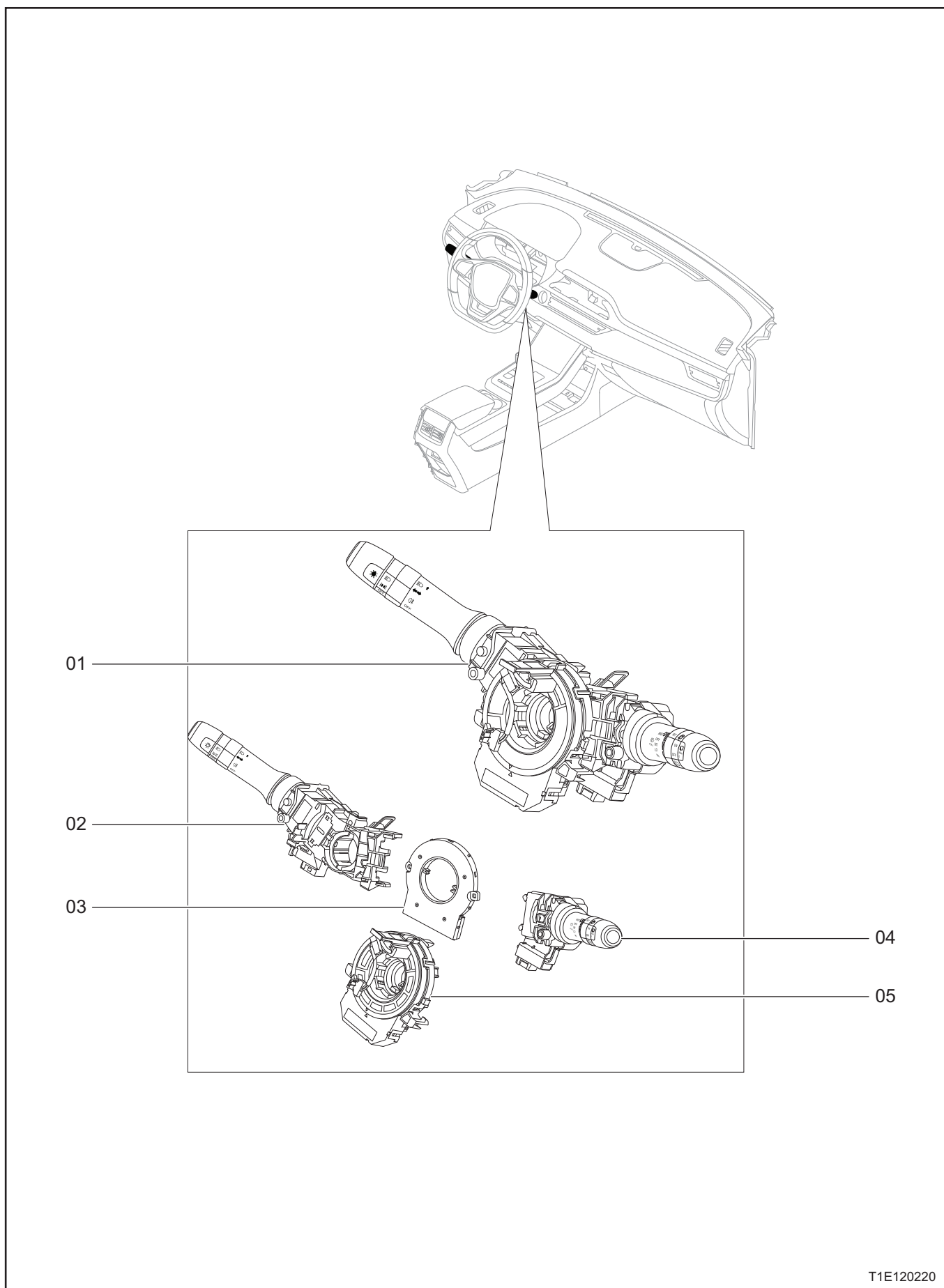
T1E120200

No.	Part No.	Station No.	Station Name	
01	T15-3703015	T1EKKK37030152751	Remove and reinstall Battery pressure plate	
		Ex: T1EKKK37030172701	Remove and reinstall Battery rod	
02	A11-3703010	T1EKKK37030102701	Remove and reinstall Battery	
03	T15-3703011	T1EKKK37030112751	Remove and reinstall Battery tray	
		Ex: T1EKKK37030102701	Remove and reinstall Battery	
04	A21-3703017BA	T1EKKK37030172701	Remove and reinstall Battery rod	



T1E120210

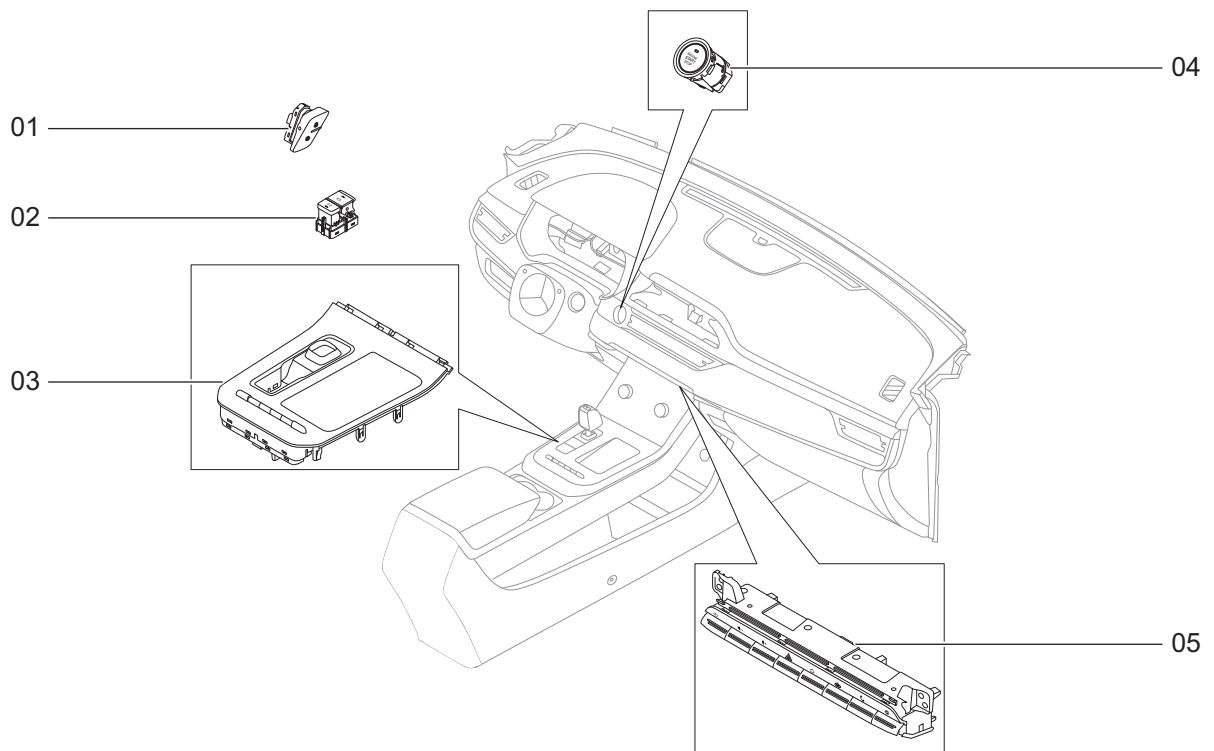
No.	Part No.	Station No.	Station Name	
01	T15-3730010	T1EKKK37300102701	Remove and reinstall SOCKET-BACK-UP POWER	



T1E120220



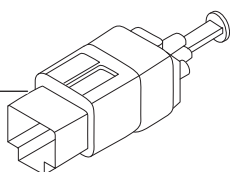
No.	Part No.	Station No.	Station Name	
01	808000281AA	T1EKKK80002812701	Remove and reinstall Combination switch assy	
	808000282AA	T1EKKK80002822701	Remove and reinstall Combination switch assy	
02	808000283AA	T1EKKK80002832701	Remove and reinstall Headlamp turn signal fog lamp switch	
03	J33-3774170	T1EKKK37741702701	Remove and reinstall Angle sensor	
04	T21-3774130BA	T1EKKK37741302701	Remove and reinstall Wiper switch	
05	J43-3774150	T1EKKK37741502701	Remove and reinstall Spiral cable	



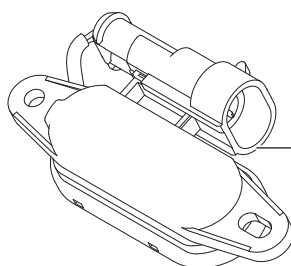
T1E120230

No.	Part No.	Station No.	Station Name	
01	808000234AA	T1EKKK80002342701	Remove and reinstall Central control lock switch	
02	808000218AA	T1EKKK80002182701	Remove and reinstall Electronic parking switch	
03	808000432AA	T1EKKK80004322701	Remove and reinstall Auxiliary dashboard switch and cover plate assy	
04	808000107AA	T1EKKK80001072721	Remove and reinstall PEPS button	
05	808000405AA	T1EKKK80004052701	Remove and reinstall Center console switch assy	

01

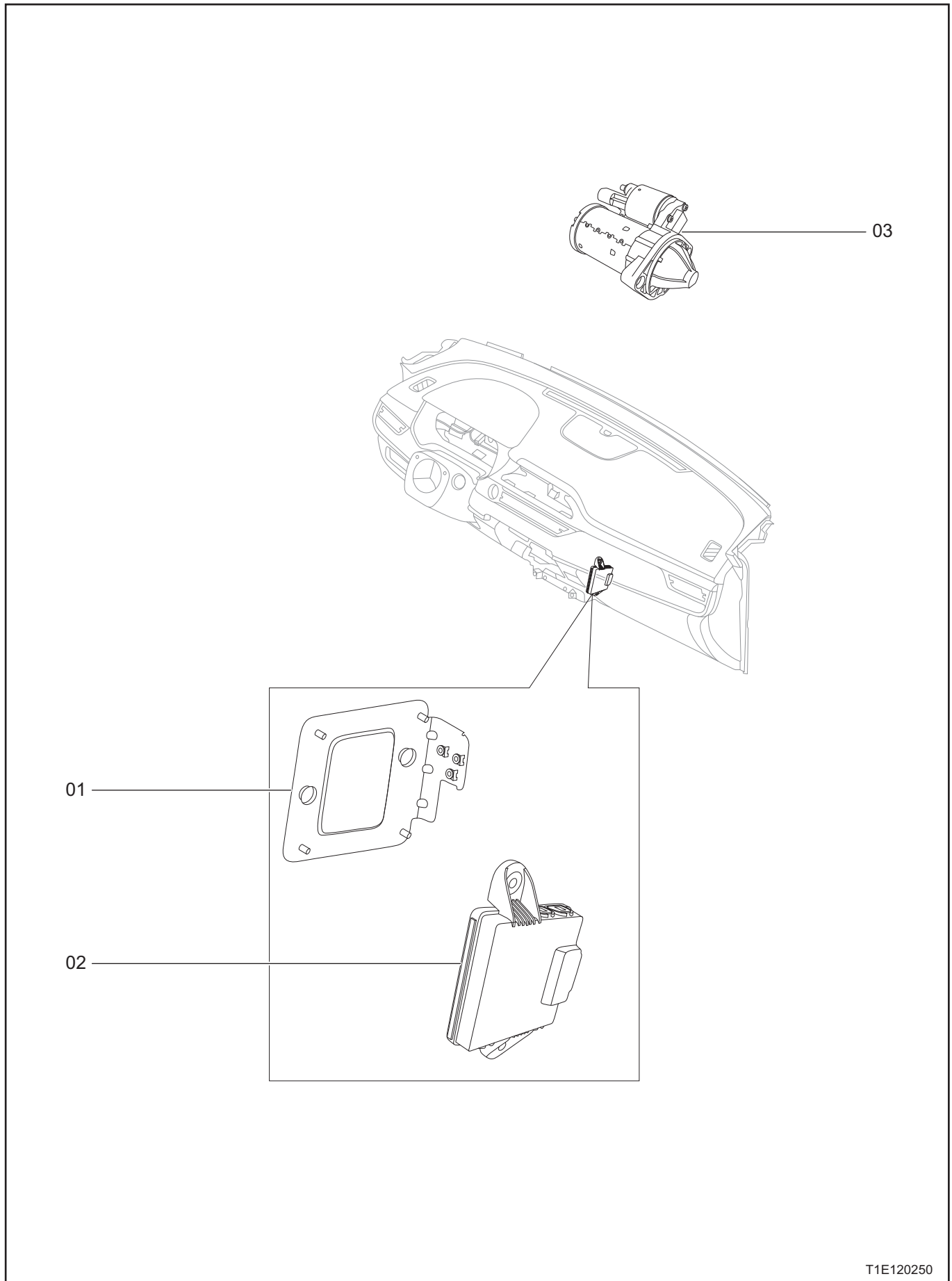


02



T1E120240

No.	Part No.	Station No.	Station Name	
01	B21-3720010BA	T1EKKK37200102701	Remove and reinstall Brake switch	
02	J42-3740150	T1EKKK37401502701	Remove and reinstall Back door switch	



T1E120250

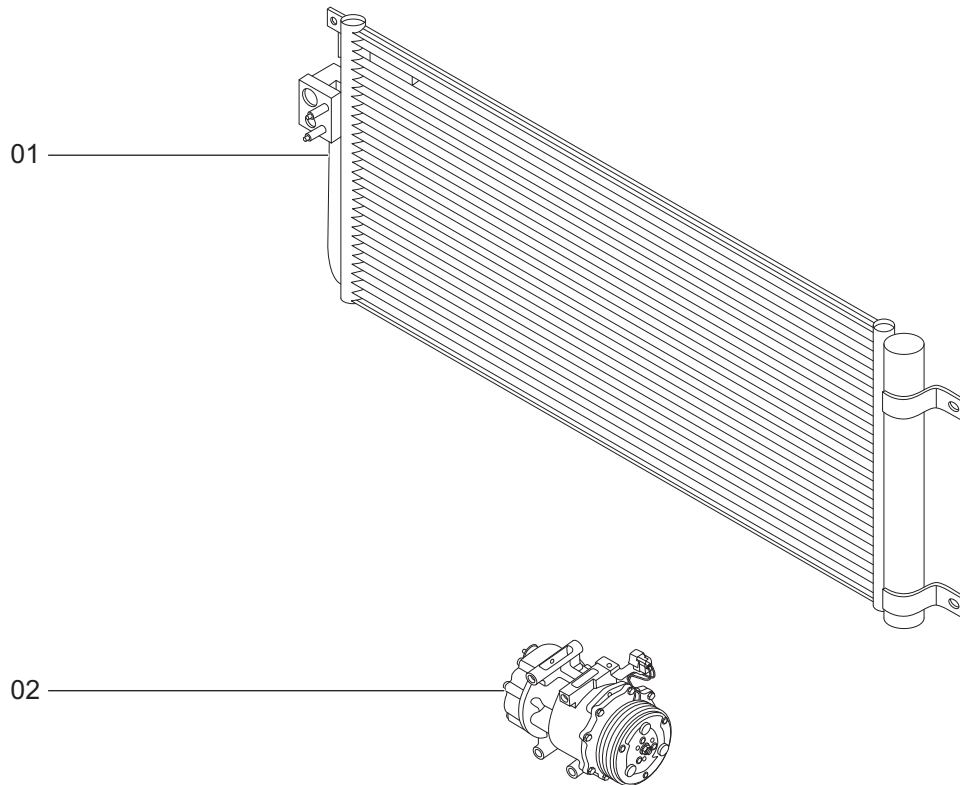
No.	Part No.	Station No.	Station Name	
01	809000034AA	T1EKKK90000342751	Remove and reinstall Central gateway bracket	
		Ex: T1EKKK10003112701	Remove and reinstall Glove box assy	
02	809000027AA	T1EKKK90000272751	Remove and reinstall Central gateway	
		Ex: T1EKKK90000342751	Remove and reinstall Central gateway bracket	
		Ex: T1EKKK10003112701	Remove and reinstall Glove box assy	
03	E4G16-3708010AB	T1EKKK37080102701	Remove and reinstall Starter	





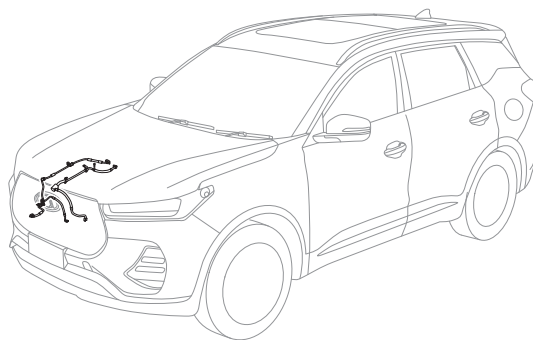
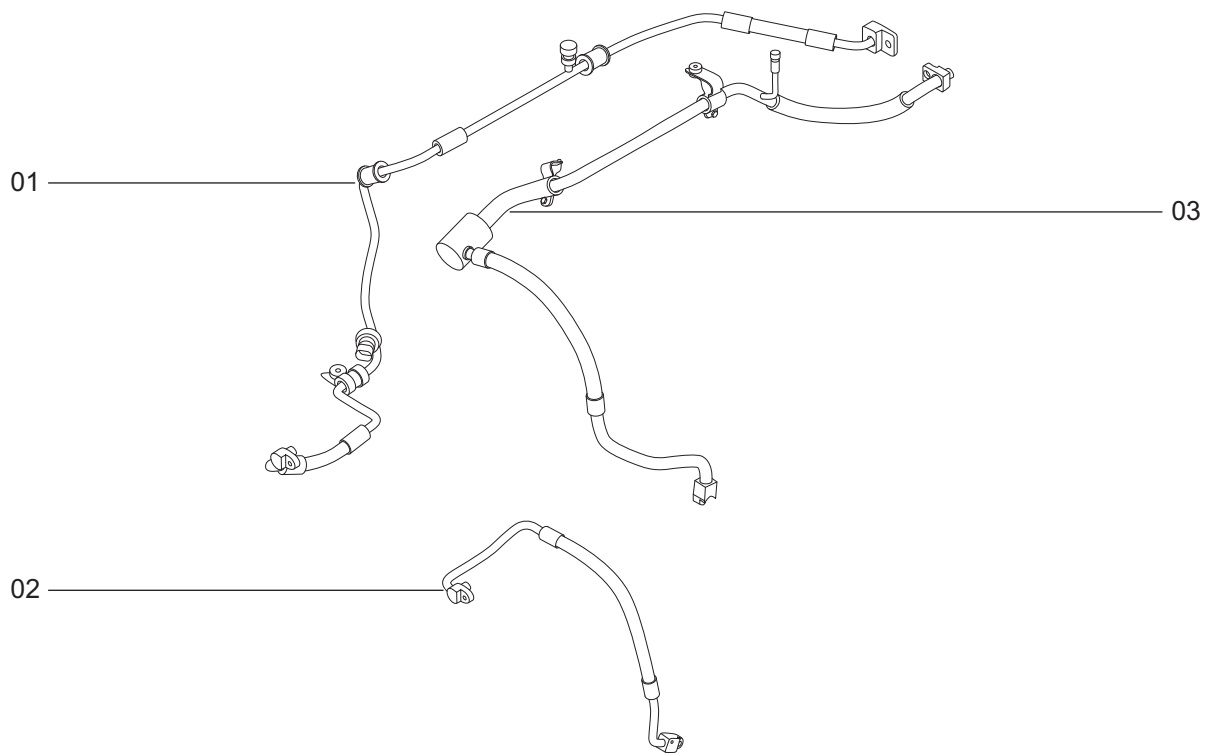
## **HVAC**

<b>Compressor and other refrigeration components .....</b>	<b>13-2</b>
<b>Refrigeration pipeline and components.....</b>	<b>13-4</b>
<b>FR internal A/C control set.....</b>	<b>13-6</b>
<b>FR internal A/C set .....</b>	<b>13-8</b>



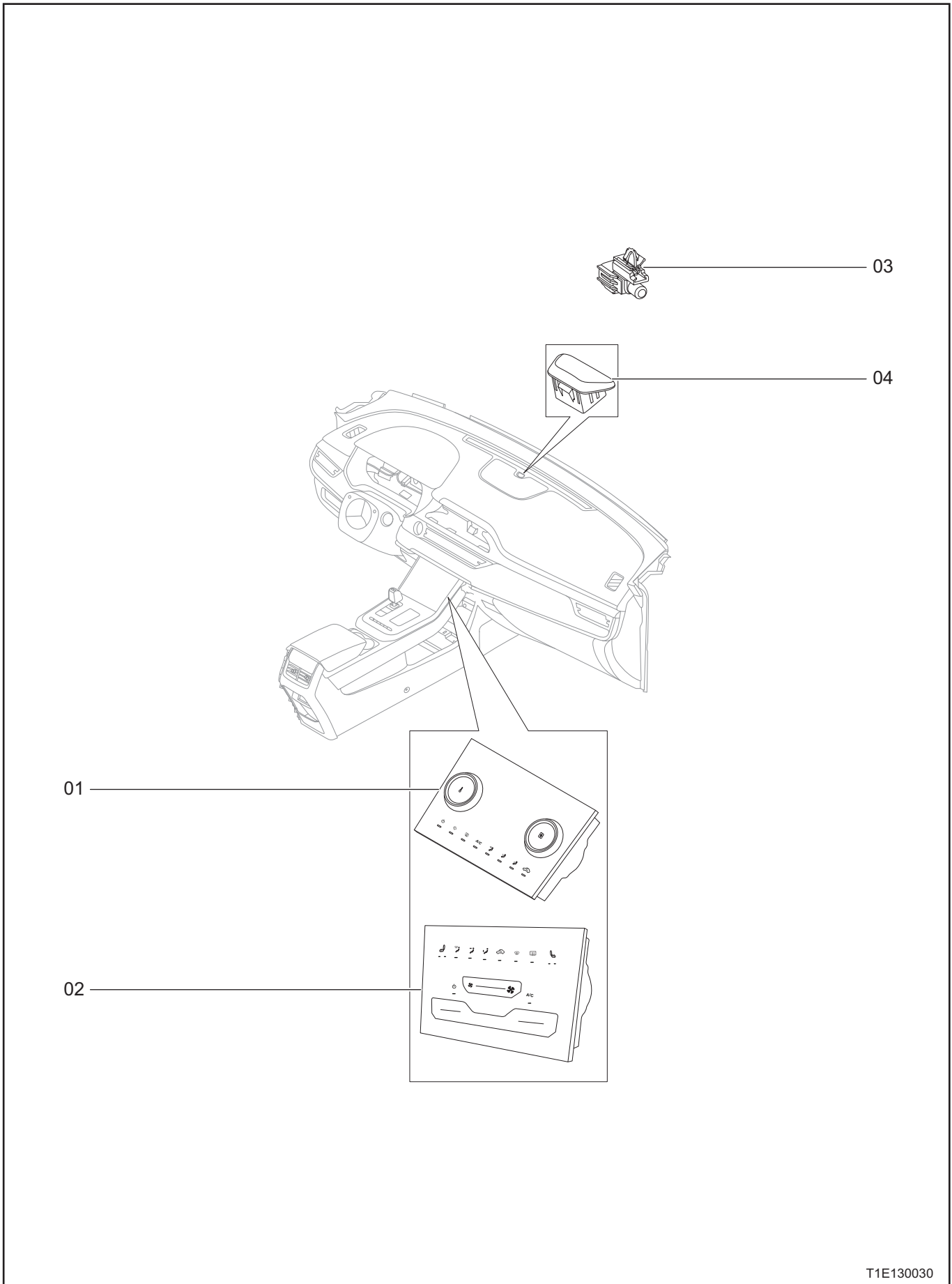
T1E130010

No.	Part No.	Station No.	Station Name	
01	J42-8105010BA	T1EKKK81050102751 Ex: T1EKKK47020112201 Ex: T1EKKK20005862701	Remove and reinstall Condenser assy Drain and fill refrigerant Remove and reinstall FR bumper body assy	
02	301000131AA	T1EKKK10001312751 Ex: T1EKKK47020112201	Remove and reinstall A/C compressor assy Drain and fill refrigerant	



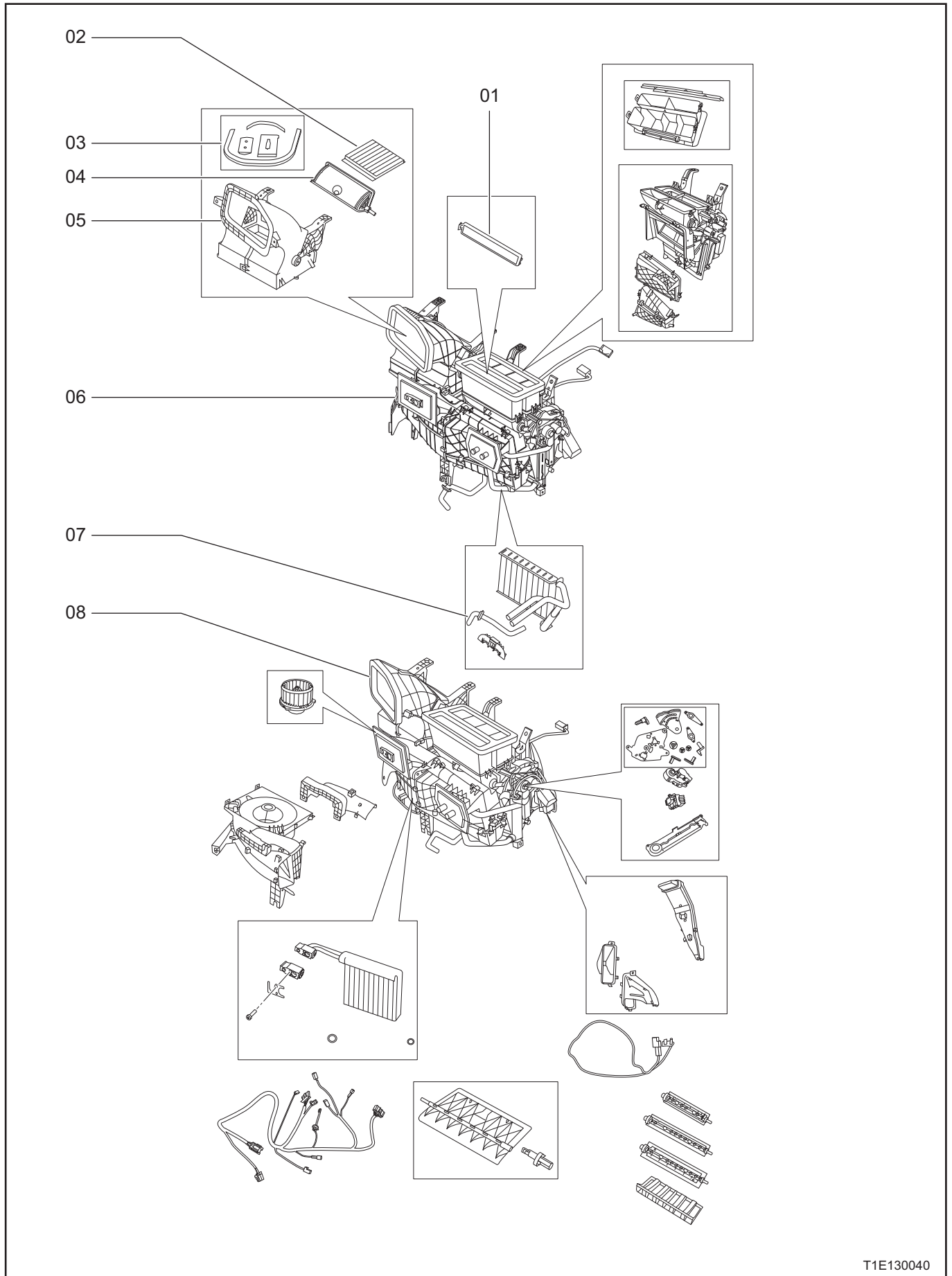
T1E130020

No.	Part No.	Station No.	Station Name	
01	301000353AA	T1EKKK10003532751	Remove and reinstall Condenser - evaporator pipeline assy	
		Ex: T1EKKK47020112201	Drain and fill refrigerant	
		Ex: T1EKKK20005862701	Remove and reinstall FR bumper body assy	
02	301000352AA	T1EKKK10003522751	Remove and reinstall Compressor - condenser pipeline assy	
		Ex: T1EKKK47020112201	Drain and fill refrigerant	
		Ex: T1EKKK20005862701	Remove and reinstall FR bumper body assy	
03	301000351AA	T1EKKK10003512751	Remove and reinstall Evaporator - compressor pipeline assy	
		Ex: T1EKKK47020112201	Drain and fill refrigerant	



T1E130030

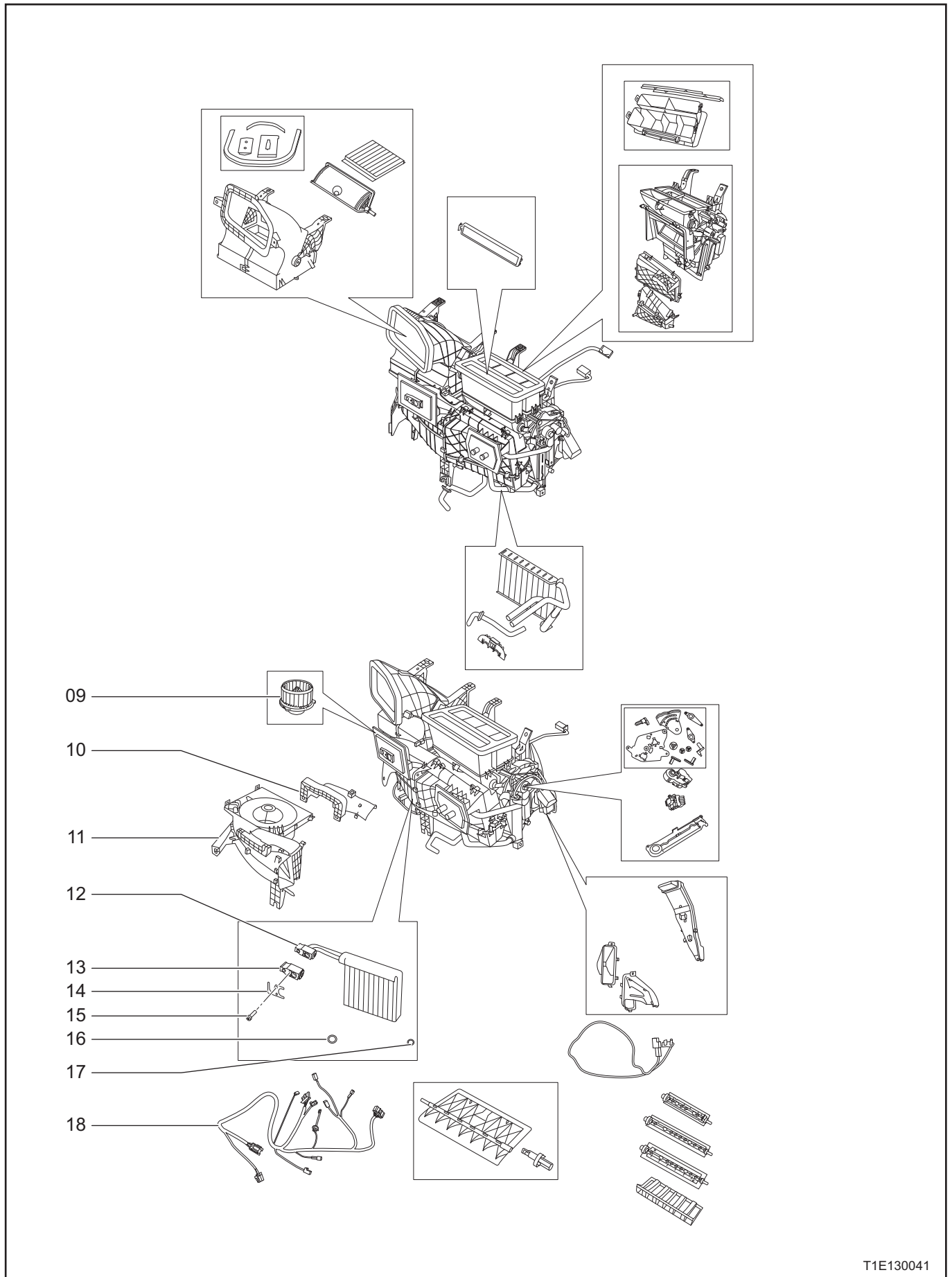
No.	Part No.	Station No.	Station Name	
01	301000414AA	T1EKKK10004142701	Remove and reinstall Electronic A/C control panel assy	
02	301000909AA	T1EKKK10009092701	Remove and reinstall Electronic A/C control panel assy	
03	M14-8112050	T1EKKK81120502751 Ex: T1EKKK20005862701	Remove and reinstall Outside temperature sensor assy Remove and reinstall FR bumper body assy	
04	301000410AA	T1EKKK10004102701	Remove and reinstall Dual solar sensor block cover	



T1E130040

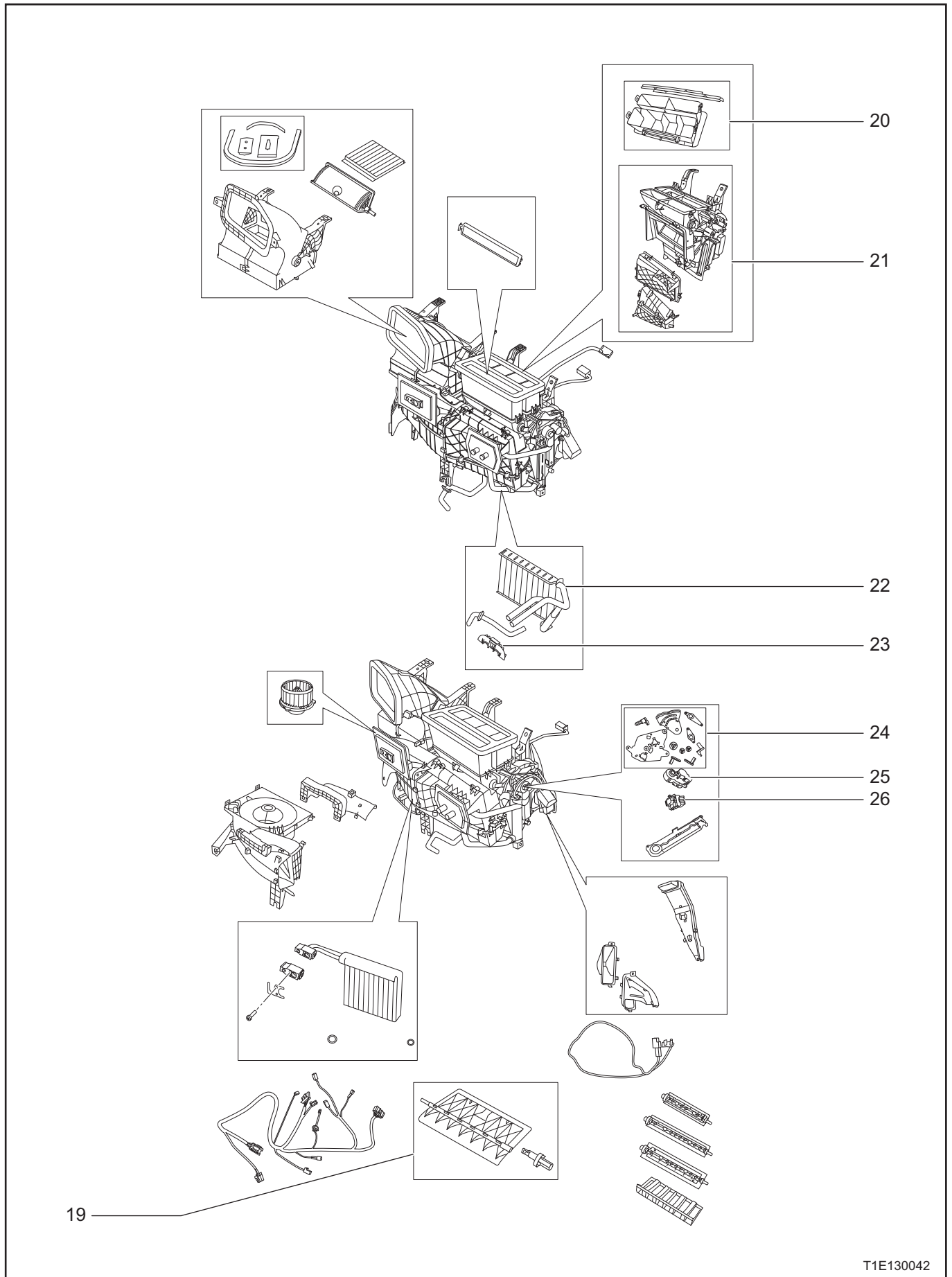


No.	Part No.	Station No.	Station Name	
01	T21-8107016	T1EKKK81070162701	Remove and reinstall Air filter cover	
02	T15-8107011	T1EKKK81070112701	Remove and reinstall Air filter	
03	T15-8107029	T1EKKK81070292751	Remove and reinstall Seal sponge set	
		Ex: T1EKKK10004412751	Remove and reinstall Power HVAC Assy	
		Ex: T1EKKK47020112201	Drain and fill refrigerant	
		Ex: T1EKKK10008672751	Remove and reinstall dashboard assy	
		Ex: T1EKKK10011252701	Remove and reinstall Auxiliary dashboard assy	
04	T21-8107711	T1EKKK81077112751	Remove and reinstall Inner/outer circulation damper set	
		Ex: T1EKKK10004412751	Remove and reinstall Power HVAC Assy	
		Ex: T1EKKK47020112201	Drain and fill refrigerant	
		Ex: T1EKKK10008672751	Remove and reinstall dashboard assy	
		Ex: T1EKKK10011252701	Remove and reinstall Auxiliary dashboard assy	
05	T15-8107015	T1EKKK81070152751	Remove and reinstall Air inlet housing assy	
		Ex: T1EKKK10008672751	Remove and reinstall dashboard assy	
		Ex: T1EKKK10011252701	Remove and reinstall Auxiliary dashboard assy	
06	301000399AA	T1EKKK10003992751	Remove and reinstall Power HVAC Assy	
		Ex: T1EKKK47020112201	Drain and fill refrigerant	
		Ex: T1EKKK10008672751	Remove and reinstall dashboard assy	
		Ex: T1EKKK10011252701	Remove and reinstall Auxiliary dashboard assy	
		T1EKKK10003993651	Disassemble and reassemble Power HVAC Assy	
		Ex: T1EKKK10004412751	Remove and reinstall Power HVAC Assy	
		Ex: T1EKKK47020112201	Drain and fill refrigerant	
		Ex: T1EKKK10008672751	Remove and reinstall dashboard assy	
		Ex: T1EKKK10011252701	Remove and reinstall Auxiliary dashboard assy	
07	T15-8107025	T1EKKK81070252701	Remove and reinstall Evaporator drain pipe	
08	301000441AA	T1EKKK10004412751	Remove and reinstall Power HVAC Assy	
		Ex: T1EKKK47020112201	Drain and fill refrigerant	
		Ex: T1EKKK10008672751	Remove and reinstall dashboard assy	
		Ex: T1EKKK10011252701	Remove and reinstall Auxiliary dashboard assy	
		T1EKKK10004413651	Disassemble and reassemble Power HVAC Assy	
		Ex: T1EKKK10004412751	Remove and reinstall Power HVAC Assy	
		Ex: T1EKKK47020112201	Drain and fill refrigerant	
		Ex: T1EKKK10008672751	Remove and reinstall dashboard assy	
		Ex: T1EKKK10011252701	Remove and reinstall Auxiliary dashboard assy	



T1E130041

No.	Part No.	Station No.	Station Name	
09	T21-8107110	T1EKKK81071102701	Remove and reinstall Heater motor	
10	T15-8107173	T1EKKK81071732751 Ex: T1EKKK10004412751 Ex: T1EKKK47020112201 Ex: T1EKKK10008672751 Ex: T1EKKK10011252701	Remove and reinstall Expansion valve cove plate Remove and reinstall Power HVAC Assy Drain and fill refrigerant Remove and reinstall dashboard assy Remove and reinstall Auxiliary dashboard assy	
11	T15-8107017	T1EKKK81070172751 Ex: T1EKKK10004412751 Ex: T1EKKK47020112201 Ex: T1EKKK10008672751 Ex: T1EKKK10011252701	Remove and reinstall Blower turbine housing assy Remove and reinstall Power HVAC Assy Drain and fill refrigerant Remove and reinstall dashboard assy Remove and reinstall Auxiliary dashboard assy	
12	T15-8107350BA	T1EKKK81073502751 Ex: T1EKKK10004412751 Ex: T1EKKK47020112201 Ex: T1EKKK10008672751 Ex: T1EKKK10011252701	Remove and reinstall Evaporator core assy Remove and reinstall Power HVAC Assy Drain and fill refrigerant Remove and reinstall dashboard assy Remove and reinstall Auxiliary dashboard assy	
13	T21-8107170	T1EKKK81071702751 Ex: T1EKKK47020112201	Remove and reinstall Expansion valve Drain and fill refrigerant	
14	T21-8107172	T1EKKK81071722751 Ex: T1EKKK81071702751 Ex: T1EKKK47020112201	Remove and reinstall Expansion valve fixing clamp plate Remove and reinstall Expansion valve Drain and fill refrigerant	
15	301000359AA	T1EKKK10003592751 Ex: T1EKKK47020112201	Remove and reinstall Expansion valve fixing bolt Drain and fill refrigerant	
16	T21-8107351	T1EKKK81073512701	Remove and reinstall Expansion valve O-ring 1	
17	T21-8107352	T1EKKK81073522701	Remove and reinstall Expansion valve O-ring 2	
18	301000467AA	T1EKKK10004672751 Ex: T1EKKK10006882751 Ex: T1EKKK10008672751 Ex: T1EKKK10011252701	Remove and reinstall Power A/C wiring harness assy Remove and reinstall dashboard crossbeam body assy Remove and reinstall dashboard assy Remove and reinstall Auxiliary dashboard assy	



T1E130042

No.	Part No.	Station No.	Station Name	
19	T21-8107713	T1EKKK81077132751	Remove and reinstall Temperature damper set	
		Ex: T1EKKK10004412751	Remove and reinstall Power HVAC Assy	
		Ex: T1EKKK47020112201	Drain and fill refrigerant	
		Ex: T1EKKK10008672751	Remove and reinstall dashboard assy	
		Ex: T1EKKK10011252701	Remove and reinstall Auxiliary dashboard assy	
20	T15-8107080BA	T1EKKK81070802751	Remove and reinstall Automatic transition air duct with sponge	
		Ex: T1EKKK10004412751	Remove and reinstall Power HVAC Assy	
		Ex: T1EKKK47020112201	Drain and fill refrigerant	
		Ex: T1EKKK10008672751	Remove and reinstall dashboard assy	
		Ex: T1EKKK10011252701	Remove and reinstall Auxiliary dashboard assy	
21	T15-8107070	T1EKKK81070702751	Remove and reinstall Power dispatcher housing assy	
		Ex: T1EKKK10004412751	Remove and reinstall Power HVAC Assy	
		Ex: T1EKKK47020112201	Drain and fill refrigerant	
		Ex: T1EKKK10008672751	Remove and reinstall dashboard assy	
		Ex: T1EKKK10011252701	Remove and reinstall Auxiliary dashboard assy	
22	T15-8107130	T1EKKK81071302751	Remove and reinstall Heater core assy	
		Ex: T1EKKK10004412751	Remove and reinstall Power HVAC Assy	
		Ex: T1EKKK47020112201	Drain and fill refrigerant	
		Ex: T1EKKK10008672751	Remove and reinstall dashboard assy	
		Ex: T1EKKK10011252701	Remove and reinstall Auxiliary dashboard assy	
23	T15-8107175	T1EKKK81071752751	Remove and reinstall Heater water pipe cover plate	
		Ex: T1EKKK10004412751	Remove and reinstall Power HVAC Assy	
		Ex: T1EKKK47020112201	Drain and fill refrigerant	
		Ex: T1EKKK10008672751	Remove and reinstall dashboard assy	
		Ex: T1EKKK10011252701	Remove and reinstall Auxiliary dashboard assy	
24	T15-8107750	T1EKKK81077502751	Remove and reinstall Mode damper adjustment mechanism	
		Ex: T1EKKK10004412751	Remove and reinstall Power HVAC Assy	
		Ex: T1EKKK47020112201	Drain and fill refrigerant	
		Ex: T1EKKK10008672751	Remove and reinstall dashboard assy	
		Ex: T1EKKK10011252701	Remove and reinstall Auxiliary dashboard assy	
25	T21-8107115	T1EKKK81071152701	Remove and reinstall Circulation motor	
26	T21-8107031	T1EKKK81070312701	Remove and reinstall Electronic governor module	



No.	Part No.	Station No.	Station Name	
27	T21-8107177	T1EKKK81071772731	Remove and reinstall Heater fixing cover plate	
		Ex: T1EKKK10004412751	Remove and reinstall Power HVAC Assy	
		Ex: T1EKKK47020112201	Drain and fill refrigerant	
		Ex: T1EKKK10008672751	Remove and reinstall dashboard assy	
		Ex: T1EKKK10011252701	Remove and reinstall Auxiliary dashboard assy	
28	J68-8107177	T1EKKK81071772751	Remove and reinstall RR face air duct assy	
		Ex: T1EKKK10011252701	Remove and reinstall Auxiliary dashboard assy	
29	T15-8107860	T1EKKK81078602701	Remove and reinstall Foot blow guard LH	
30	T15-8107865	T1EKKK81078652701	Remove and reinstall Foot blow guard RH	
31	T21-8107041	T1EKKK81070412751	Remove and reinstall Evaporator temperature sensor	
		Ex: T1EKKK81073502751	Remove and reinstall Evaporator core assy	
		Ex: T1EKKK10004412751	Remove and reinstall Power HVAC Assy	
		Ex: T1EKKK47020112201	Drain and fill refrigerant	
		Ex: T1EKKK10008672751	Remove and reinstall dashboard assy	
		Ex: T1EKKK10011252701	Remove and reinstall Auxiliary dashboard assy	
32	T21-8107715	T1EKKK81077152751	Remove and reinstall Face damper set	
		Ex: T1EKKK10004412751	Remove and reinstall Power HVAC Assy	
		Ex: T1EKKK47020112201	Drain and fill refrigerant	
		Ex: T1EKKK10008672751	Remove and reinstall dashboard assy	
		Ex: T1EKKK10011252701	Remove and reinstall Auxiliary dashboard assy	
33	T21-8107717	T1EKKK81077172751	Remove and reinstall Defroster damper set	
		Ex: T1EKKK10004412751	Remove and reinstall Power HVAC Assy	
		Ex: T1EKKK47020112201	Drain and fill refrigerant	
		Ex: T1EKKK10008672751	Remove and reinstall dashboard assy	
		Ex: T1EKKK10011252701	Remove and reinstall Auxiliary dashboard assy	
34	T21-8107719	T1EKKK81077192751	Remove and reinstall Foot damper set	
		Ex: T1EKKK10004412751	Remove and reinstall Power HVAC Assy	
		Ex: T1EKKK47020112201	Drain and fill refrigerant	
		Ex: T1EKKK10008672751	Remove and reinstall dashboard assy	
		Ex: T1EKKK10011252701	Remove and reinstall Auxiliary dashboard assy	
35	T21-8107179	T1EKKK81071792751	Remove and reinstall Guide plate	
		Ex: T1EKKK20005862701	Remove and reinstall FR bumper body assy	





# MAINTENANCE

Maintenance.....	14-2
------------------	------

No.	Part No.	Station No.	Station Name
01		T1EKKK10000001200	Four-wheel alignment
02		T1EKKK10000001201	FR wheel alignment
03		T1EKKK10000001202	RR wheel alignment
04		T1EKKK10000001600	First-time maintenance
05		T1EKKK10000001610	Every 15000 KM
06		T1EKKK10000001620	Every 30000 KM
07		T1EKKK10000001630	Every 5000 KM
08		T1EKKK1KD40043701	Replace transmission gear oil
09		T1EKKK40060113701	Replace engine lubricant
10		T1EKKK47031112021	Drain and fill brake fluid
11		T1EKKK50000009501	Body part paint handling
12		T1EKKK47031112201	Apply clutch hydraulic pressure and bleed
13		T1EKKK40402732701	Add window washer fluid
14		T1EKKK20000002201	Bleed clutch
15	A11-4702011AB	T1EKKK47020112201	Drain and fill refrigerant
16	T21-4704115	T1EKKK47041152101	Fill antifreeze coolant
17		T1EKKK47041152201	Drain and fill antifreeze coolant
18	9009011085	T1EDHB90110853701	Replace dual clutch transmission OIL (7DCT) 1L